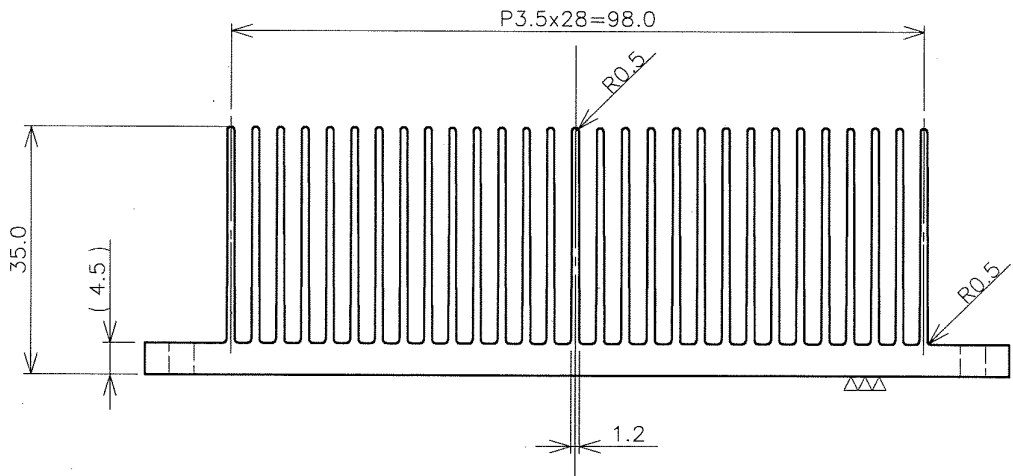
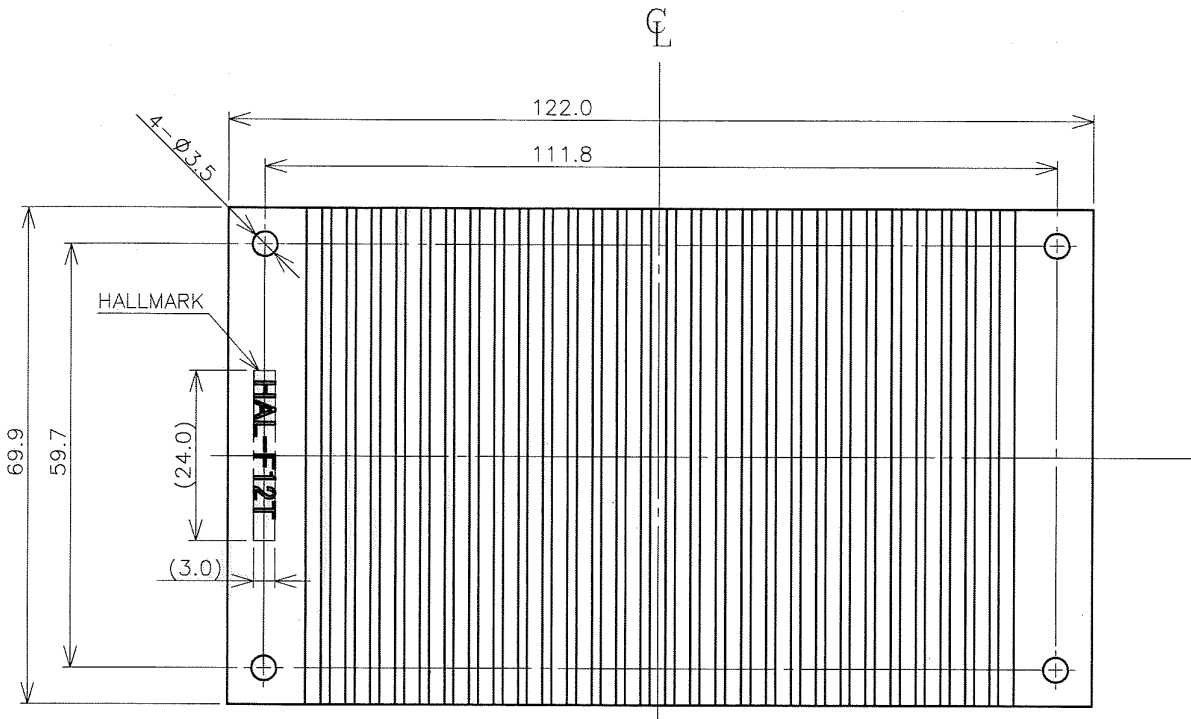


This is uncontrolled copy when without Authorized Mark on the printed drawing. Verification of the latest version shall be conducted by PLM system.

**Surface QC**

**RoHS COMPLIANCE**



=NOTES=

RoHS Compliance :  
 Refer to D-L Group Green Procurement Guideline : DL-EMS-010\_  
 Surface QC :  
 Refer to Guideline for defects in the surface appearance  
 of products (For Vender) : NLS-B-225\_

Unless otherwise specified dimensional tolerance as follows:

DIMENSION (mm)	TOLERANCE ±mm
1-16	0.1
16.1-63	0.2
63.1-250	0.3
250.1-1000	0.5

-	-52	NEW RELEASE	08.5.16			
D	REV	CONTENTS	DATE	ENGR	CHK	APPD
APPD		<i>[Signature]</i>	SCALE	1:1	MATERIALS	TITLE
CHK		<i>[Signature]</i>	UNITS	mm	A6063S-T5	FIN
ENGR		MATSUMAGA	ANGLE	3RD ANGLE PROJECTION	FINISH	HAL-F12T
					DEGREASE	

DRAWING No.	8000-4-169-	PAGE	1/1
<b>DENSEI-LAMBDA</b>			

PARTS FILE: 8000-4-169  
 DWG FILE: 8000-4-169.SLDDRW