

# **ST7MDT20-DVP3 Probe User Guide**

Release 1.4

**December 2004**



Ref: DOC-ST7MDT20-DVP3



### **INSTRUCTIONS FOR USE—WARNING**

This product is conform to the 89/336/EEC Directive. It complies with the ITE EN55022 (1998 edition) standard for EMC emissions and the 55024 (1998 edition) immunity standards.

**This product is an FCC Class-A apparatus. In a residential environment, it may cause radioelectrical disturbances.**

In addition, this development board is not contained in an outer casing; consequently, it cannot be immune against electrostatic discharges (ESD). Please refer to [Appendix A EMC Conformity and Safety Requirements](#) on page 34 for relevant safety information.

### **USE IN LIFE SUPPORT DEVICES OR SYSTEMS MUST BE EXPRESSLY AUTHORIZED.**

STMicroelectronics PRODUCTS ARE NOT AUTHORIZED FOR USE AS CRITICAL COMPONENTS IN LIFE SUPPORT DEVICES OR SYSTEMS WITHOUT THE EXPRESS WRITTEN APPROVAL OF STMicroelectronics. As used herein:

1. Life support devices or systems are those which (a) are intended for surgical implant into the body, or (b) support or sustain life, and whose failure to perform, when properly used in accordance with instructions for use provided with the product, can be reasonably expected to result in significant injury to the user.

2. A critical component is any component of a life support device or system whose failure to perform can reasonably be expected to cause the failure of the life support device or system, or to affect its safety or effectiveness.

---

# Table of Contents

---

<b>Chapter 1:</b>	<b>Introduction</b>	<b>5</b>
1.1	About the user manuals...	7
<b>Chapter 2:</b>	<b>Delivery checklist</b>	<b>8</b>
<b>Chapter 3:</b>	<b>Connecting to your application board</b>	<b>12</b>
3.1	SDIP42 and SDIP32 packages	13
3.2	TQFP80 (14 x 14) package	15
3.3	TQFP64 (14 x 14) package	16
3.4	TQFP64 (10 x 10) package	17
3.5	TQFP44 (10 x 10) package	18
3.6	TQFP32 (7 x 7) package	19
3.7	Installing HE10 connectors on your application board	22
<b>Chapter 4:</b>	<b>Emulation characteristics</b>	<b>29</b>
4.1	On-chip peripherals configuration	29
4.2	Emulation functional limitations and discrepancies	31
<b>Chapter 5:</b>	<b>Programming with your ST7MDT20-DVP3</b>	<b>33</b>
<b>Appendix A</b>	<b>EMC Conformity and Safety Requirements</b>	<b>34</b>
<b>Product Support</b>		<b>35</b>

---

# Table of Contents

---

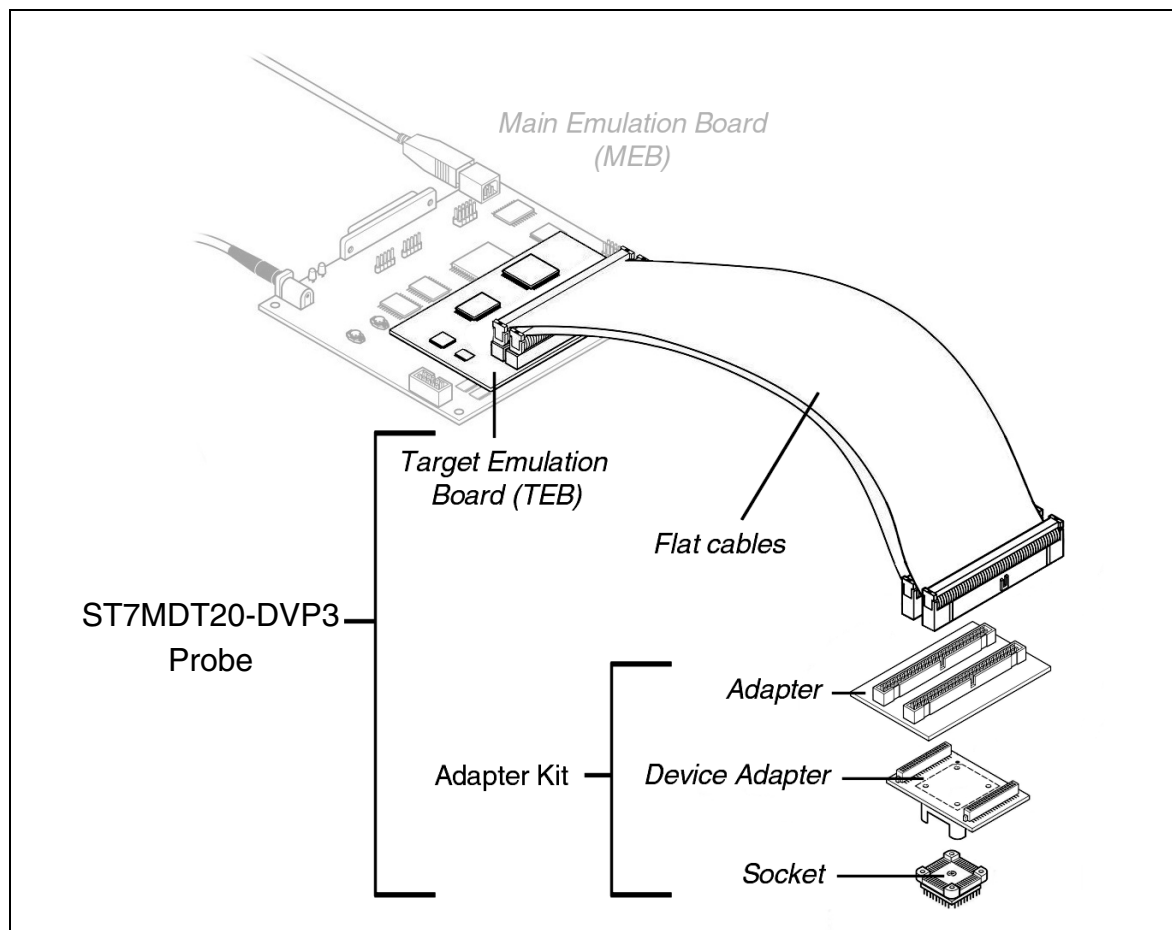
## 1 INTRODUCTION

The **ST7-DVP3 series emulators** are the latest generation of low cost emulators for ST7. These emulators are based on a modular design so that they can be configured to emulate a specific MCU and package type.

Your emulator's **Main Emulation Board (MEB)** is common to all DVP3 series emulators. This board provides the connection to your host PC. For information about this connection and emulator features, refer to your *ST7-DVP3 Emulator User Manual*.

The **ST7MDT20-DVP3 probe**, consisting of the Target Emulation Board (TEB), Adapter Kit and flat cables ([Figure 1](#)), is what gives your emulator the versatility to emulate MCUs from different families, with different packages.

The **Target Emulation Board** contains target-emulating hardware that is specific to an ST7 MCU, or a family of MCUs. Your ST7MDT20-TEB/DVP emulates MCUs in the **ST72321**, **ST72324** and **ST72521** families.



**Figure 1: ST7MDT25-DVP3 probe**

**Flat cables** connect your TEB to your application board. However, connecting to your application board also requires the use of the appropriate adapters and sockets provided in an Adapter Kit.

**Adapter Kits** provide all the components you will need to adapt the flat cables to one of the supported MCU packages: **TQFP80 (14 x 14)**, **TQFP64 (14 x 14)**, **TQFP64 (10 x 10)**, **TQFP44 (10 x 10)**, **TQFP32 (7 x 7)**, **SDIP42**, **SDIP32**. [Table 2](#) provides a list of components for each Adapter Kit. In general, Adapter Kits consist of ([Figure 1](#)):

- An **Adapter** that receives the flat cables from the TEB and provides a connection for the Device Adapter.
- A **Device Adapter** that adapts the connection to a socket that is specific to your MCU's package.
- A **Socket** that matches your MCUs package. It is soldered onto your application board in place of your MCU.
- It may also include one or more additional flat cables when necessary.

Thanks to the modularity of the ST7-DVP3 series emulators, the components of the ST7MDT20-DVP3 probe allow you to adapt any DVP3 Main Emulation Board to emulate MCUs in the ST72321, ST72324 and ST72521 families.

## 1.1 About the user manuals...

This manual will help you connect your DVP3 emulator to your application board. This document also contains information about the emulation characteristics of your ST7MDT10-DVP3 probe and connection accessories.

For information about the software and additional hardware intended for use with this TEB, refer to the following documents that are included with your emulator:

***ST7 Visual Develop User Manual*** - build and debug your application software

***ST7-DVP3 Emulator User Manual*** - set up instructions for your DVP3 emulator

***ST7xxxx Datasheet*** - includes debugging and programming information that is specific to your MCU

Because of the modularity of the DVP3 emulator, this guide is delivered with the following kits:

- ST7MDT20-TEB/DVP
- ST7MDT20-DVP3 emulator

### 1.1.1 Revision history

Date	Revision	Description
Oct 2002	1.1	<ul style="list-style-type: none"> <li>• Updated template and internal links</li> </ul>
Apr 2003	1.2	<ul style="list-style-type: none"> <li>• Updated supported devices</li> </ul>
Apr 2004	1.3	<ul style="list-style-type: none"> <li>• Updated <a href="#">Section 2</a>– description of ordering codes</li> <li>• Added <a href="#">Section 3.7</a>– Pin descriptions for connecting flat cables directly to the user’s application board</li> </ul>
Dec 2004	1.4	<ul style="list-style-type: none"> <li>• Added <a href="#">Table 1</a>– Revision history table</li> <li>• Replace “ST7 Visual Debug” with “ST7 Visual Develop”</li> <li>• Replace “passive probe” terminology with adapter</li> <li>• Updated <a href="#">Section 1</a>– with improved description of product structure</li> <li>• Corrected <a href="#">Section 2</a>– description of adapter kit ordering codes</li> </ul>

**Table 1: ST7MDT20-DVP3 Probe User Guide revision history**

## 2 DELIVERY CHECKLIST

The ST7MDT20-DVP3 TEB and connection accessories are typically delivered as part of the **ST7MDT20-DVP3 emulator**. In addition to the items listed in this section, the emulator contains the Main Emulation Board, power supply and the connection cables needed to connect to your PC. For more information, refer to the delivery check list in your *ST7-DVP3 Emulator User Manual*.

When ordering an ST7MDT20-DVP3 emulator, you will receive a complete emulator (MEB, TEB and flat cables) along with adapters and sockets to emulate microcontrollers in SDIP32 and SDIP42 packages. To received the connection accessories to emulate microcontrollers in one of the other supported packages, you must order the appropriate adapter kitadapter kit. [Table 2](#) shows the accessories delivered for each ordering code. They are illustrated in [Figure 3](#).

If you already own an ST7-DVP3 emulator, your emulator's MEB can be adapted to emulate devices in the ST72321, ST72324 or ST72521 families with the appropriate target emulation board (ordering code: ST7MDT20-TEB/DVP) and the adapters and sockets that correspond to your microcontroller's package.

Ordering code	MCU package	Contents
<b>ST7MDT20-DVP3</b>	SDIP32 SDIP42	One ST7-DVP3 Main Emulation Board (ref.: MB352) with the components listed in the <i>ST7-DVP3 Emulator User Manual</i> . <b>(a)</b> One ST7MDT20-DVP3 TEB (ref.: DB525) <b>(b)</b> Two 50-pin flat cables. <b>(c)</b> An SDIP/SDIP adapter (ref.: DB529)
<b>ST7MDT20-TEB/ DVP</b>	SDIP32 SDIP42	<b>(a)</b> One ST7MDT20-DVP3 TEB (ref.: DB525) <b>(b)</b> Two 50-pin flat cables. <b>(c)</b> An SDIP/SDIP adapter (ref.: DB529) <i>Does not include the ST7-DVP3 Main Emulation Board (ref.: MB352) and associated components listed in the ST7-DVP3 Emulator User Manual.</i>

**Table 2: Ordering codes and associated components**



Ordering code	MCU package	Contents
<b>ST7MDT20-T80/DVP</b>	TQFP80 (14 x14)	(b) 1 additional 50-pin flat cable <sup>1</sup> (d) TQFP80/64/44 adapter (ref.: DB530) (e) TQFP80 device adapter (ref.: DB531) (f) YAMAICHI TQFP80 socket with cover (ref.: IC149-080-051-S5)
<b>ST7MDT20-T64/DVP</b>	TQFP64 (14 x 14)	(b) 1 additional 50-pin flat cable <sup>1</sup> (d) TQFP80/64/44 adapter (ref.: DB530) (g) TQFP64 14x14 device adapter (ref.: DB543) (h) TQFP64 socket and cover (not shown) (refs. CAB 3303262 and CAB 3303307)
<b>MDT20-T6A/DVP</b>	TQFP64 (10 x 10)	(b) 1 additional 50-pin flat cable <sup>1</sup> (d) TQFP80/64/44 adapter (ref.: DB530) (e) TQFP64 10x10 device adapter (ref.: DB583) (f) YAMAICHI TQFP64 10x10 socket with cover (ref.: IC149-064-075-B5)
<b>ST7MDT20-T44/DVP</b>	TQFP44 (10 x 10)	(b) 1 additional 50-pin flat cable <sup>1</sup> (d) TQFP80/64/44 adapter (ref.: DB530) (i) TQFP44 device adapter (ref.: DB544) (j) YAMAICHI TQFP44 socket with cover (ref.: IC149-044-052-S5)
<b>ST7MDT20-T32/DVP</b>	TQFP32 <sup>2</sup> (7x7)	(k) TQFP32 adapter (ref.: DB545) (l) TQFP32 flex adapter (ref.: DB522) (m) IRONWOOD TQFP32 connector (ref.: SK-UGA06/32A-01)

**Table 2: Ordering codes and associated components**

- 1) Connecting the DB530 adapter to the emulator requires three 50-pin flat cables. Two flat cables are already included in the ST7MDT20-DVP3.
- 2) You can replace the ST7MDT20-DVP3's TQFP32 adapter with the actual ST7 by using an IRONWOOD clam shell socket (ref.: CA-QFE32SA-L-Z-T-02-D1442). This socket is not provided with the adapter kitemulator.

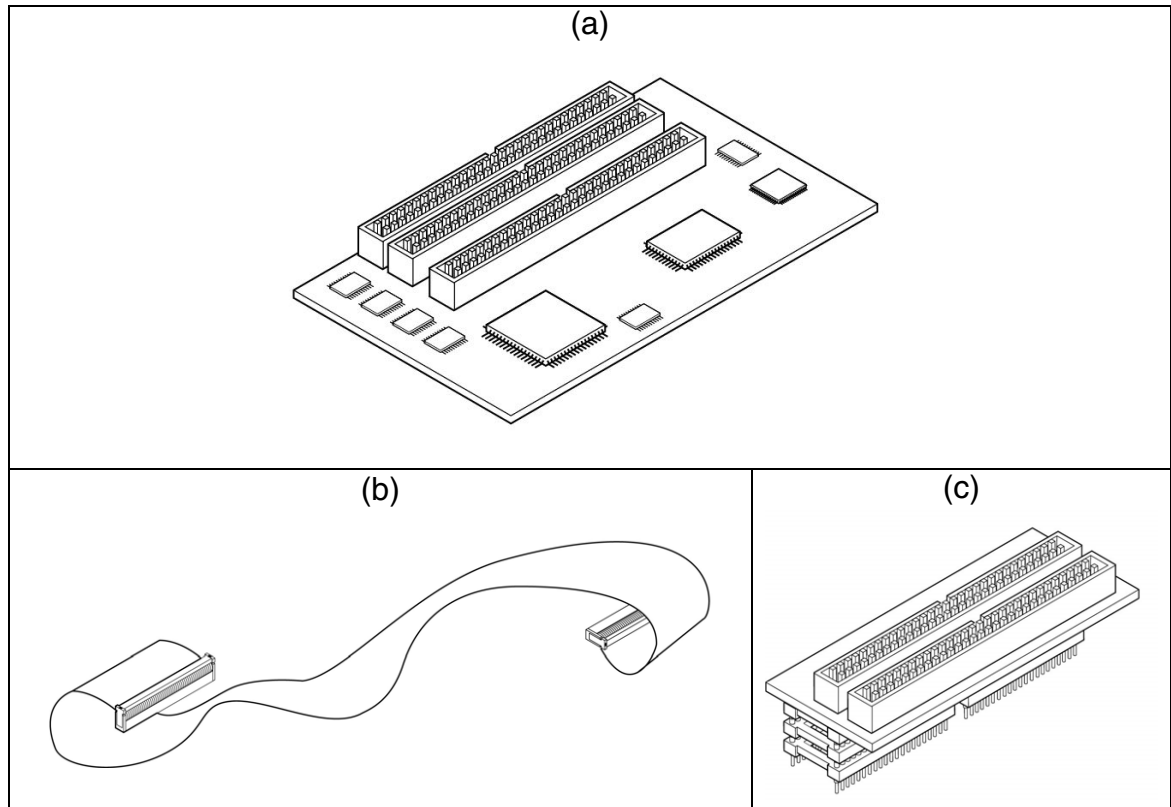


Figure 2: Standard ST7MDT20-DVP3 components

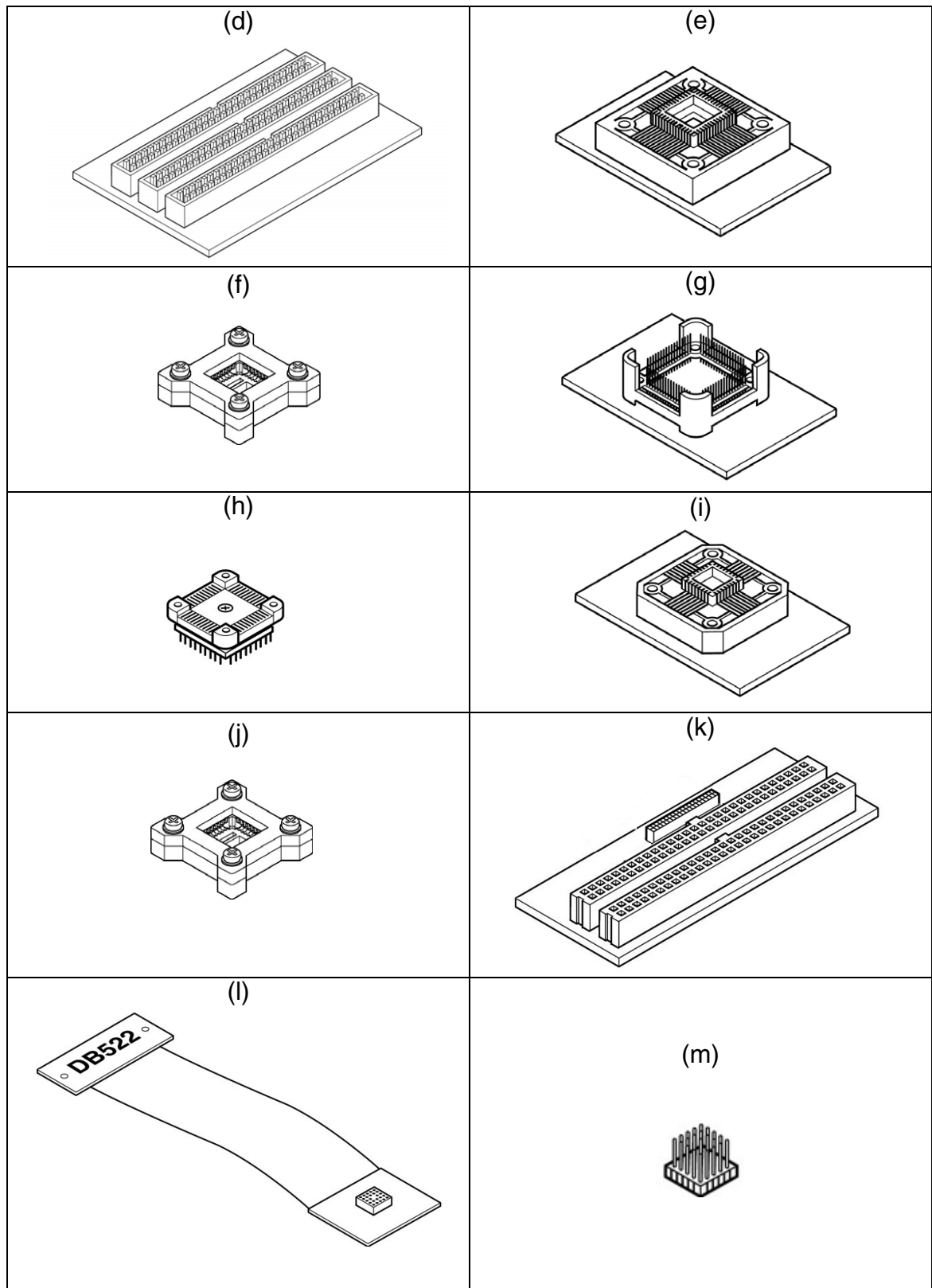
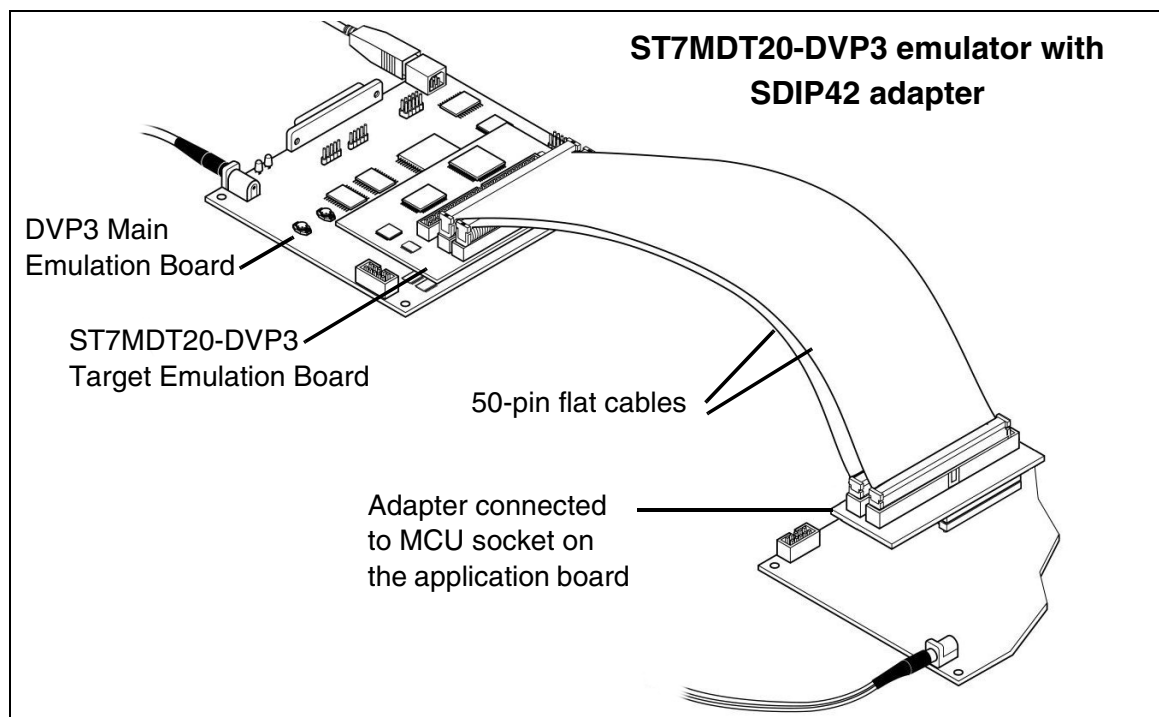


Figure 3: Adapter kit components

### 3 CONNECTING TO YOUR APPLICATION BOARD

In addition to providing the firmware to emulate your MCU, the ST7MDT20-DVP3 emulator serves as the hardware interface between your host PC and your application. Your DVP3 emulator comes with the connectors and adapters for a specific package type. These accessories allow you to connect your emulator to your application board in place of your ST7 microcontroller.



**Figure 4: DVP3 to application board connection**

You can also install two or three HE10 type connectors (depending on the MCU you wish to emulate) directly on your application board. Doing so will allow you to connect the emulator to your application board without using a device adapter or socket.

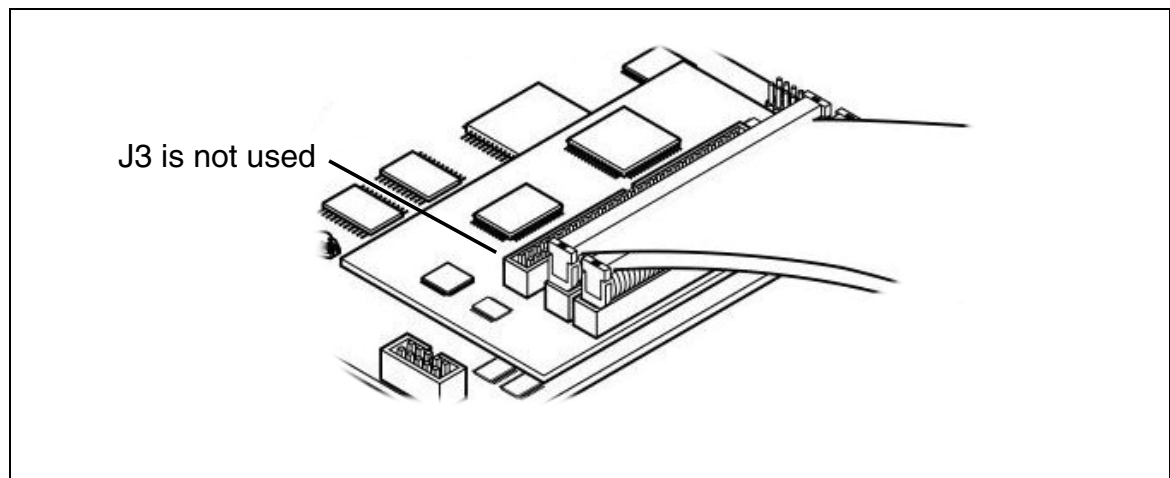
This chapter provides information about connecting to your application board:

- [Section 3.1](#) — for microcontrollers in a SDIP32 and SDIP42 packages
- [Section 3.2](#) — for microcontrollers in a TQFP80 (14 x 14) package
- [Section 3.3](#) — for microcontrollers in a TQFP64 (14 x 14) package
- [Section 3.4](#) — for microcontrollers in a TQFP64 (10 x 10) package
- [Section 3.5](#) — for microcontrollers in a TQFP44 (10 x 10) package
- [Section 3.6](#) — for microcontrollers in a TQFP32 (7 x 7) package
- [Section 3.7](#) — with HE10 connectors installed on the application board

### 3.1 SDIP42 and SDIP32 packages

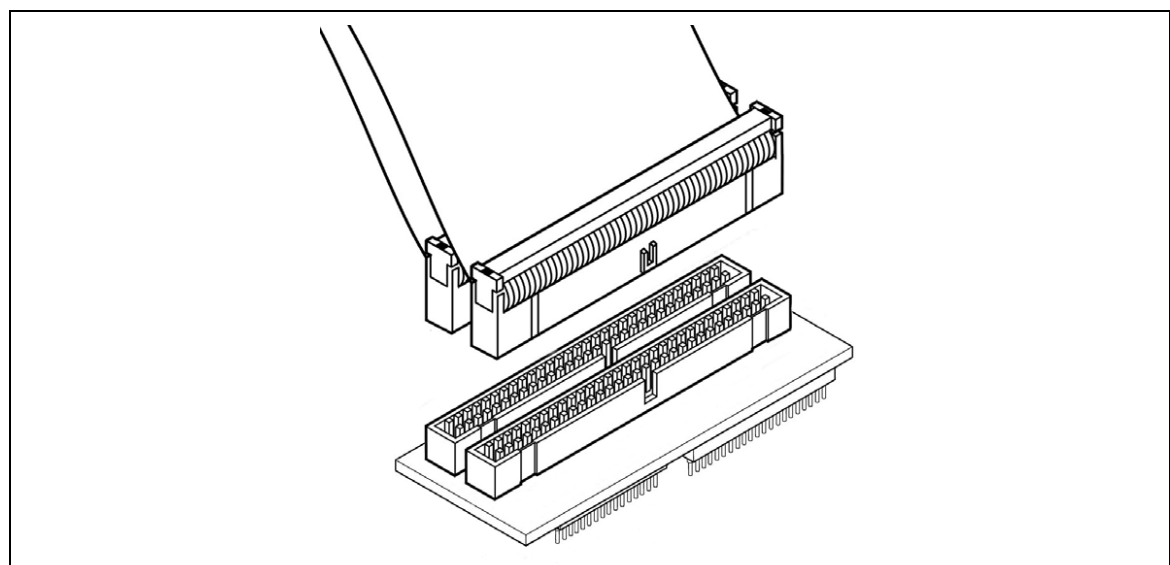
This procedure tells you how to connect the ST7MDT20-DVP3 to your application board when your target ST7 microcontroller is in either the SDIP42 or SDIP32 package. These packages require only the standard ST7MDT20-DVP3 parts.

- 1 Ensure that neither the ST7MDT20-DVP3 nor your application board are powered up.
- 2 Connect the two 50-pin flat cables to the J1 and J2 connectors on the ST7MDT20-DVP3 TEB as shown in [Figure 5](#). Note that the J3 connector is not used.



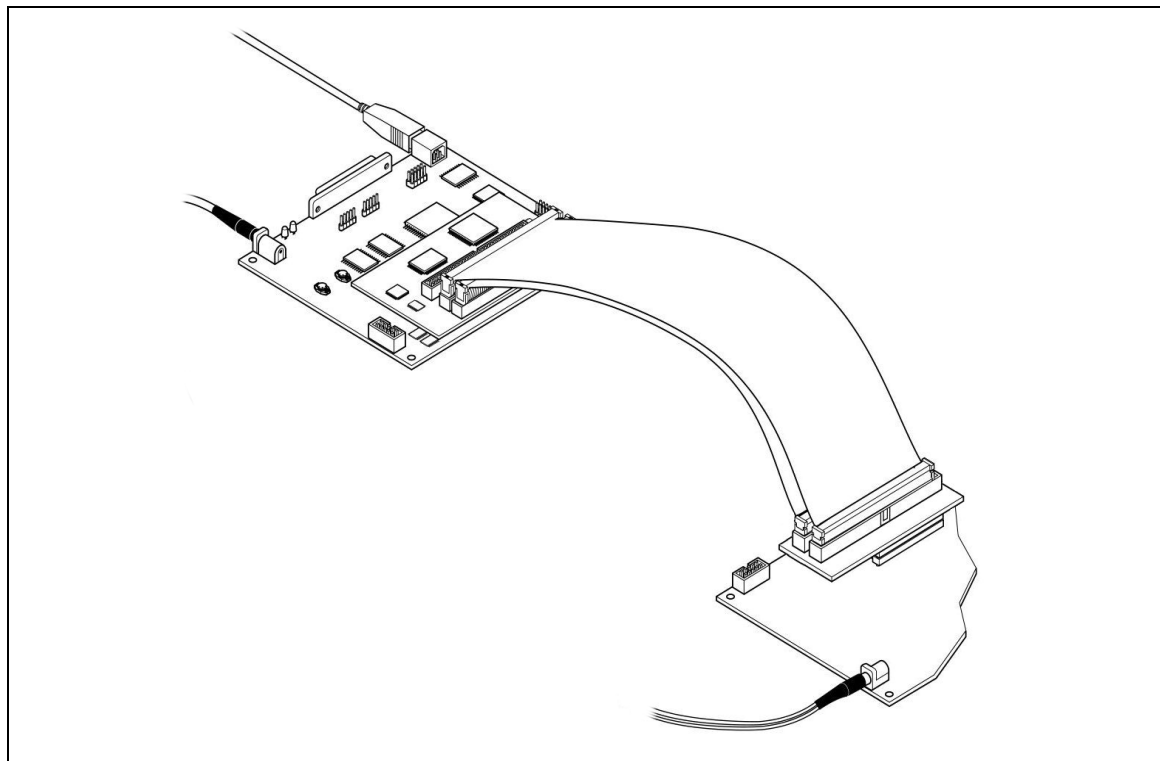
**Figure 5: Connecting the two 50-pin flat cables to the TEB**

- 3 Connect the other end of the two 50-pin flat cables to the adapter provided with standard kit (ref.: DB529), as shown in [Figure 6](#).



**Figure 6: Connecting the two 50-pin flat cables to the SDIP adapter**

- 4 From the adapter, remove the SDIP connector for the package you are not using. For example, if you are using the SDIP42 package, remove the SDIP32 connectors from the bottom of the adapter, and set them aside.
- 5 Solder a socket corresponding to the package you are using (SDIP32 or SDIP42) onto your application board.
- 6 Connect the adapter to the socket soldered onto your application board as shown in *Figure 7*. Ensure that pin number 1 (identified on top of the SDIP adapter) is aligned with pin 1 of the socket on your application board.



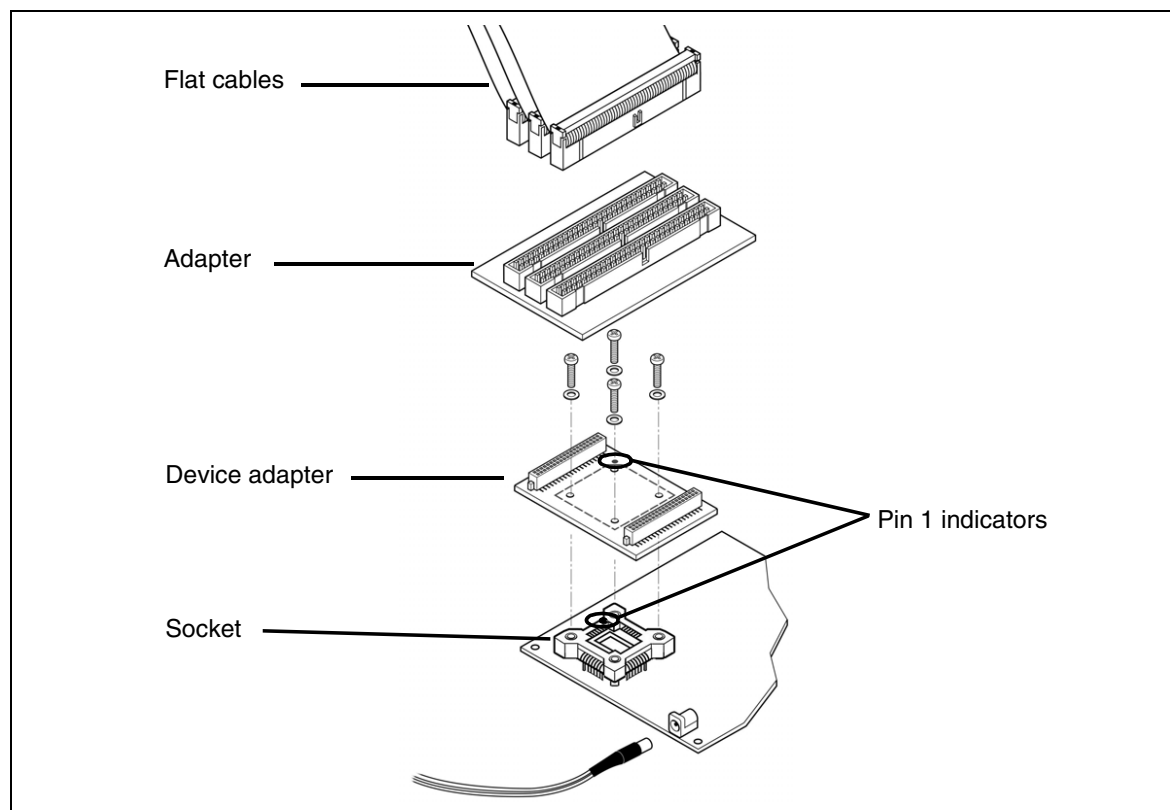
**Figure 7: SDIP connection to application board**

Refer to your *ST7-DVP3 Emulator User Manual* for information about connecting your emulator to your PC.

### 3.2 TQFP80 (14 x 14) package

To connect the ST7MDT20-DVP3 to your application board when your target ST7 microcontroller is in the TQFP80 package, you will need the ST7MDT20-DVP3 with the ST7MDT20-T80/DVP adapter kit.

- 1 Ensure that the emulator and application board are powered off.
- 2 Connect one end of each of the three 50-pin flat cables to connectors J1, J2 and J3 on the ST7MDT20-DVP3 TEB.
- 3 Connect the other end of each of the three 50-pin flat cables to the TQFP80/64/44 adapter (ref.: DB530), as shown in [Figure 8](#).
- 4 Solder the TQFP80 (14 x 14) Yamaichi socket onto your application board.
- 5 Fix the device adapter (ref.: DB531) to the Yamaichi socket that is soldered on your application board, using the provided screws (see [Figure 8](#)). Ensure that the device adapter's pin 1 indicator is aligned with the socket's pin 1 indicator.



**Figure 8: Connection for TQFP80**

- 6 Connect the adapter to the device adapter as shown in [Figure 8](#).

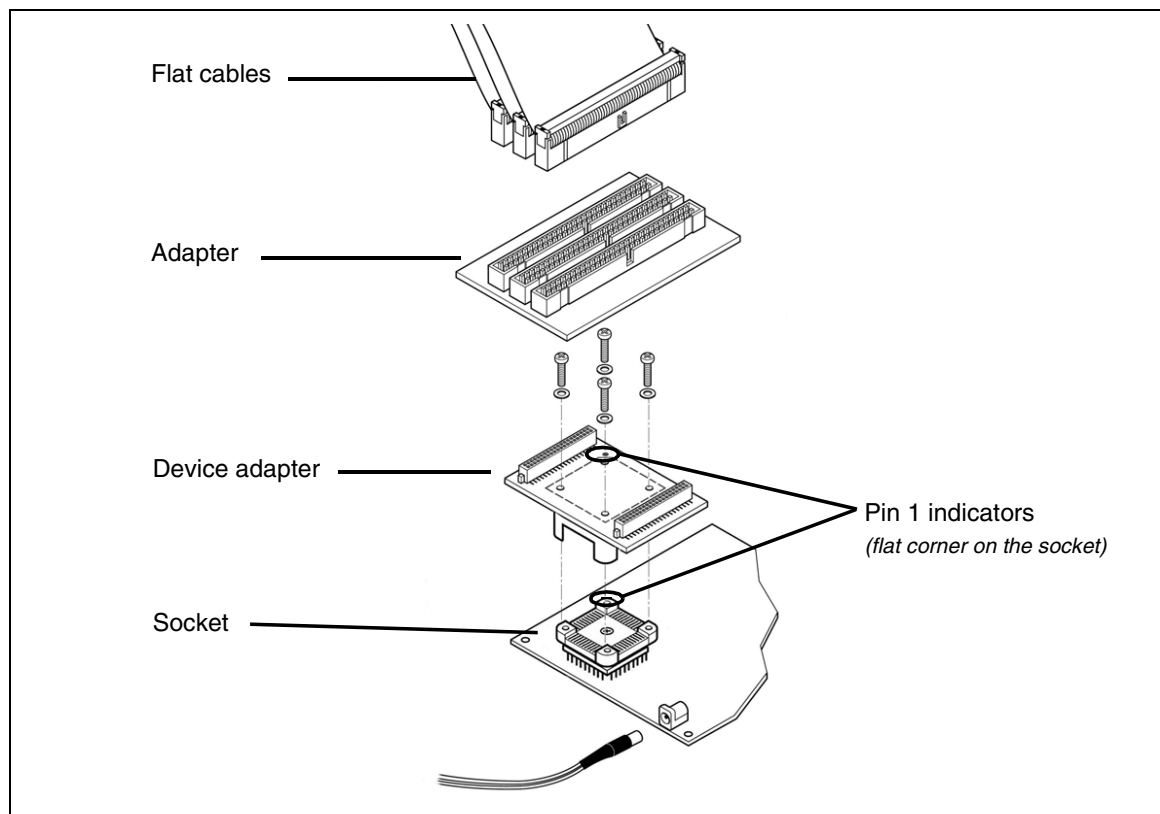
Refer to your *ST7-DVP3 Emulator User Manual* for information about connecting your emulator to your PC.



### 3.3 TQFP64 (14 x 14) package

To connect the ST7MDT20-DVP3 to your application board when your target ST7 microcontroller is in the TQFP64 package, you will need the ST7MDT20-DVP3 with the ST7MDT20-T64/DVP adapter kit.

- 1 Ensure that the emulator and application board are powered off.
- 2 Connect one end of each of the three 50-pin flat cables to connectors J1, J2 and J3 on the ST7MDT20-DVP3 TEB.
- 3 Connect the other end of each of the three 50-pin flat cables to the TQFP80/64/44 adapter (ref.: DB543), as shown in [Figure 9](#).
- 4 Solder the TQFP64 (14 x 14) socket onto your application board.
- 5 Fix the device adapter (ref.: DB531) to the socket soldered on your application board using the provided screws (see [Figure 9](#)). Ensure that the device adapter's pin 1 indicator is aligned with the socket's pin 1 indicator.



**Figure 9: Connection for TQFP64**

- 6 Connect the adapter to the device adapter as shown in [Figure 9](#).

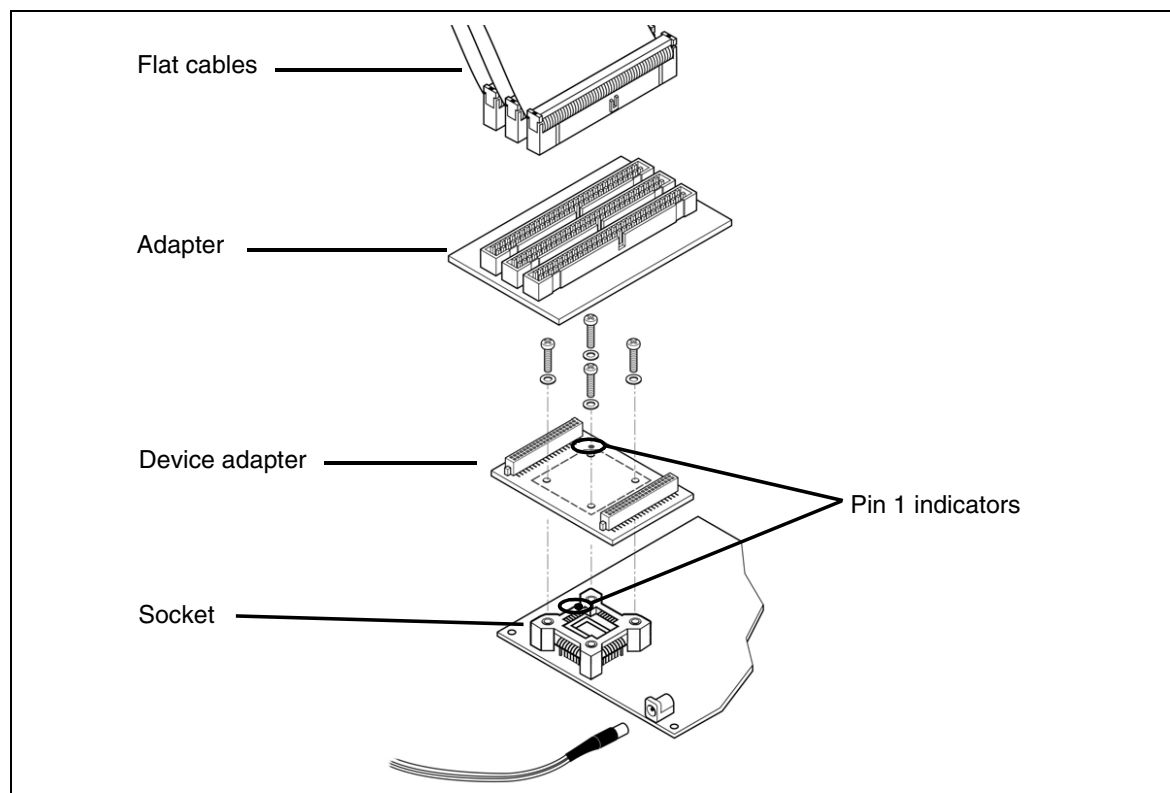
Refer to your *ST7-DVP3 Emulator User Manual* for information about connecting your emulator to your PC.



### 3.4 TQFP64 (10 x 10) package

To connect the ST7MDT20-DVP3 to your application board when your target ST7 microcontroller is in the TQFP64 10x10 package, you will need the ST7MDT20-DVP3 with the ST7MDT20-T6A/DVP adapter kit.

- 1 Ensure that the emulator and application board are powered off.
- 2 Connect the one end of each of the three 50-pin flat cables to connectors J1, J2 and J3 on the ST7MDT20-DVP3 TEB.
- 3 Connect the other end of each of the three 50-pin flat cables to the TQFP80/64/44 adapter (ref.: DB530), as shown in [Figure 10](#).
- 4 Solder the TQFP64 (10 x 10) Yamaichi socket onto your application board.
- 5 Fix the device adapter (ref.: DB583) to the Yamaichi socket soldered on your application board using the provided screws (see [Figure 10](#)). Ensure that the device adapter's pin 1 indicator is aligned with the socket's pin 1 indicator.



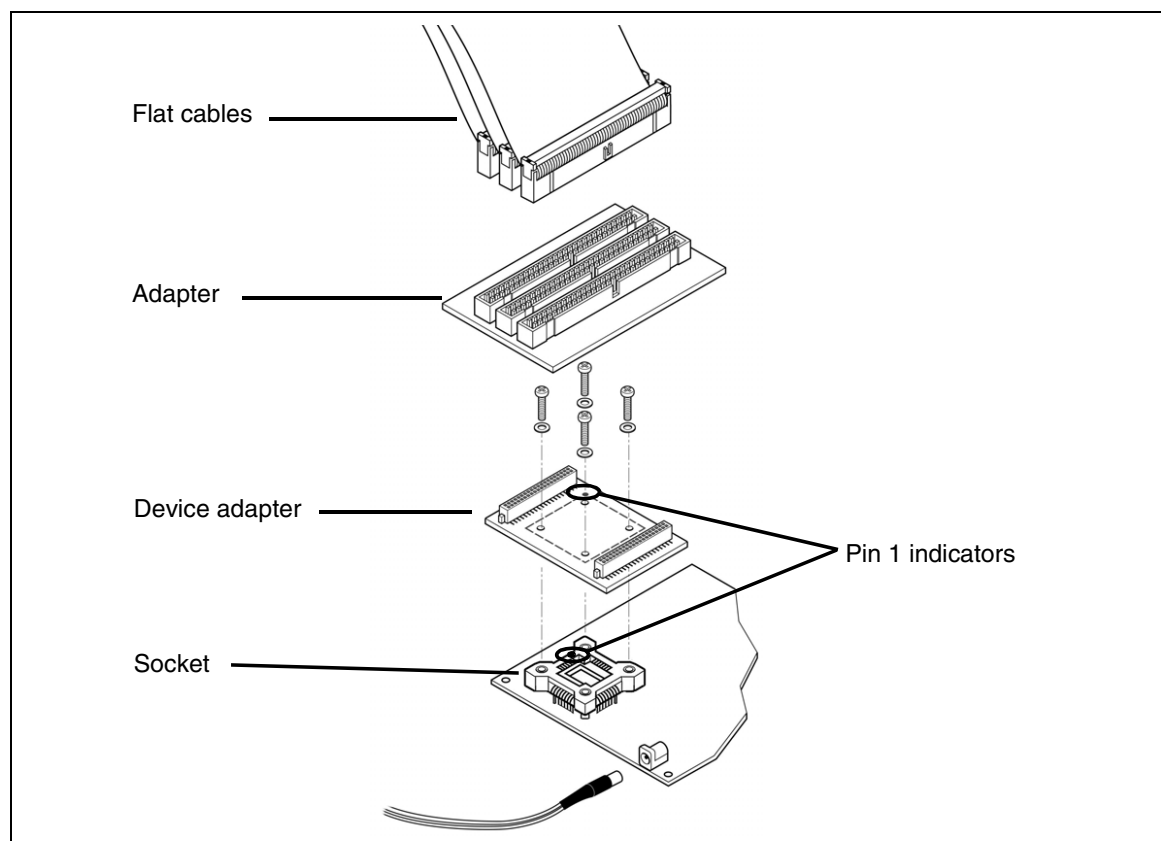
**Figure 10: Connection for TQFP64 10x10**

- 6 Connect the adapter to the device adapter as shown in [Figure 10](#). Refer to your *ST7-DVP3 Emulator User Manual* for information about connecting your emulator to your PC.

### 3.5 TQFP44 (10 x 10) package

To connect the ST7MDT20-DVP3 to your application board when your target ST7 microcontroller is in the TQFP44 package, you will need the ST7MDT20-DVP3 with the ST7MDT20-T44/DVP adapter kit.

- 1 Ensure that the emulator and application board are powered off.
- 2 Connect the one end of each of the three 50-pin flat cables to connectors J1, J2 and J3 on the ST7MDT20-DVP3 TEB.
- 3 Connect the other end of each of the three 50-pin flat cables to the TQFP80/64/44 adapter (ref.: DB530), as shown in [Figure 11](#).
- 4 Solder the TQFP44 (10 x 10) Yamaichi socket onto your application board.
- 5 Fix the device adapter (ref.: DB544) to the Yamaichi socket soldered on your application board using the provided screws (see [Figure 11](#)). Ensure that the device adapter's pin 1 indicator is aligned with the socket's pin 1 indicator.



**Figure 11: Connection for TQFP44**

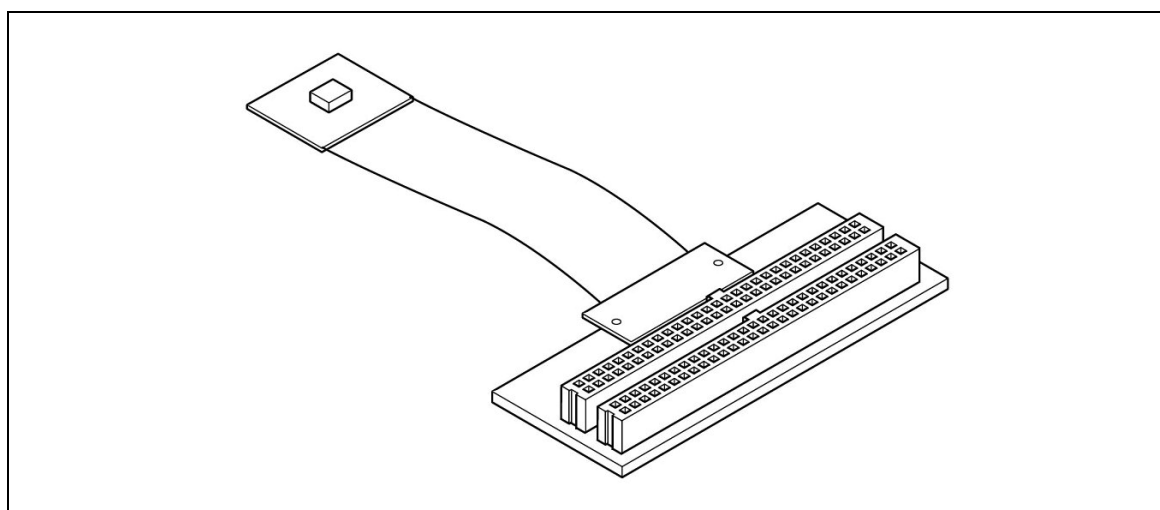
- 6 Connect the adapter to the device adapter as shown in [Figure 11](#). Refer to your *ST7-DVP3 Emulator User Manual* for information about connecting your emulator to your PC.

### 3.6 TQFP32 (7 x 7) package

To connect the ST7MDT20-DVP3 to your application board when your target ST7 microcontroller is in the TQFP32 package, you will need the ST7MDT20-DVP3 with the ST7MDT20-T32/DVP adapter kit.

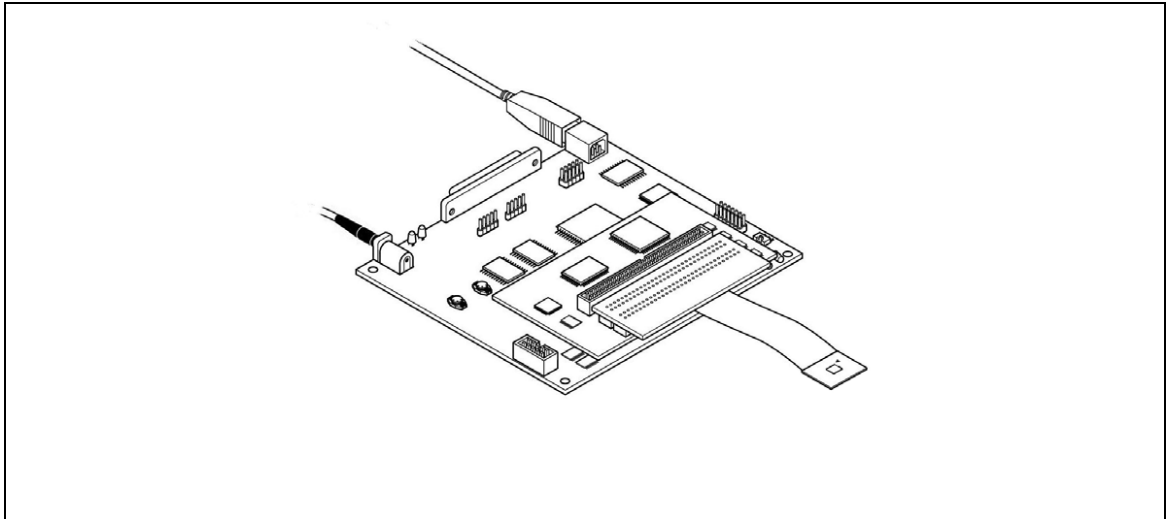
Because of the small size of the TQFP32 connector, a specific flex adapter has been designed in order to minimize the mechanical stress applied to this connector.

- 1 Ensure that the emulator and application board are powered off.
- 2 Connect the DB522 flex adapter to the TEB adapter (ref.: DB545) as shown in [Figure 12](#)



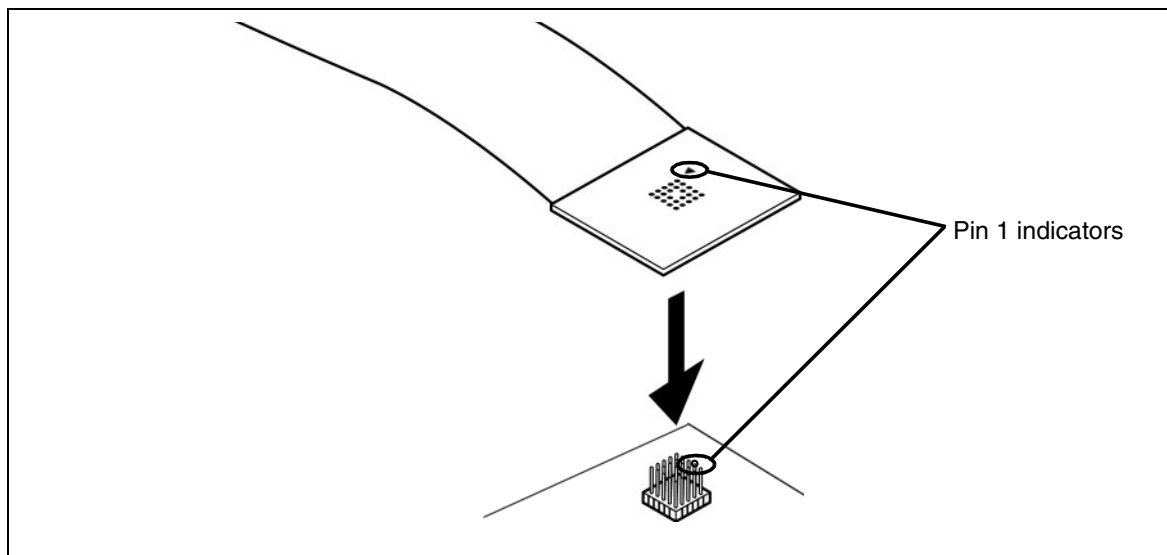
**Figure 12: Flex PCB mounted on TEB adapter**

- 3 Connect the TEB adapter to connectors J1 and J2 of the ST7MDT20-DVP3 TEB as shown in [Figure 13](#).



**Figure 13: DVP3 configuration for TQFP32 emulation**

- 4 Solder the TQFP32 connector (Ironwood SK-UGA06/32A-01) onto your application board as shown in [Figure 14](#)



**Figure 14: TQFP32 connector**

- 5 Connect the flex adapter to the TQFP32 connector, ensuring that pin 1 of the flex cable adapter is aligned with pin 1 of the socket. Pin 1 is identified by a white triangle.

*Note:* The TQFP32 connector provided in the adapter kit does not support the replacement of the flex cable by an actual ST7 TQFP32 device. This can be done if you use an IRONWOOD clam shell socket (ref.: CA-QFE32SA-L-Z-T-02-D1442), which is not provided with the kit.

Refer to your *ST7-DVP3 Emulator User Manual* for information about connecting your emulator to your PC.

### 3.7 Installing HE10 connectors on your application board

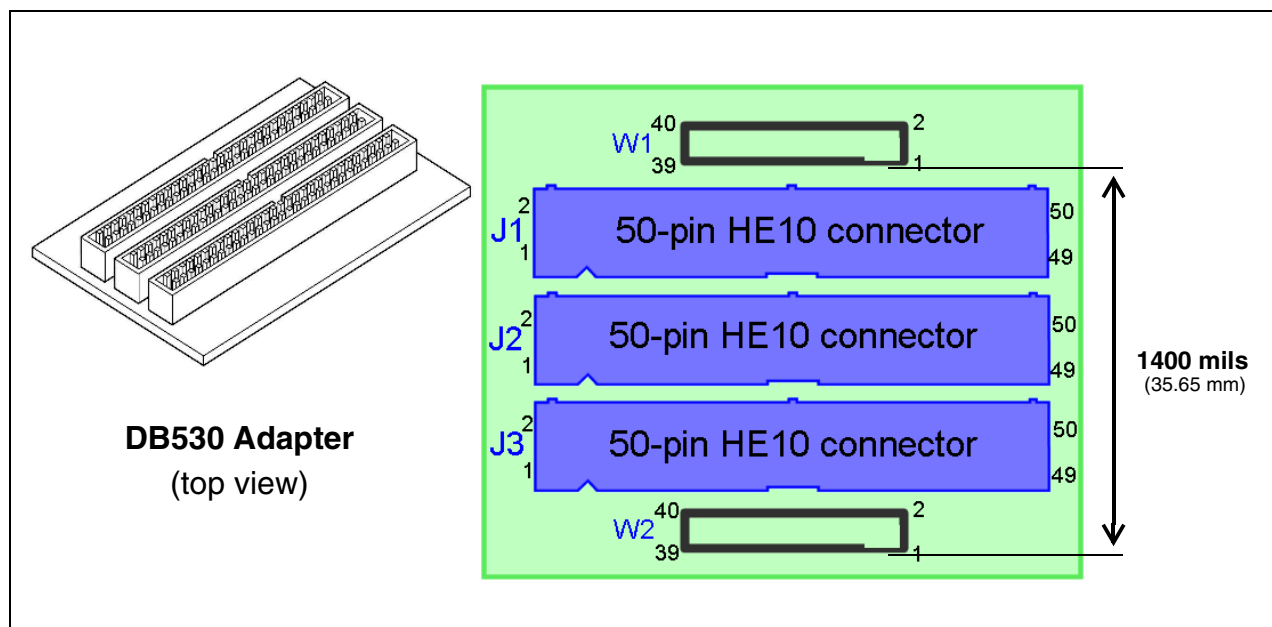
This section provides information about installing connectors on your application board for the connection with your emulator. Doing this will allow you to connect your emulator to the application board without using the device adapters and/or sockets described in the preceding sections. To do this you can install connectors on your application board that correspond to W1 and W2 connectors of the DB530 adapter, or to the 50-pin flat cable connectors.

Whichever option you choose, you will have to orient all connectors correctly and ensure the necessary pin connections according to the specifications provided in this section.

#### 3.7.1 Orientation of the connectors

##### To receive the DB530 flat cable adapter

When designing your application board with the 40-pin, SAMTEC connectors corresponding to **W1** and **W2** on the flat cable adapter, be sure to orient them correctly. The schematic in *Figure 15* shows the orientation of the W1 and W2 connectors in relation to the adapter's J1, J2 and J3 connectors.



**Figure 15: Orientation of J1 and J2 connectors**

W1 and W2 on this adapter are SAMTEC connectors (REF.: TFM 120-22-S-D-A). When installing the corresponding connectors to receive the W1 and W2 connectors, you must ensure a distance of 1400 mils between the connectors, measured as shown in *Figure 15*.

### To receive emulator flex cables

You can also choose to install 50-pin HE10 connectors on your application board to receive the emulator's flex cables. In this case ensure that the orientation corresponds to that used for the adapter DB530 (see [Figure 15](#)).

#### 3.7.2 Relaying the connectors to your application

The following sections provide the pin specifications required for connecting your emulator to your application board.

When installing the 40-pin connectors corresponding to W1 and W2 on your application board, follow the pin correspondence provided for:

- W1 (40-pin HE10 type connector) in [Table 3](#)
- W2 (40-pin HE10 type connector) in [Table 4](#)

When installing the 50-pin HE10 connectors corresponding to J1, J2 and J3 on your application board, follow the pin correspondence provided for:

- J1 (50-pin HE10 type connector) in [Table 5](#)
- J2 (50-pin HE10 type connector) in [Table 6](#)
- J3 (50-pin HE10 type connector) in [Table 7](#)

**Pin specification for W1 connector:**

Pin N°	Name	Description/ Comments	Pin N°	Name	Description/ Comments
1	PH6	I/O port H bit 6	2	PH7	I/O port H bit 7
3	GND	to connect to GND	4	OSC2	also called OSCOUT
5	OSC1	also called "OSCIN"	6	VCC	Main Supply Voltage
7	PE0	I/O port E bit 0	8	PE1	I/O port E bit 1
9	PE2	I/O port E bit 2	10	PE3	I/O port E bit 3
11	PE4	I/O port E bit 4	12	PE5	I/O port E bit 5
13	PE6	I/O port E bit 6	14	PE7	I/O port E bit 7
15	PB0	I/O port B bit 0	16	PB1	I/O port B bit 1
17	PB2	I/O port B bit 2	18	PB3	I/O port B bit 3
19	PG0	I/O port G bit 0	20	PG1	I/O port G bit 1
21	PG2	I/O port G bit 2	22	PG3	I/O port G bit 3
23	PB4	I/O port B bit 4	24	PB5	I/O port B bit 5
25	PB6	I/O port B bit 6	26	PB7	I/O port B bit 7
27	PD0	I/O port D bit 0	28	PD1	I/O port D bit 1
29	PD2	I/O port D bit 2	30	PD3	I/O port D bit 3
31	PG6	I/O port G bit 6	32	PG7	I/O port G bit 7
33	PD4	I/O port D bit 4	34	PD5	I/O port D bit 5
35	PD6	I/O port D bit 6	36	PD7	I/O port D bit 7
37	VAREF	ADC analog reference	38	GND	to connect to GND
39	VCC	Main Supply Voltage	40		

**Table 3: Pin correspondence for W1 connector**



**Pin specification for W2 connector:**

Pin N°	Name	Description/ Comments	Pin N°	Name	Description/ Comments
1	PH4	I/O port H bit 4	2	PH5	I/O port H bit 5
3	EVD	External Voltage Detector	4	TLI	Top Level Interrupt
5	reserved		6	/RESET	MCU reset
7	PA6	I/O port A bit 6	8	PA7	I/O port A bit 7
9	PA4	I/O port A bit 4	10	PA5	I/O port A bit 5
11	VCC	Main Supply Voltage	12	GND	to connect to GND
13	PA2	I/O port A bit 2	14	PA3	I/O port A bit 3
15	PA0	I/O port A bit 0	16	PA1	I/O port A bit 1
17	PC6	I/O port C bit 6	18	PC7	I/O port C bit 7
19	PH2	I/O port H bit 2	20	PH3	I/O port H bit 3
21	PH0	I/O port H bit 0	22	PH1	I/O port H bit 1
23	PC4	I/O port C bit 4	24	PC5	I/O port C bit 5
25	PC2	I/O port C bit 2	26	PC3	I/O port C bit 3
27	PC0	I/O port C bit 0	28	PC1	I/O port C bit 1
29	VCC	Main Supply Voltage	30	GND	to connect to GND
31	PF6	I/O port F bit 6	32	PF7	I/O port F bit 7
33	PF4	I/O port F bit 4	34	PF5	I/O port F bit 5
35	PF2	I/O port F bit 2	36	PF3	I/O port F bit 3
37	PF0	I/O port F bit 0	38	PF1	I/O port F bit 1
39	PG4	I/O port G bit 4	40	PG5	I/O port G bit 5

**Table 4: Pin correspondence for W1 connector**

**Caution:** Pin #5 is reserved and must not be connected.

**Pin specification for J1 connector:**

Pin N°	Name	Description/ Comments	Pin N°	Name	Description/ Comments
1	GND	to connect to GND	2	GND	to connect to GND
3	PC7	I/O Port C bit 7	4	reserved	
5	EVD	External Voltage Detector	6		
7	PD0	I/O port D bit 0	8		
9	PD1	I/O port D bit 1	10	GND	to connect to GND
11	PD2	I/O port D bit 2	12		
13	PD3	I/O port D bit 3	14		
15	PD4	I/O port D bit 4	16		
17	PD5	I/O port D bit 5	18	reserved	
19	reserved		20		
21	VAREF	ADC analog reference	22		
23	VCC	Main Supply Voltage	24		
25	PE0	I/O port E bit 0	26	GND	to connect to GND
27	PE1	I/O port E bit 1	28		
29	PC6	I/O port C bit 6	30		
31	TLI	Top Level Interrupt	32		
33	OSC2	also called "OSCOUT"	34	reserved	
35	PF0	I/O port F bit 0	36		
37	PF1	I/O port F bit 1	38		
39	PF2	I/O port F bit 2	40	GND	to connect to GND
41	PF3	I/O port F bit 3	42		
43	PF4	I/O port F bit 4	44		
45	PF5	I/O port F bit 5	46		
47	PF6	I/O port F bit 6	48	reserved	
49	PF7	I/O port F bit 7	50	GND	to connect to GND

**Table 5: Pin correspondence for J1 connector**

**Caution:** Pins #4, 18, 19, 34 and 48 are reserved. They must not be connected.

**Pin specification for J2 connector:**

Pin N°	Name	Description/ Comments	Pin N°	Name	Description/ Comments
1	GND	to connect to GND	2	GND	to connect to GND
3	PA0	I/O port A bit 0	4	reserved	
5	PA1	I/O port A bit 1	6		
7	PA2	I/O port A bit 2	8		
9	PA3	I/O port A bit 3	10	GND	to connect to GND
11	PA4	I/O port A bit 4	12		
13	PA5	I/O port A bit 5	14		
15	PA6	I/O port A bit 6	16		
17	PA7	I/O port A bit 7	18	reserved	
19	/RESET	MCU reset	20		
21	PB0	I/O port B bit 0	22		
23	PB1	I/O port B bit 1	24		
25	PB2	I/O port B bit 2	26	GND	to connect to GND
27	PB3	I/O port B bit 3	28		
29	PB4	I/O port B bit 4	30		
31	PB5	I/O port B bit 5	32		
33	PB6	I/O port B bit 6	34	reserved	
35	PB7	I/O port B bit 7	36		
37	OSC1	also called "OSCIN"	38		
39	PC0	I/O port C bit 0	40	GND	to connect to GND
41	PC1	I/O port C bit 1	42		
43	PC2	I/O port C bit 2	44		
45	PC3	I/O port C bit 3	46		
47	PC4	I/O port C bit 4	48	reserved	
49	PC5	I/O port C bit 5	50	GND	to connect to GND

**Table 6: Pin correspondence for W1 connector**

**Caution:** Pins #4, 18, 34 and 48 are reserved. They must not be connected.

**Pin specification for J3 connector:**

Pin N°	Name	Description/ Comments	Pin N°	Name	Description/ Comments
1	reserved		2	GND	to connect to GND
3	PD6	I/O port D bit 6	4	reserved	
5	PD7	I/O port D bit 7	6		
7	PE2	I/O port E bit 2	8		
9	PE3	I/O port E bit 3	10	GND	to connect to GND
11	PE4	I/O port E bit 4	12		
13	PE5	I/O port E bit 5	14		
15	PE6	I/O port E bit 6	16		
17	PE7	I/O port E bit 7	18	reserved	
19	PG0	I/O port G bit 0	20		
21	PG1	I/O port G bit 1	22		
23	PG2	I/O port G bit 2	24		
25	PG3	I/O port G bit 3	26	GND	to connect to GND
27	PG4	I/O port G bit 4	28		
29	PG5	I/O port G bit 5	30		
31	PG6	I/O port G bit 6	32		
33	PG7	I/O port G bit 7	34	reserved	
35	PH0	I/O port H bit 0	36		
37	PH1	I/O port H bit 1	38		
39	PH2	I/O port H bit 2	40	GND	to connect to GND
41	PH3	I/O port H bit 3	42		
43	PH4	I/O port H bit 4	44		
45	PH5	I/O port H bit 5	46		
47	PH6	I/O port H bit 6	48	reserved	
49	PH7	I/O port H bit 7	50	GND	to connect to GND

**Table 7: Pin correspondence for W1 connector**

**Caution:** Pins #1, 4, 18, 34 and 48 are reserved. They must not be connected.

## 4 EMULATION CHARACTERISTICS

### 4.1 On-chip peripherals configuration

You can configure certain on-chip peripherals in ST7 Visual Develop's **MCU Configuration** dialog box so that the ST7-DVP3 accurately emulates your target device.

The on-chip peripheral options available for configuration for the ST7MDT20-DVP3 are described in this section.

#### MCU

The MCU Selection tab in STVD7's Project Settings window allows you to select from a list of MCUs that are supported by the software. The STVD7 release notes provide the most up to date list of supported microcontrollers for your emulator.

#### F<sub>OSC</sub>

The clock frequency (F<sub>OSC</sub>) options are summarized in [Table 8](#) below.

Clock options	Clock Source Location
16 MHz 8 MHz 4 MHz 2 MHz	On probe
External	Provided by user via the EXTCLK pin on connector W3 of the ST7 DVP3 MEB (MB352)

**Table 8: Clock frequency options**

#### F<sub>CPU</sub>

The CPU frequency (F<sub>CPU</sub>) is always in the range from 250 KHz to 8 MHz even if slow mode or PLL are selected.

The link between F<sub>CPU</sub> and F<sub>OSC</sub> is the following:

- if PLL is OFF: **F<sub>CPU</sub> = (F<sub>OSC</sub> / 2) / Slow mode**
- if PLL is ON: **F<sub>CPU</sub> = (F<sub>OSC</sub> \* 2) / Slow mode**

### Timer\_A and Timer\_B

Two 16-bit timers, Timer A and Timer B, are available. They consist of a 16-bit free-running counter driven by a programmable prescaler. Both timers feature output compare, pulse width modulation (PWM) and input capture functions with associated registers.

You can choose between two options: **Frozen\_when\_not\_run** and **Free\_when\_not\_run**. If you choose the **Frozen\_when\_not\_run** option, the counter will run while the application runs, but when a breakpoint is encountered, the counter will stop. If you choose the **Free\_when\_not\_run** option, the counter will continue to run even if a breakpoint is encountered.

*Note:* The `EXTCLK_A` pin of the timer is not frozen when the program is stopped.

### CSS (Clock Security System)

This option allows you to *Enable* or *Disable* the clock security system function (CSS) which includes the clock filter and the backup safe oscillator. When enabled, the selected `OSCRANGE` is used to determine the operating frequency range, and when the frequency is out of range, the clock source will be switched to the backup oscillator.

### OSCRANGE

This option allows you to select the normal operating frequency range for the Clock Security System (CSS). The following operating frequency range options are available:

- HS: 16..8 MHz
- MS: 8..4 MHz
- MP: 4..2 MHz
- LP: 2..1 MHz

### PLL

This option allows you to *Enable* or *Disable* the PLL which allows the multiplication by two of the main input clock frequency. The PLL is guaranteed only when the input frequency is between 2 and 4 MHz.

Refer to the datasheet of your target ST7 MCU for more information on the PLL.

### RSTC (Reset clock cycle selection)

This option allows you to select the number of CPU cycles applied during the RESET phase and when exiting HALT mode. You can choose between *4096 CPU cycles* and *256 CPU cycles*.

### VD (Voltage detection)

This option allows you to enable the voltage detection block (EVD only) with a selected lowest threshold for the LVD and AVD (VDD ~3v). This option is available only for packages having EVD pin (80 & 64 pins). The options available are:

- *EVD\_off* — EVD is disabled.
- *EVD\_on* — EVD is enabled

Refer to [Emulation functional limitations and discrepancies](#) on page 31 for more information.

### WDG.HALT (Watchdog halt)

There are two options: *Reset* or *No Reset*. If this option is set to *Reset*, when the Watchdog is enabled and a Halt instruction is encountered in the executable code, a chip reset will be performed. If this option is set to *No Reset*, no chip reset will be performed.

### WDG.SW (Watchdog)

This option allows you to choose whether the watchdog timer is enabled by software or by hardware.

Refer to the datasheet of your target ST7 MCU for more information on the watchdog timer.

## 4.2 Emulation functional limitations and discrepancies

- All evolutions of discrepancies according to the hardware used are available in a specific window of the debugger. You can access to this information in ST7 Visual Develop's **Emulator discrepancies** dialog box under **Emulator** menu.
- In reference to the option [VD \(Voltage detection\)](#) on page 31:
  - The LVD option is always turned off in HALT/Active HALT mode, no matter what the selected VD option is.
- Power supply configuration of the ST7 DVP3 can be either 3.3 V or 5 V through the SW1 switch located on the ST7-DVP3 MEB (DB352). Consequences on Port I/Os are the following:

- Port G and H I/Os are always TTL 3.3 V compatible whatever the SW1 position chosen.
- Other than Port G and H I/Os are 3.3 V or 5 V CMOS compatible depending of the SW1 position chosen.



## 5 PROGRAMMING WITH YOUR ST7MDT20-DVP3

Once bug-free and ready for operation, your application program needs to be transferred into an ST7 MCU program space.

Refer to the *ST7-DVP3 Emulator User Manual* for instructions on how to program using STVP7.

## APPENDIX A EMC CONFORMITY AND SAFETY REQUIREMENTS

This product respects the EMC requirements of the European guideline 89/336/EEC under the following conditions:

- Any tester, equipment, or tool used at any production step, or for any manipulation of semiconductor devices, must have its shield connected to ground.
- All provided ferrites must be attached as described in the hardware installation instructions of the relevant user manual(s).
- The product must be placed on a conductive table top, made of steel or clean aluminum, or covered by an antistatic surface (superficial resistivity equal to or higher than  $0.5 \text{ M}\Omega/\text{cm}^2$ ), grounded through a ground cable (conductive cable from protected equipment to ground isolated with a  $1 \text{ M}\Omega$  resistor placed in series). All manipulation of finished must be done at such a grounded worktable.
- The worktable must be free of all non-antistatic plastic objects.
- An antistatic floor covering grounded through a conductive ground cable (with serial resistor between  $0.9$  and  $1.5 \text{ M}\Omega$ ) should be used.
- It is recommended that you wear an antistatic wrist or ankle strap, connected to the antistatic floor covering or to the grounded equipment.
- If no antistatic wrist or ankle strap is worn, before each manipulation of the powered-on tool, you must touch the surface of the grounded worktable.
- It is recommended that antistatic gloves or finger coats be worn.
- It is recommended that nylon clothing be avoided while performing any manipulation of parts.
- If you are using this product under conditions where there may be blackouts or power surges (such as during an electrical storm), it is recommended that you isolate it by elevating it at least 10 cm above the grounded work surface using blocks of insulating material.

## PRODUCT SUPPORT

If you experience any problems with this product, or if you need spare parts or repairs, contact the distributor or the STMicroelectronics sales office where you purchased the product. Phone numbers for major sales regions are provided in the [Contact List](#), below.

In addition, at our Internet site **mcu.st.com**, you will find a complete listing of ST sales offices and distributors, as well as documentation, software downloads and user discussion groups to help you answer questions and stay up to date with our latest product developments.

## Software updates

All our latest software and related documentation are available for download from the ST Internet site, **mcu.st.com**. For information about firmware and hardware revisions, call your distributor or ST using the [Contact List](#) provided below.

## Hardware spare parts

Your development tool comes with the hardware you need to set it up, connect it to your PC and connect to your application. However, some components can be bought separately if you need additional ones. You can order extra components, such as sockets and adapters, from STMicroelectronics, from the component manufacturer or from a distributor.

### Sockets

Complete documentation and ordering information for P/TQFP sockets from Yamaichi, Ironwood, CAB and Enplas are provided at the following Internet sites:

**[www.yamaichi.de](http://www.yamaichi.de)**

**[www.ironwoodelectronics.com](http://www.ironwoodelectronics.com)**

**[www.cabgmbh.com](http://www.cabgmbh.com)**

**[www.enplas.com](http://www.enplas.com)**

### Connectors

Complete documentation and ordering information for SAMTEC connectors is provided at **[www.samtec.com](http://www.samtec.com)**.

## Getting prepared before you call

Collect the following information about the product before contacting ST or your distributor:

- 1 Name of the company where you purchased the product.
- 2 Date of purchase.
- 3 Order Code: Refer to the side your emulators box. The order code will depend on the region in which it was ordered (i.e. the UK, Continental Europe or the USA).
- 4 Serial Number: The serial number is found on the Global Reference card provided with the emulator.
- 5 TEB (Target Emulation Board) hardware and firmware versions: The hardware and firmware versions can be found by opening an STVD7 session, entering the debug context and selecting **Help>About** from the main menu. The TEB version numbers are given in the *Target box* – scroll downwards until you find the TEB version (hardware) and TEB PLD version (firmware).
- 6 Target Device: The sales type of the ST microcontroller you are using in your application.

# Contact List

## North America

---

### Canada and East Coast

STMicroelectronics  
 Lexington Corporate Center  
 10 Maguire Road, Building 1, 3rd floor  
 Lexington, MA 02421  
 Phone: (781) 402-2650

### Mid West

STMicroelectronics  
 1300 East Woodfield Road, Suite 410  
 Schaumburg, IL 60173  
 Phone: (847) 585-3000

### West coast

STMicroelectronics, Inc.  
 1060 E. Brokaw Road  
 San Jose, CA 95131  
 Phone: (408) 452-8585

*Note: For American and Canadian customers seeking technical support the US/Canada is split in 3 territories. According to your area, contact the appropriate sales office from the list above and ask to be transferred to an 8-bit microcontroller Field Applications Engineer.*

## Europe

---

**France** +33 (0)1 47 40 75 75

**Germany** +49 89 46 00 60

**U.K.** +44 162 889 0800

## Asia/Pacific Region

---

**Japan** +81 3 3280 4120

**Hong-Kong** +85 2 2861 5700

**Sydney** +61 2 9580 3811

**Taipei** +88 6 2 2378 8088

Information furnished is believed to be accurate and reliable. However, STMicroelectronics assumes no responsibility for the consequences of use of such information nor for any infringement of patents or other rights of third parties which may result from its use. No license is granted by implication or otherwise under any patent or patent rights of STMicroelectronics. Specifications mentioned in this publication are subject to change without notice. This publication supersedes and replaces all information previously supplied. STMicroelectronics products are not authorized for use as critical components in life support devices or systems without express written approval of STMicroelectronics.

The ST logo is a registered trademark of STMicroelectronics.  
All other names are the property of their respective owners

© 2004 STMicroelectronics - All rights reserved

STMicroelectronics group of companies  
Australia – Belgium - Brazil - Canada - China – Czech Republic - Finland - France - Germany - Hong Kong - India - Israel - Italy - Japan -  
Malaysia - Malta - Morocco - Singapore - Spain - Sweden - Switzerland - United Kingdom - United States of America  
**www.st.com**