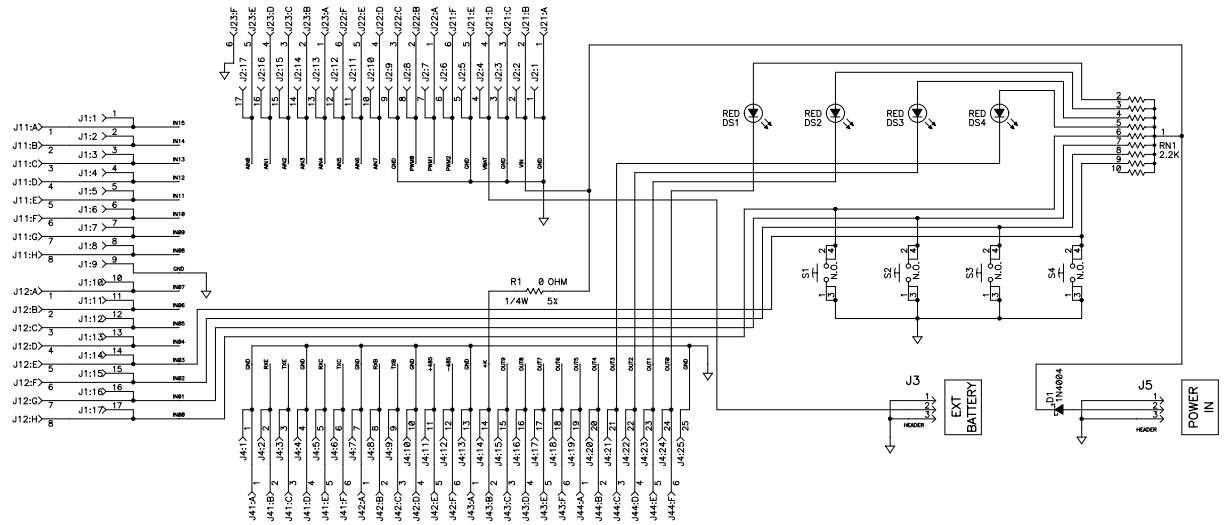


REVISION HISTORY			REVISION APPROVAL			
REV	ECO	DESCRIPTION	PROJECT ENGINEER	APPROVAL DATE	DOCUMENT CONTROL	APPROVAL DATE
A	E11999	INITIAL RELEASE	JF	7/11/02	KIS	7/11/02



APPEND THE FOLLOWING DOCUMENTS WHEN CHANGING THIS DOCUMENT:		DRAWING CONTENT:		TITLE	
		DRAWN BY: (INITIAL RELEASE) J. FENG	15MAR02	LP3500 LOW POWER CONTROLLER PROTOTYPING BOARD	
		REVISED BY:			
APPROVALS: INITIAL RELEASE				SIZE	DWG NO.
PROJECT ENGINEER: J.FENG			7/11/02	B	090-0151
ENGINEERING MANAGER: R.MATTHEWS			7/11/02		
SIGNATURES	DATE	SCALE	NONE	RELEASE DATE	SHEET 1 OF 1

