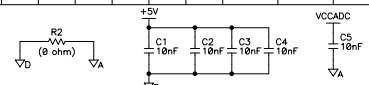


REV		ECO		DESCRIPTION	PROJECT ENGINEER	APPROVAL DATE	DOCUMENT CONTROL	APPROVAL DATE
A	---	---	---	PROTOTYPE RELEASE, TRACKS A/W @ REV-A	---	---	---	---
B	E11217			INITIAL RELEASE TRACK A/W @ REV-B	DM	28NOV00	KIS	1/20/01
C	E11453			CONNECTED /IOWR TO U4, UPDATED FOR SR9320	DM	20MAR01	KIS	3/20/01
D	E11564			CHANGED PE7 TO OUTPUT INHIBIT	DM	28JUN01	KIS	7/17/01

TABLE A

REF DES	DEVICE	AGND	DGND	+5V	VCC1	VCC2	VCC3	ADREF	VCCADC	NC	DEVICE: FILTER CAP REF DES(9)
U1	24C04		4	8							C1
U2	74HC165	10	20							1,6,11,18	C2
U3	74HC125	7	14								C3
U4	PALCE16V8			10	20						C4
U5	TLC2543	10							20		C5, C44
U6	LP2951A										
U20	LMC660	11		4							C12
U21	LMC660	11			4						C13
U22	LMC660	11				4					C14
U23	LM4840										C41
U24	LM7301	2							5		C11



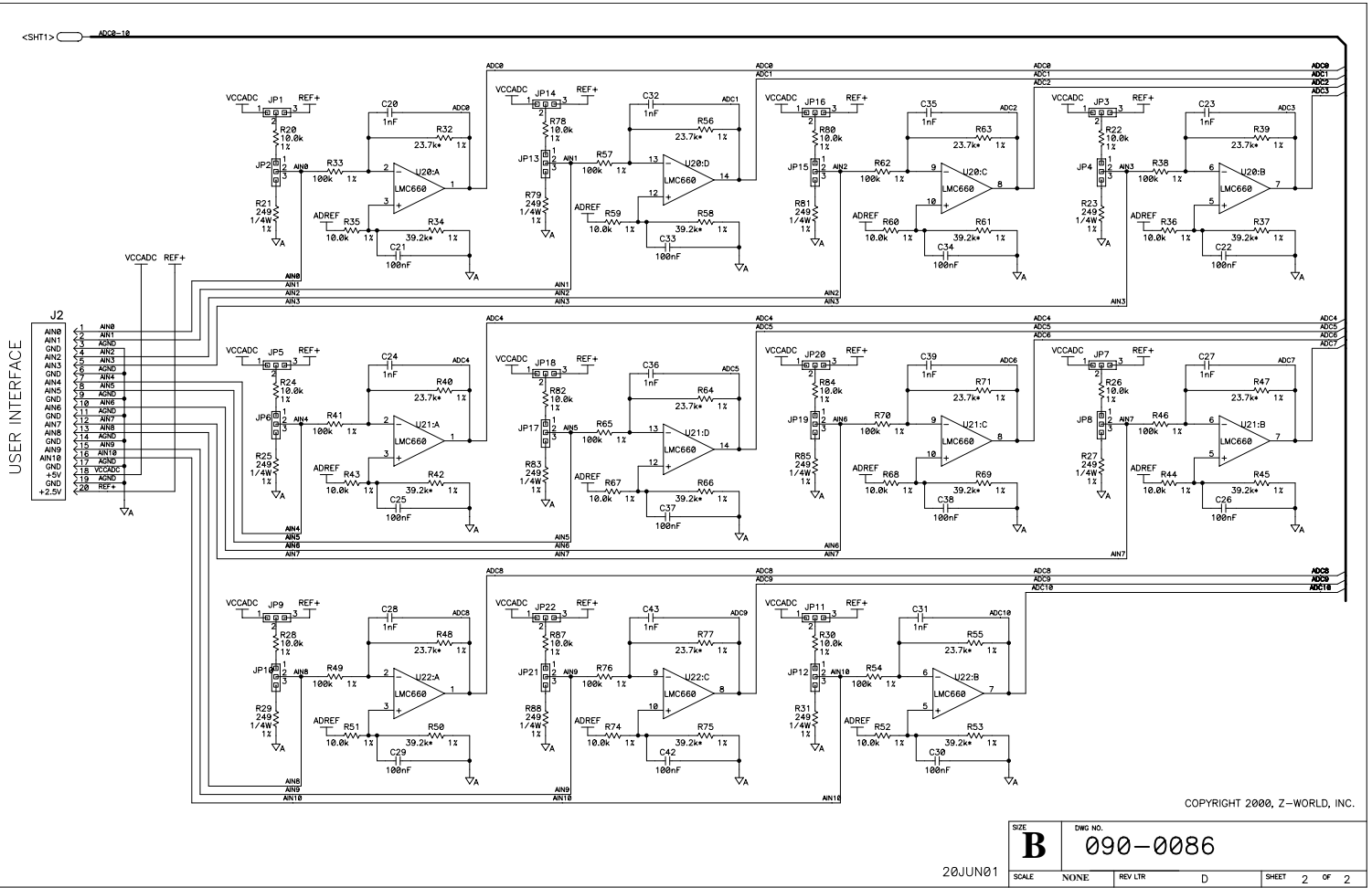
STUFFING TABLE

CIRCUIT	PART	MODEL		
		SR9300	SR9310	SR9320
GAIN RESISTOR	R32,39,40,47,48,55, R56,63,64,71,77	23.7k 1%	12.1k 1%	60.4k 1%
BIAS RESISTOR	R34,37,42,45,50,53 R58,61,66,69,75	39.2k 1%	8.06k 1%	32.4k 1%
EXCITATION SELECT OR 4-20mA SELECT	JP2,JP4,JP6,JP8 JP10,JP12,JP13 JP15,JP17,JP19 JP21	NOT INSTALLED	NOT INSTALLED	INSTALLED 2-3
EXCITATION VOLTAGE SELECT	JP1,JP3,JP5,JP7 JP9,JP11,JP14, JP16,JP18,JP20 JP22	NOT INSTALLED	NOT INSTALLED	NOT INSTALLED

- NOTES: UNLESS OTHERWISE SPECIFIED:
- ALL RESISTOR VALUES ARE IN OHMS, 1/10W, 5%
 - ALL CAPACITORS ARE 50VDC OR HIGHER.
 - THE ORIGINATOR SOURCE OF A VOLTAGE IS REPRESENTED BY (VCC), AND ALL REFERENCES TO THAT VOLTAGE ARE REPRESENTED BY (VCC).
- OUTLINED CIRCUIT MAY NOT BE STUFFED DEPENDING ON MODEL, SEE STUFFING CHART FOR CLARIFICATION.
- COMPONENT VALUES SHOWN WITH AN ASTERISK (*) FOLLOWING THE VALUE, MAY HAVE DIFFERENT VALUES, OR MAY NOT BE STUFFED DEPENDING ON MODEL. SEE STUFFING CHART FOR CLARIFICATION.

APPEND THE FOLLOWING DOCUMENTS WHEN CHANGING THIS DOCUMENT:	DRAWING CONTENT:	TITLE	
	DRAWN BY: (INITIAL RELEASE) RAF 18JUN99 REVISED BY: DM 20JUN01 APPROVALS: INITIAL RELEASE PROJECT ENGINEER: Darren Musgrove 7/20/01 ENGINEERING MANAGER: R. Matthews 7/20/01 SIGNATURES DATE		
		SIZE B DWG NO. 090-0086	2900 SPAFFORD ST. DAVIS, CA 95616 530-757-4616
		SCALE NONE	SHEET 1 OF 2

<SHT1> ADC8-18



COPYRIGHT 2000, Z-WORLD, INC.

SIZE	DWG NO.
B	090-0086
SCALE	NONE
REV	LTR
D	
SHEET	2 OF 2

20JUN01