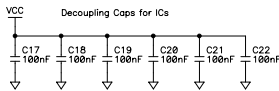
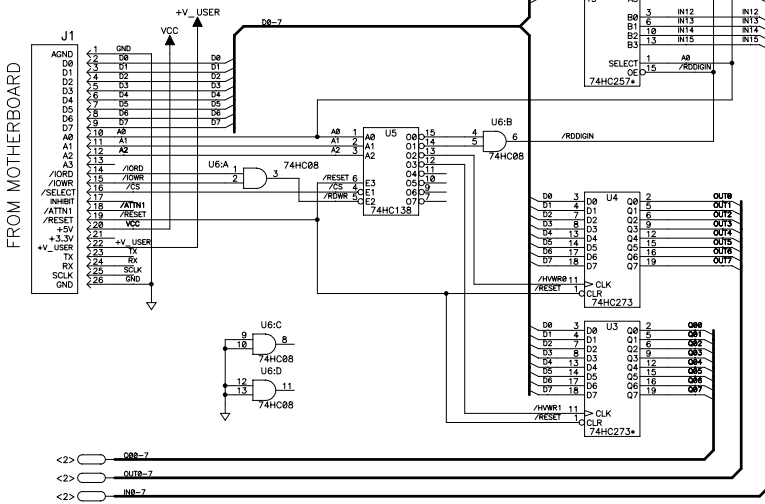


- NOTES: UNLESS OTHERWISE SPECIFIED:
1. ALL RESISTOR VALUES ARE IN OHMS, 1/16W, 5%.
  2. ALL CAPACITORS ARE 50VDC OR HIGHER.
  3. THE ORIGINATION SOURCE OF A VOLTAGE IS REPRESENTED BY (VCC), AND ALL REFERENCES TO THAT VOLTAGE ARE REPRESENTED BY (VCC).

4. OUTLINED CIRCUIT MAY NOT BE STUFFED DEPENDING ON MODEL, SEE STUFFING CHART FOR CLARIFICATION.

5. COMPONENT VALUES SHOWN WITH AN ASTERISK (\*) FOLLOWING THE VALUE, MAY HAVE DIFFERENT VALUES, OR MAY NOT BE STUFFED DEPENDING ON MODEL. SEE STUFFING CHART FOR CLARIFICATION.



REVISION HISTORY		REVISION APPROVAL				
REV	ECO	DESCRIPTION	PROJECT ENGINEER	APPROVAL DATE	DOCUMENT CONTROL	APPROVAL DATE
A	E11383	INITIAL RELEASE, TRACKS A/W @ REV-A	XT	2/1/01	KIS	2/1/01
B	E11564	CHANGED PE7 TO OUTPUT INHIBIT	DM	28JUN01	KIS	7/17/01

TABLE A

REF DES	DEVICE	DEVICE VOLTAGE INFORMATION					DEVICE: FILTER CAP REF DES(s)
		AGND	GND	VCC	-5V	NO CONNECTS	
U1	74HC257		8	16			C17
U2	74HC257		8	16			C18
U3	74HC273		10	20			C19
U4	74HC273		10	20			C20
U5	74HC138		8	16			C21
U6	74HC08		7	14			C22

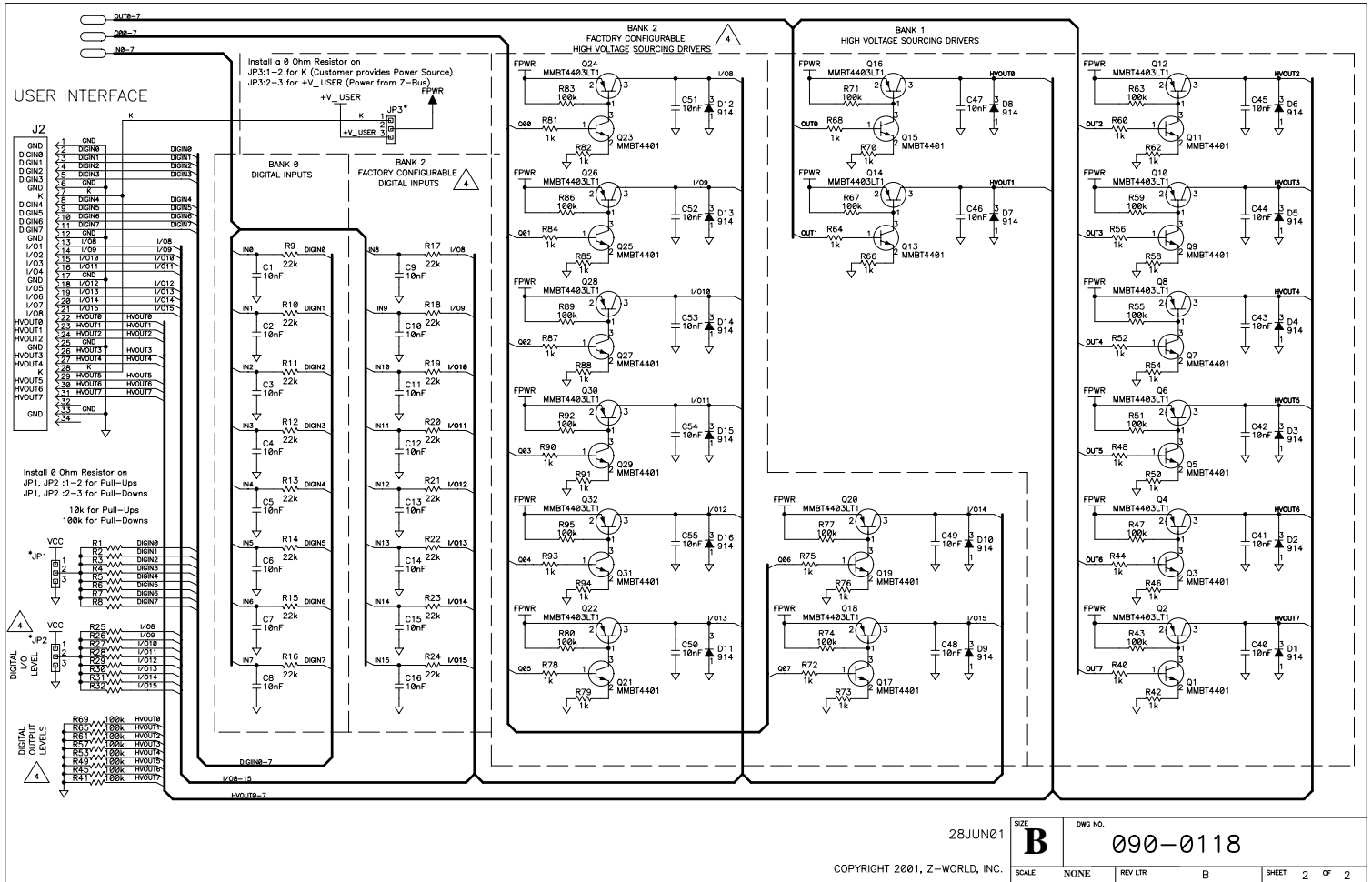
STUFFING TABLE

CIRCUIT	PART	MODEL		
		SR9205 16 INPUT 8 OUTPUT	SR9215 8 INPUT 16 OUTPUT	SR9225 8 INPUT 8 OUTPUT
FPWR SELECT	JP3	ZERO OHM ACROSS PINS 2-3	ZERO OHM ACROSS PINS 2-3	ZERO OHM ACROSS PINS 2-3
DIGITAL I/O LEVEL	JP2	ZERO ohm ACROSS PINS 1-2 10k OHMS	ZERO ohm ACROSS PINS 2-3 100k OHMS	NOT INSTALLED
HIGH VOLTAGE SOURCING DRIVERS	DRIVER R72-95 C48-55 D9-16 Q17-32	NOT INSTALLED	INSTALLED	NOT INSTALLED
	DRIVER CHIP U3 C19	NOT INSTALLED	INSTALLED	NOT INSTALLED
DIGITAL INPUTS	INPUT CONDITIONING R17-24 C9-16	INSTALLED	NOT INSTALLED	NOT INSTALLED
	DRIVER CHIP U2 C18	INSTALLED	NOT INSTALLED	NOT INSTALLED
INPUT LEVEL SELECT	JP1	ZERO OHM ACROSS PINS 1-2	ZERO OHM ACROSS PINS 1-2	ZERO OHM ACROSS PINS 1-2

APPEND THE FOLLOWING DOCUMENTS WHEN CHANGING THIS DOCUMENT:		DRAWING CONTENT:		TITLE	
		DRAWN BY: (INITIAL RELEASE)	KAH	DATE	09NOV00
		REVISED BY:	DM	DATE	28JUN01
		APPROVALS: INITIAL RELEASE			
		PROJECT ENGINEER:	X. Truong	DATE	2/1/01
		ENGINEERING MANAGER:	R. Matthews	DATE	2/1/01
		SIGNATURES		DATE	
		SIZE	<b>B</b>	DWG NO.	090-0118
		SCALE	NONE	RELEASE DATE	
					SHEET 1 OF 2



COPYRIGHT 2001, Z-WORLD, INC.



28JUN01

SIZE **B**

DWG. NO.

090-0118

COPYRIGHT 2001, Z-WORLD, INC.

SCALE NONE REV LTR B SHEET 2 OF 2