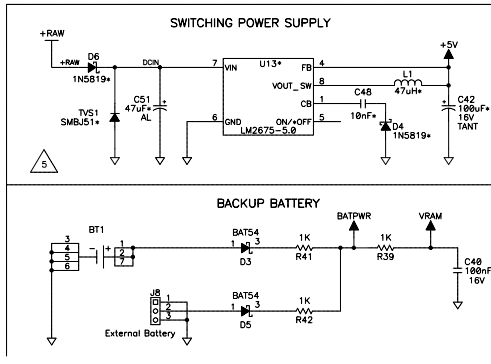


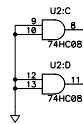
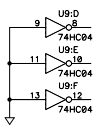
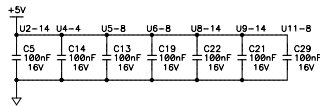
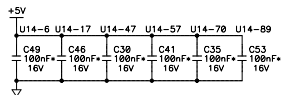
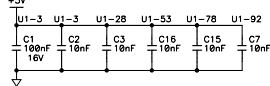
- NOTES: UNLESS OTHERWISE SPECIFIED:
1. ALL RESISTOR VALUES ARE IN OHMS, 1/16W, 5X
 2. ALL JUMPER RESISTORS ARE 0 OHMS 0805 PACKAGE.
 3. ALL CAPACITORS ARE 50VDC OR HIGHER.
 4. THE ORIGINATION SOURCE OF A VOLTAGE IS REPRESENTED BY (VCC), AND ALL REFERENCES TO THAT VOLTAGE ARE REPRESENTED BY (VTT).

5 OUTLINED CIRCUIT NOT STUFFED.

6. COMPONENT VALUES SHOWN WITH AN ASTERISK (*) FOLLOWING THE VALUE, MAY HAVE DIFFERENT VALUES OR MAY NOT BE STUFFED DEPENDING ON MODEL. SEE STUFFING CHART FOR CLARIFICATION.



Decoupling Capacitors



RP4A 47K Ω

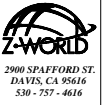
REVISION HISTORY			REVISION APPROVAL			
REV	ECO	DESCRIPTION	PROJECT ENGINEER	APPROVAL DATE	DOCUMENT CONTROL	APPROVAL DATE
A	E11809	INITIAL RELEASE	XT	2/4/02	KIS	2/4/02
B	E11834	REMOVE UNUSED REFERENCES FOR CLARIFICATION	XT	2/15/02	KIS	2/15/02
C	E12884	REMOVE RT1, CHANGE R1 TO 11K (BATTERY CIRCUIT PG. 2)	XT	9/19/02	KIS	9/19/02
D	E12311	REMOVE PDS FROM J1, REWIRE PDS TO ETHERNET (U14).	XT	6/19/03	KIS	6/18/03
E	E12402	IMPROVE ETHERNET JACK, REMOVE CAPS, BETTER CONNECTOR.	XT	9/23/03	KF	9/23/03

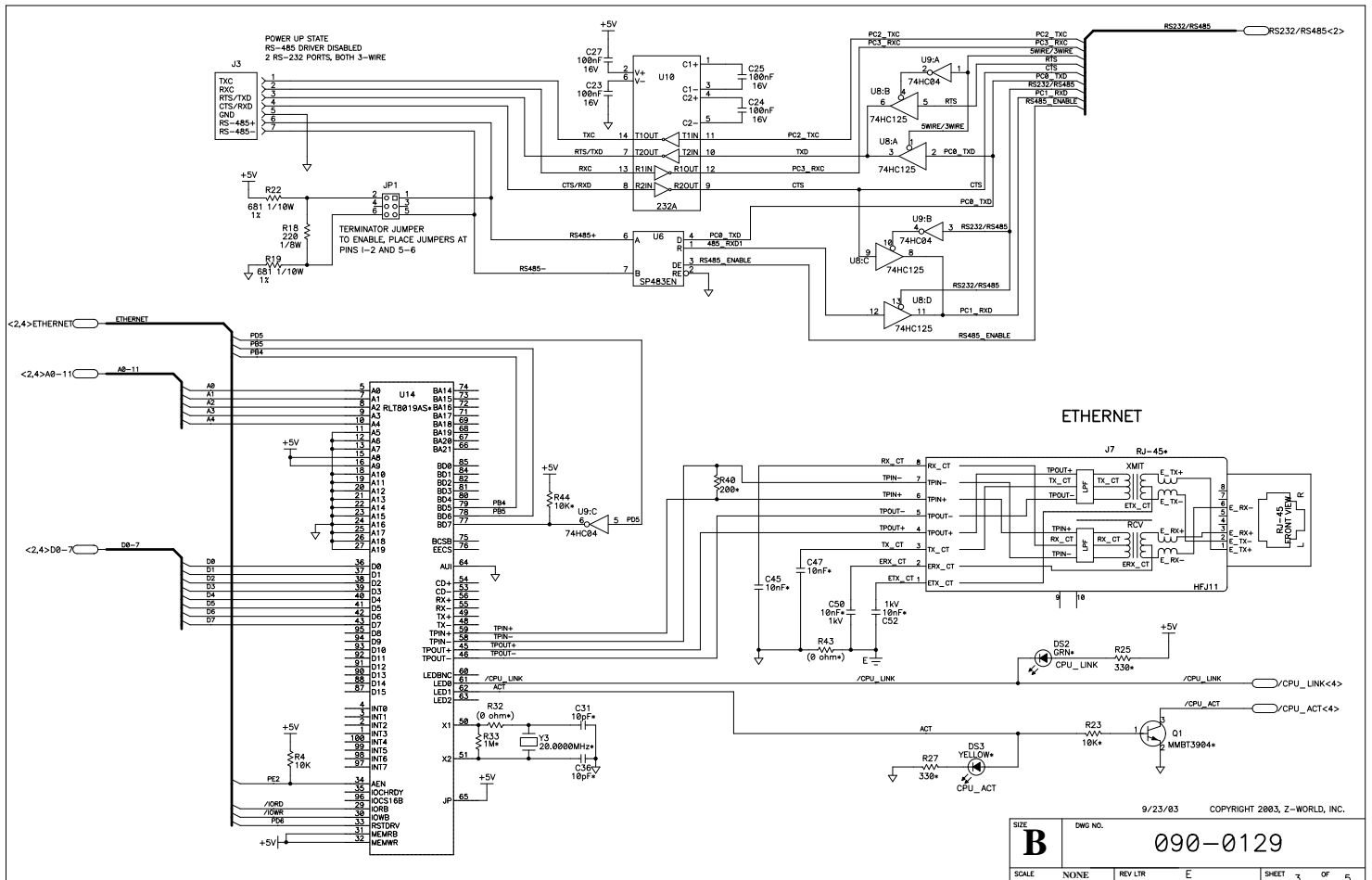
TABLE A

REF DES	DEVICE	DEVICE VOLTAGE INFORMATION				DEVICE: FILTER CAP REF DES(s)
		GND	+5V	VRAM	NO CONNECTS	
U1	RABBIT 2000	2,27,39, 52,77,89	3,28,53,78,92			PN3 - C14 + C15 C23, C24, C17, C16
U2	74HC08	7	14			C5
U3	74AHC1GU04	3	5			
U4	ETC811L	1	4			C14
U5	FLASH	24	8			C13
U6	SP483E	5	8			C19
U7	SRAM 512K X 8	16		32		C20
	SRAM 128K X 8	16		32		
U8	74HC125	7	14			C22
U9	74HC04	7	14			C21
U10	232A	15	16			C26, C28
U11	FLASH	24	8			C29
U12	232A	15	16			C43, C44
U13	LM2575-5.0				2-6,9,11,13,16, 19-24	
U14	RTL8019AS	14,28,44, 52,83,86	6,17,47, 57,70,89			C48, C44, C32, C45, C46, C49

COPYRIGHT 2003, Z-WORLD, INC.

APPEND THE FOLLOWING DOCUMENTS WHEN CHANGING THIS DOCUMENT:		DRAWING CONTENT:		TITLE	
		DRAWN BY: (INITIAL RELEASE)	XUAN TRUONG	SCHEMATIC DIAGRAM	
		REVISOR BY:	K.FREEMAN	SR9150/9160	
		APPROVALS: INITIAL RELEASE		SMART STAR CPU	
		PROJECT ENGINEER:	XUAN TRUONG	SIZE	DWG NO.
		ENGINEERING MANAGER:	R.MATTHEWS	B	090-0129
		SIGNATURES	DATE	SCALE	NONE
			2/4/02	RELEASE DATE	2/4/02
				SHEET	1 OF 5





STUFFING TABLE

CIRCUIT	PART	MODEL		
		SR9150	SR9160	
POWER SUPPLY (PAGE 1)	TVS1	NOT INSTALLED	NOT INSTALLED	
	C51	NOT INSTALLED	NOT INSTALLED	
	C48	NOT INSTALLED	NOT INSTALLED	
	C42	NOT INSTALLED	NOT INSTALLED	
	D4, D6	NOT INSTALLED	NOT INSTALLED	
	U13	NOT INSTALLED	NOT INSTALLED	
	L1	NOT INSTALLED	NOT INSTALLED	
	R35, R38	NOT INSTALLED	NOT INSTALLED	
SRAM (PAGE 2)	MAIN	U7	128K SRAM	128K SRAM
	SRAM SELECT	JP3	ZERO ohm ACROSS PINS 1-2	ZERO ohm ACROSS PINS 1-2
FLASH (PAGE 2)	FLASH 1	U11	256K FLASH	256K FLASH
	FLASH 1 SELECT	JP4	ZERO ohm ACROSS PINS 1-2	ZERO ohm ACROSS PINS 1-2
	ADDR. BANK SELECT	JP5	ZERO ohm ACROSS PINS 1-2	ZERO ohm ACROSS PINS 1-2
	FLASH 2	U5	256K FLASH	256K FLASH
	FLASH 2 SELECT	JP2	ZERO ohm ACROSS PINS 1-2	ZERO ohm ACROSS PINS 1-2

CIRCUIT	PART	MODEL	
		SR9150	SR9160
ETHERNET (PAGE 3)	C50, C52	NOT INSTALLED	NOT INSTALLED
	C45, C47	10nF	NOT INSTALLED
	C31, C36	10pF	NOT INSTALLED
	C30, C35	100nF-16V	NOT INSTALLED
	C41, C46	100nF-16V	NOT INSTALLED
	C49, C53	100nF-16V	NOT INSTALLED
	Q1	3904 NPN	NOT INSTALLED
	DS2	GREEN LED	NOT INSTALLED
	DS3	YELLOW LED	NOT INSTALLED
	R43	0 ohm	NOT INSTALLED
	R40	200 ohm	NOT INSTALLED
	R33	1M	NOT INSTALLED
	R32	0 ohm	NOT INSTALLED
	R25, R27	330 ohm	NOT INSTALLED
	R23, R44	10K	NOT INSTALLED
	U14	RTL8019AS	NOT INSTALLED
	Y3	20 MHZ CRYSTAL	NOT INSTALLED
J7	RJ-45	NOT INSTALLED	

9/23/03 COPYRIGHT 2003, Z-WORLD, INC.

SIZE B	DWG NO. 090-0129
SCALE NONE	REV LTR E
SHEET 5 OF 5	