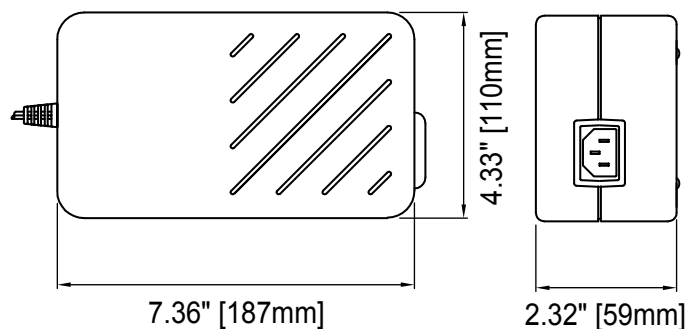


FWP100F series

100 Watt AC Adapter with PFC



Features

- Wide range AC input
- Fully regulated output
- High efficiency
- Power Factor Correction (PFC) circuit
- 5 year warranty
- RoHs Compliant

Environmental

- Operating temperature..... 0° C to 40° C
- Storage temperature..... -55° C to 85° C
- Weight = 2.35 lbs

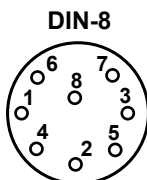
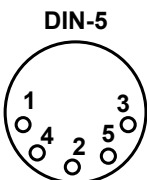
EMC

- Emissions: EN55022 and FCC Part 15, Class B.
Conducted and Radiated
EN61000-3-2, -3, Class D
- Immunity: EN61000-4-2, -3, -4, -5, -6, -8, -11
- CE marked to LVD and EMC Directive

Safety

- c CSA us
- UL 60950-1
- CB per IEC 60950-1
- CSA C22.2 No.60950-1
- Class I

Polarity	1	2	3	4	5	6	7	8
DIN-5	Com	Com	V	Com	V	-	-	-
DIN-8	V1	V1	Com	V1	Com	V1	Com	Com



Electrical Specifications

Input

- Voltage..... 100 - 240 VAC
- Current..... 3.0 Amp @ 100 VAC
- Frequency..... 47 - 63 Hz
- AC cord..... Optional
- Input connector..... 3 Pin IEC 320 input receptacle

Output

- Total regulation..... TYP +/- 5%
- Set point..... +/- 3% at 60% load
- Hold up time..... 20 ms min at full load, 115 VAC
- Over voltage protection..... Built-in
- Over current protection..... Built-in
- Short circuit protection..... Pulsing mode, auto recovery
- Efficiency..... 80% min at full load and 115 VAC
- Transient response..... 2 ms for 50% load change typical
- Ripple/noise (V_{p-p})..... +/- 1% (20 MHz bandwidth)
- Output connector..... DIN (5 pin or 8 pin)

Model No.	Voltage	Power	Current
FWP10012-D8F-NC	12V	100W	8.3A
FWP10024-D5F-NC	24V	100W	4.15A