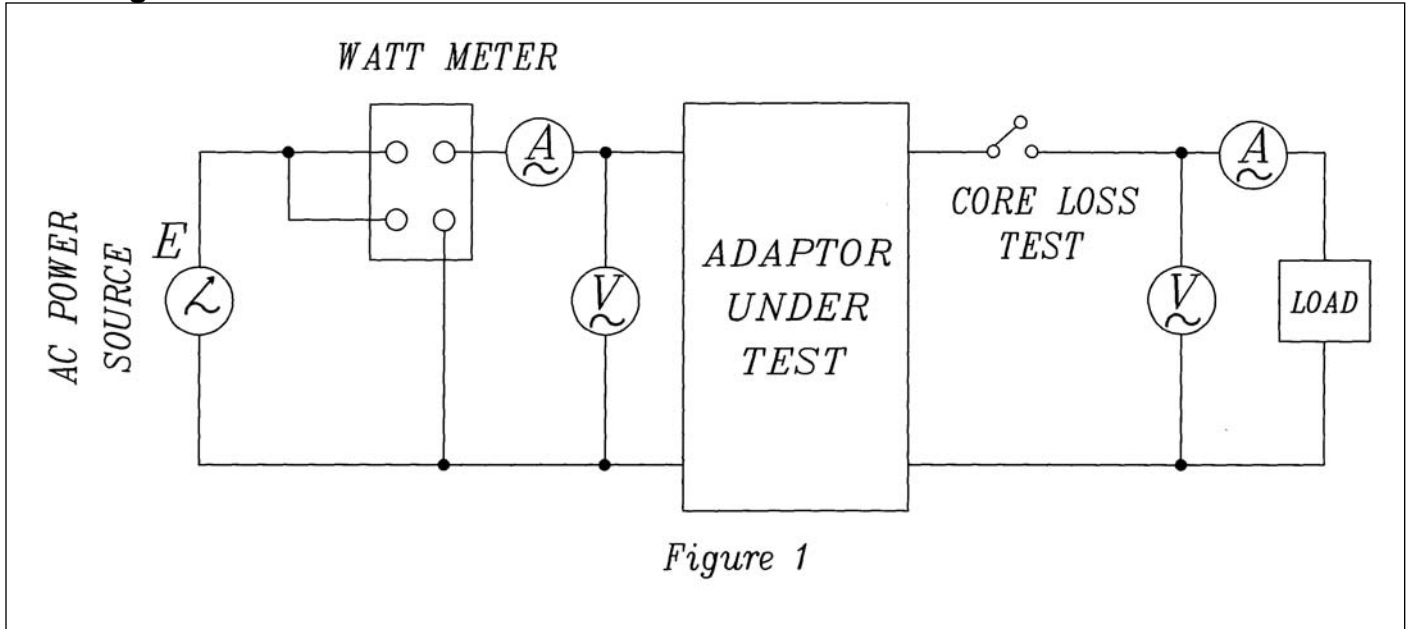
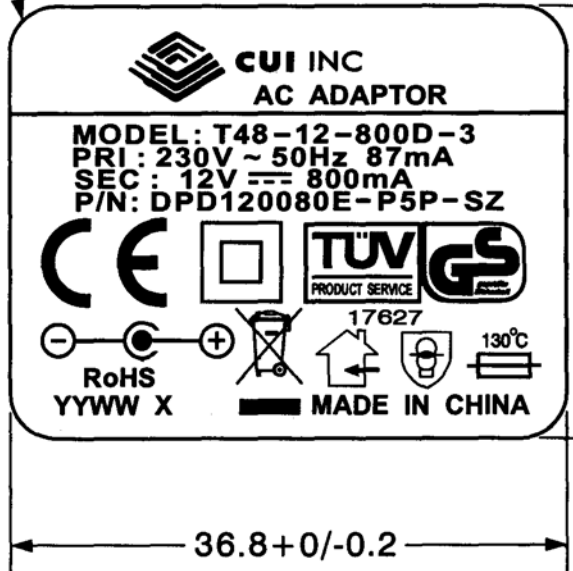




Specifications

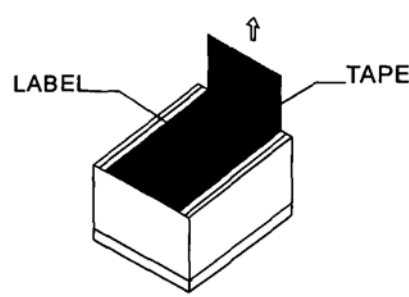
Output voltage	12 V dc at 800 mA	
Primary rated input	230 V ac 50 Hz 87 mA	
Primary exciting current	70 mA rms max.	
Secondary rated voltage & current	no load voltage (max.)	17.5 V max.
	full load volatge (800 mA)	12 V ±5%
Temperature rise of primary winding (full load)	70°C max. using resistance method	
Insulation resistance	≥ 100 M Ohm at 500 V dc	
HI-POT test	from input to output for 1 min.	3000 V ac at 2 mA
	from input to output for 1 sec.	3750 V ac at 2 mA
	from primary to seconardy winding for 1 sec.	4500 V ac at 2 mA
	from primary winding to core for 1 sec.	4500 V ac at 2 mA
	from secondary winding to core for 1 sec.	1500 V ac at 2 mA
Safety standard	TUV/GS	
RoHS compliant	yes	
Test conditions	Ambient temp	40°C ±2°C
	Humidity	90-95% 96 hours at Full Load
	Rated voltage	8 hours at full load
Color	Case	black
	Cord	black
	Plug top	black

Test Diagram

Label



Adhesive tape: 3m #44 tape 18 width
 Thickness: 0.2mm
 Material: PVC polyester
 Color: black on silver base

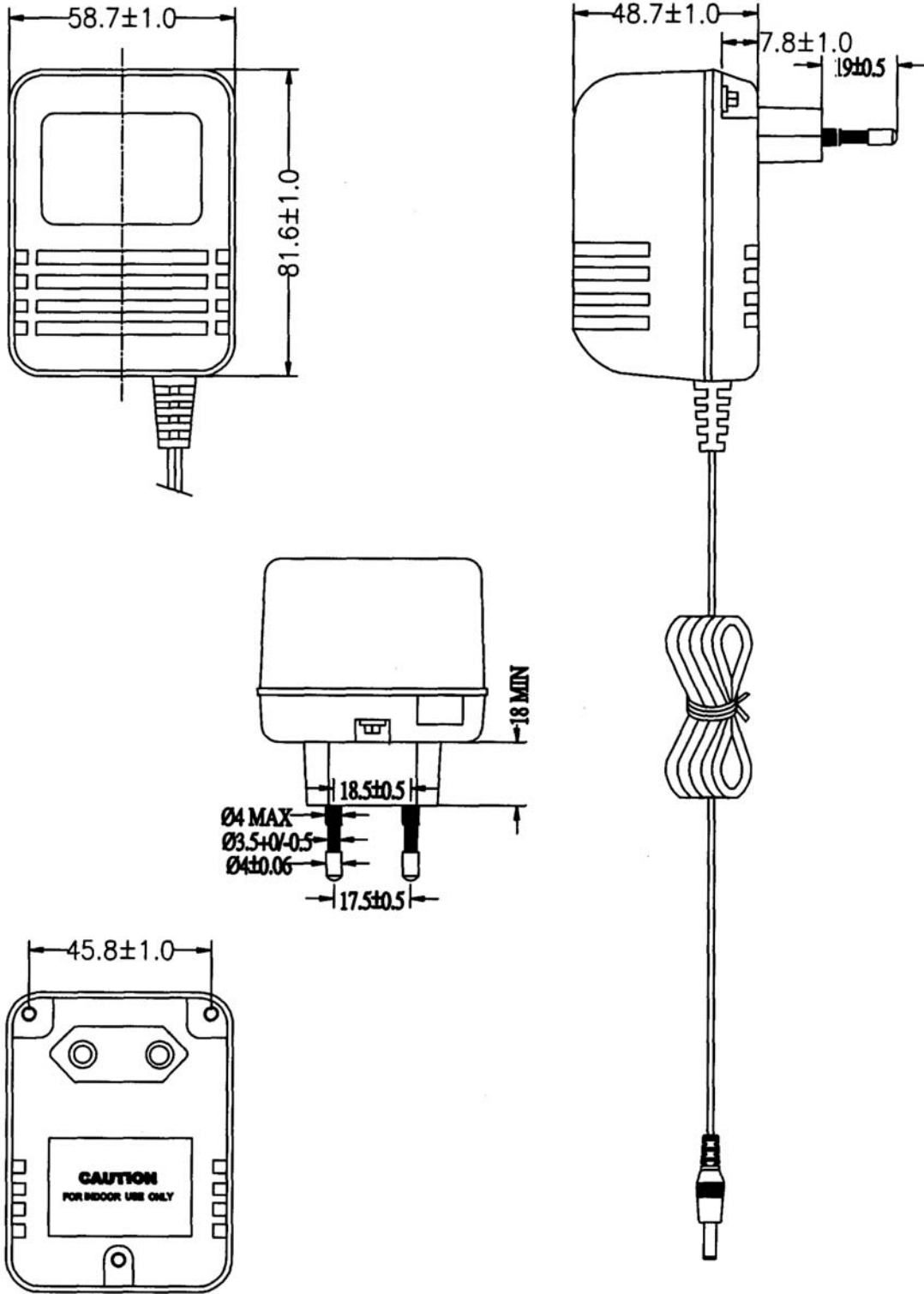
Remarks: YYWW S
 YY=production year
 WW=production week
 S=production location





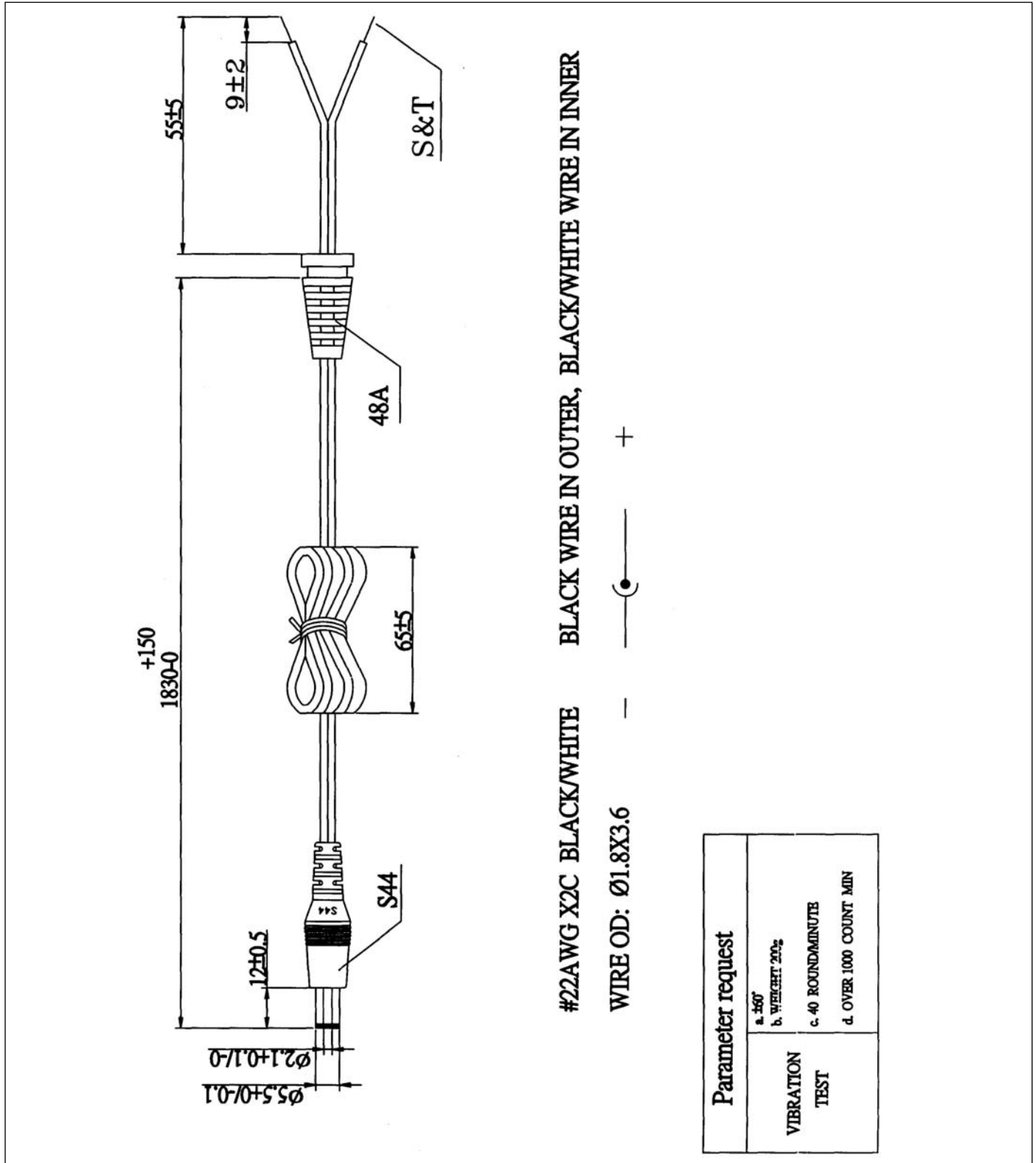
Mechanical Drawing

Tolerance: ± 1





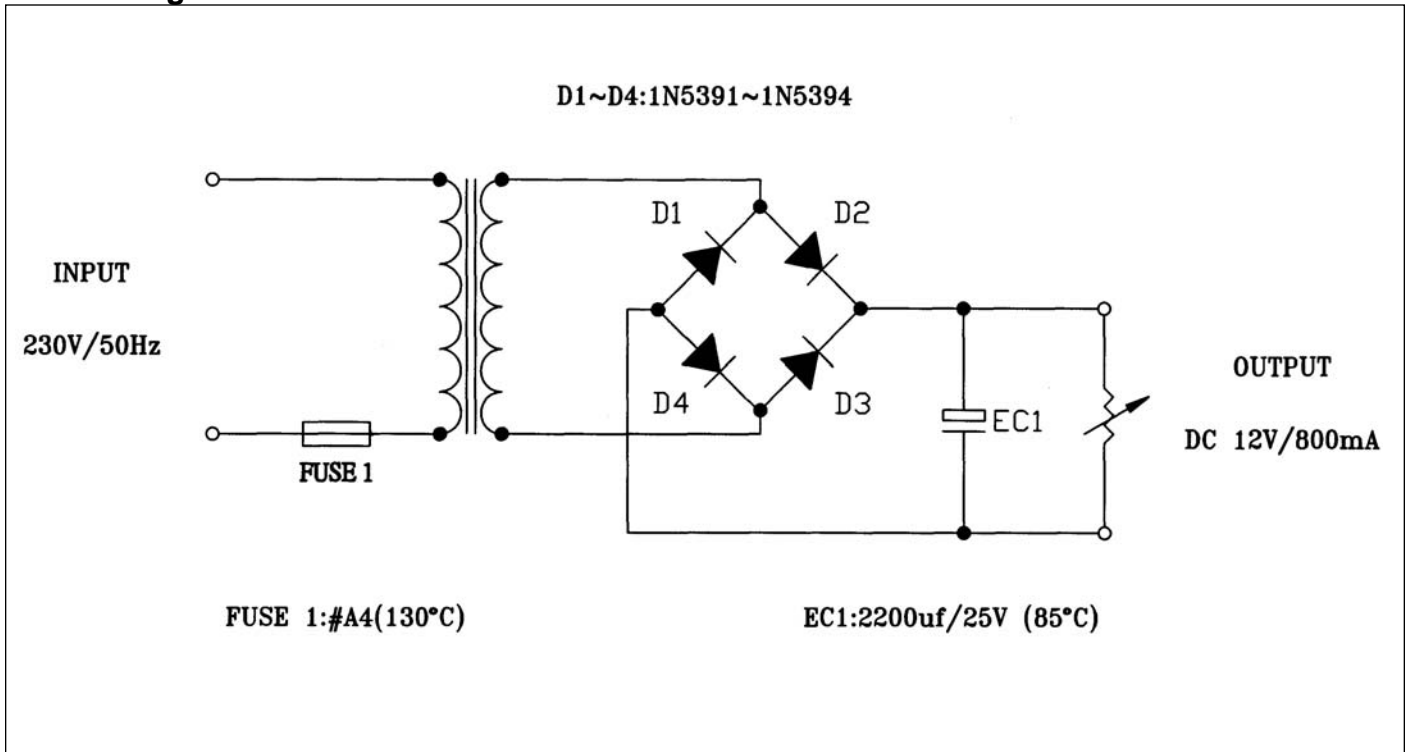
Cord



Parameter request	
VIBRATION TEST	a. 160'
	b. WEIGHT 20%
	c. 40 ROUND/MINUTE
	d. OVER 1000 COUNT MIN



Circuit Diagrams





CUI INC

Part No: DPD120080E-P5P-SZ

Date: 2/27/2006

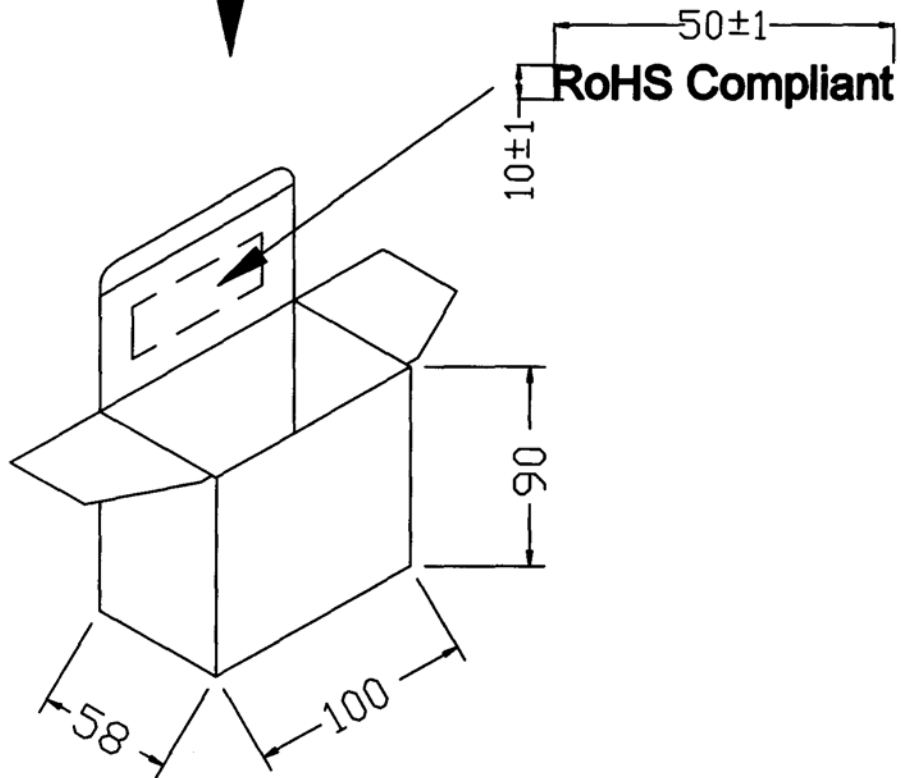
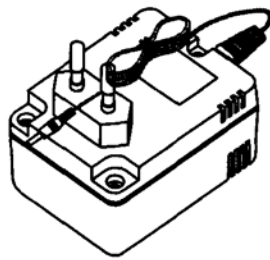
Unit: mm

Description: linear power supply

Page No: 6 of 7

Packaging

Tolerance: ± 1





CUI INC

Part No: DPD120080E-P5P-SZ

Description: linear power supply

Date: 2/27/2006

Unit: mm

Page No: 7 of 7

Packaging

Tolerance: +7/-0

CARTON MATERIAL:A=B(6mm)

CARTON SIZE: 485X328X149mm

Q'TY: 30pcs(15x2x1)

