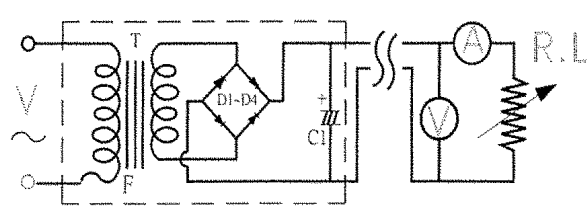
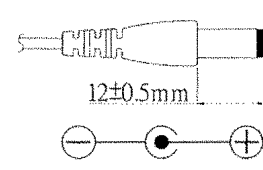
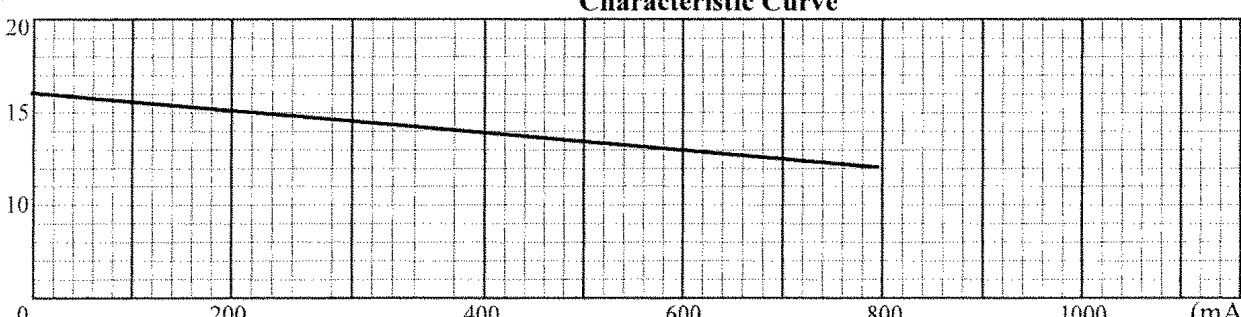
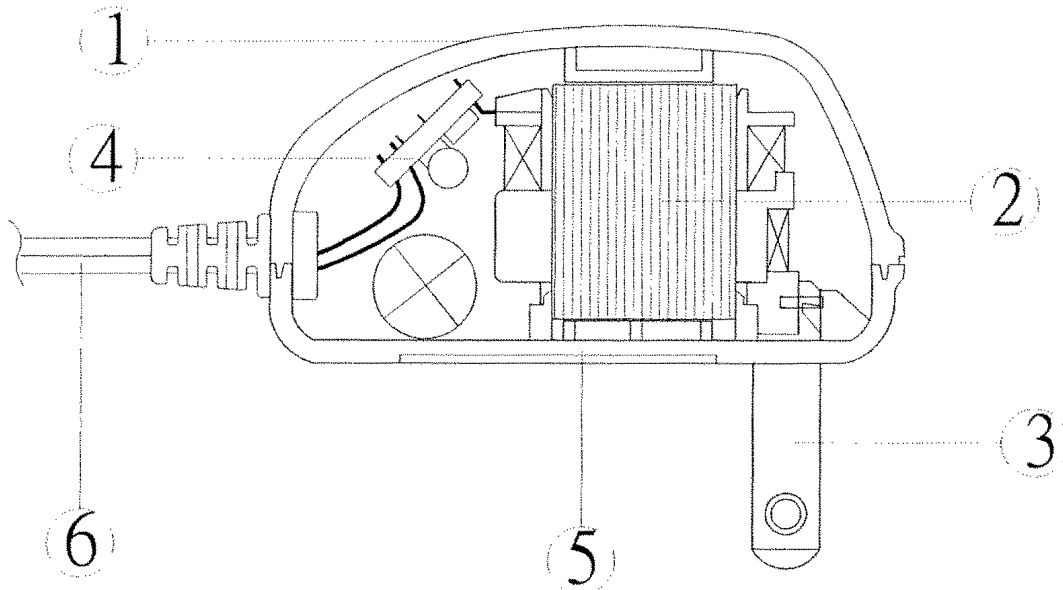


TEST DATA

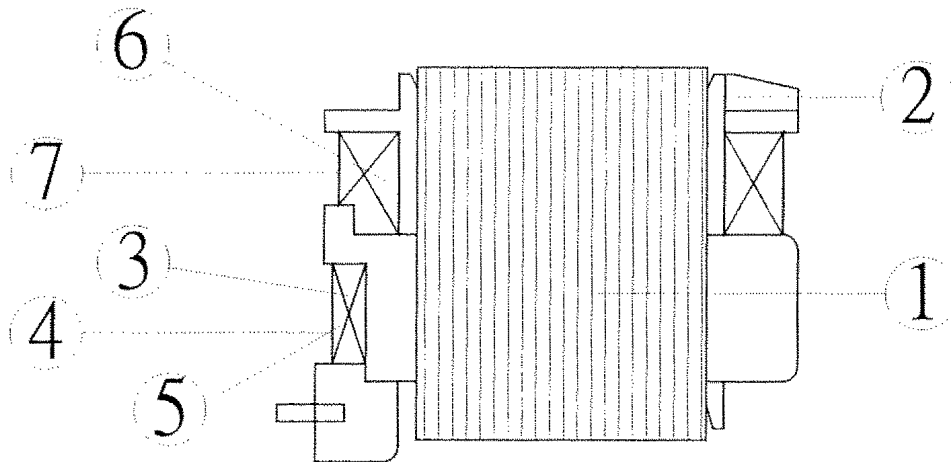
ITEM	SPEC	SAMPLE									
		1	2	3	4	5	6	7	8	9	10
Primary Exciting Current Input 120VAC , 60 Hz	95 mA max	67	57	61							
Primary Load Current Input 120VAC , 60 Hz	220 mA max	159	154	156							
Secondary No Load DC Voltage	16V ±5%	15.97	15.98	15.98							
Secondary DC Voltage Load 800 mA	12V ±5%	11.86	11.83	11.87							
Secondary Voltage Load mA	V ± %										
Secondary Voltage Load mA	V ± %										
Secondary Voltage Load mA	V ± %										
Secondary Voltage Load mA	V ± %										
Ripple Voltage Load 800 mA (PK-PK)	2.0V max	1.5	1.5	1.5							
Hi-Pot Test 3 mA for 3Sec.	Pri. to Sec.	2K VAC	OK	OK	OK						
	Pri. to Core	2K VAC	OK	OK	OK						
	Sec. to Core	1.5K VAC	OK	OK	OK						
Temperature Rise: 70°C MAX measured By Resistance Method (Primary Winding)											
Core Film: SPLIT						Core : EI-41					
Testing Circuit:		2200uF/25V				Output Plug Drawing: PLUG: 5.5X2.1mm					
											
Output conductor length: 6FT min (AWG#22)											
Input conductor length: min (AWG#)											
Characteristic Curve											
											

Internal Construction Drawing and Parts List (Unit: Set or EA)



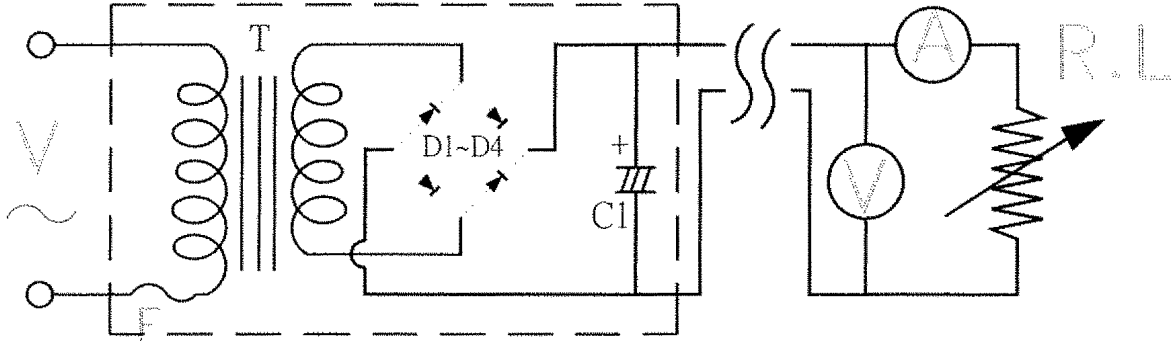
Part Name	Specification	Q'ty
1. Enclosure	Noryl PX1700 94V-1 95°C	
2. Transformer	EI-41	1
3. Blade	Ni plated brass	2
4. Print Wiring Board Assembly		
Print Wiring Board	04V0 94V-0 130°C	1
	11 94V-0 105°C	
	13 94V-0 130°C	
	BF-3 94V-0 130°C	
Diode	1A 400-700V 1N4004-1N4007	4
Capacitor	2200uF 25V 85°C	1
5. Name Plate	Polyester Film	1
6. Output Cord	AWG# 22 6FT min	1

Construction Drawing and Details of Transformer



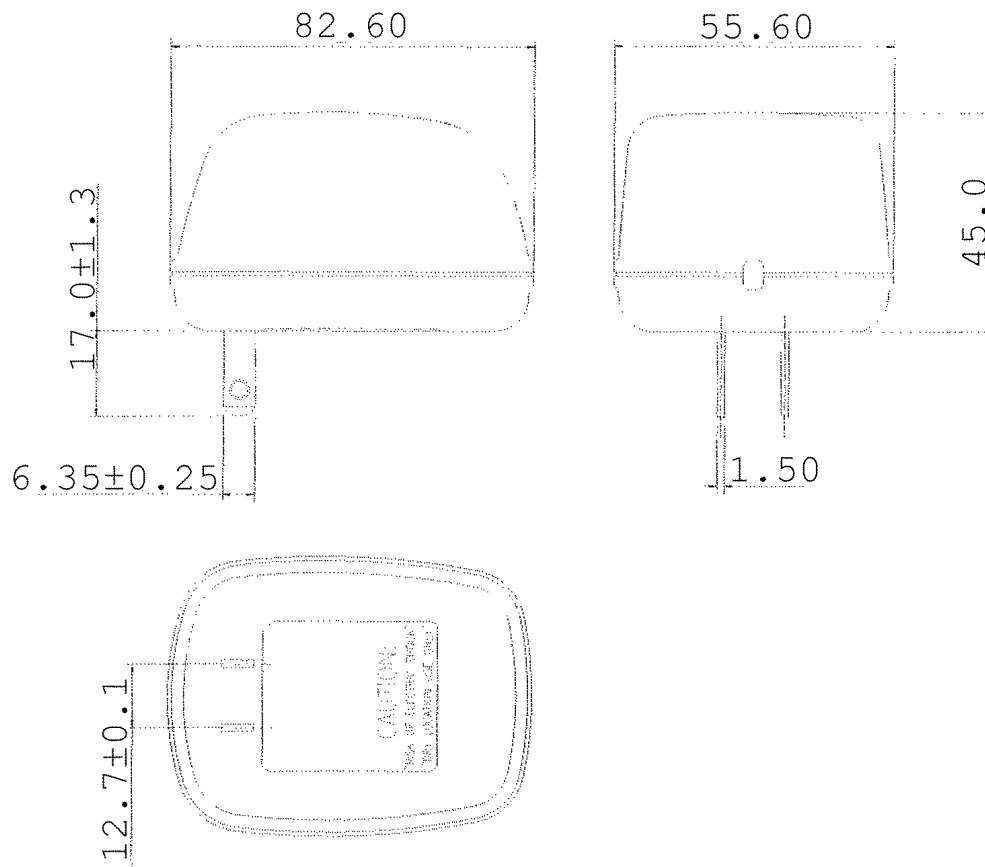
Part Name	Material & Type	Spec or Q'ty
1. Core	Silicon Steel	0.5mm
2. Bobbin	Polybutylene Terephthalate	0.71mm
	I403G6	
	PETP(QMFZ2)	
	FR-530, FR530L	
3. Primary Winding	Nylon 101L	
	Polyurethane Enameled	mm
	Copper wire	turn ohm
4. Primary Outer Winding	Mylar Tape	0.025mmx2T
5. Thermal Fuse	M30 2A 125°C 250V AC	1PC
6. Secondary Winding	Polyurethane Enameled	mm
	Copper Wire	turn ohm
7. Secondary Outer Winding	Mylar Tape	0.025mmx2T

Circuit Diagram

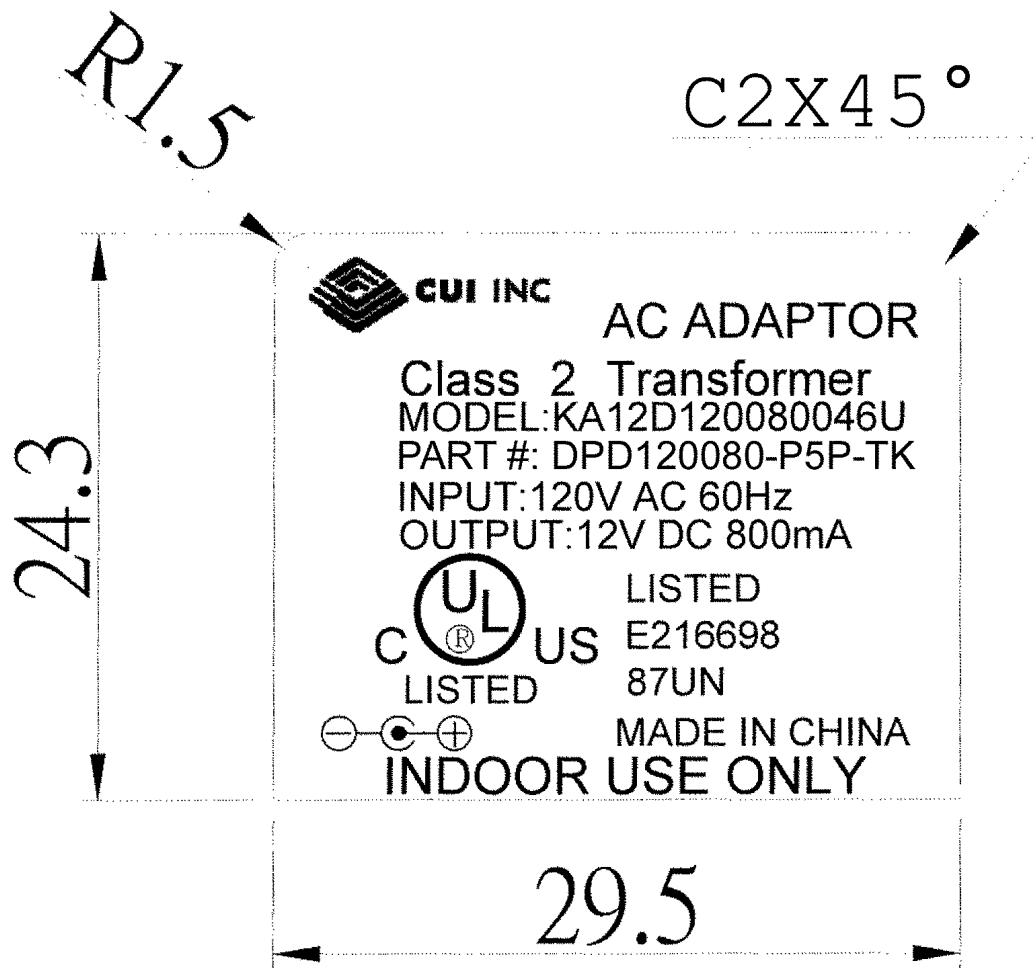


Symbol	Part Name	Note
T	Transformer	EI-41
D(1~4)	Diode	1A 400-700V 1N4004-1N4007
F	Thermal	125°C 2A 250V
C	Capacitor	2200uF 25V

Appearance Drawing (Unit:mm)



Dimension of Nameplate (Unit:mm)



Material: Polyester Film

T: 0.25mm