

ITEM	SPEC	SAMPLE									
		1	2	3	4	5	6	7	8	9	10
Primary Exciting Current Input 120VAC , 60 Hz	75 mA max	42	37	38							
Primary Load Current Input 120VAC , 60 Hz	120 mA max	100	96	97							
Secondary No Load DC Voltage	16.8V ±5%	16.67	16.68	16.69							
Secondary DC Voltage Load 500 mA	12V ±5%	12.1	12.09	12.12							
Secondary Voltage Load mA	V ± %										
Secondary Voltage Load mA	V ± %										
Secondary Voltage Load mA	V ± %										
Secondary Voltage Load mA	V ± %										
Ripple Voltage Load 500 mA (PK-PK)	3V max	2.1	2.1	2.1							
Hi-Pot Test 3 mA for 3Sec.	Pri. to Sec.	2K VAC	OK	OK	OK						
	Pri. to Core	2K VAC	OK	OK	OK						
	Sec. to Core	1.5K VAC	OK	OK	OK						

Temperature Rise: 70°C MAX measured By Resistance Method (Primry Winding)

Core Film: SPLIT

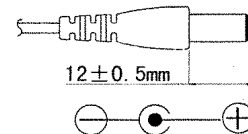
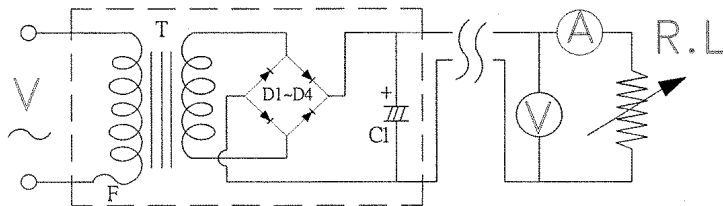
Core : EI-35

Testing Circuit:

1000uF/25V

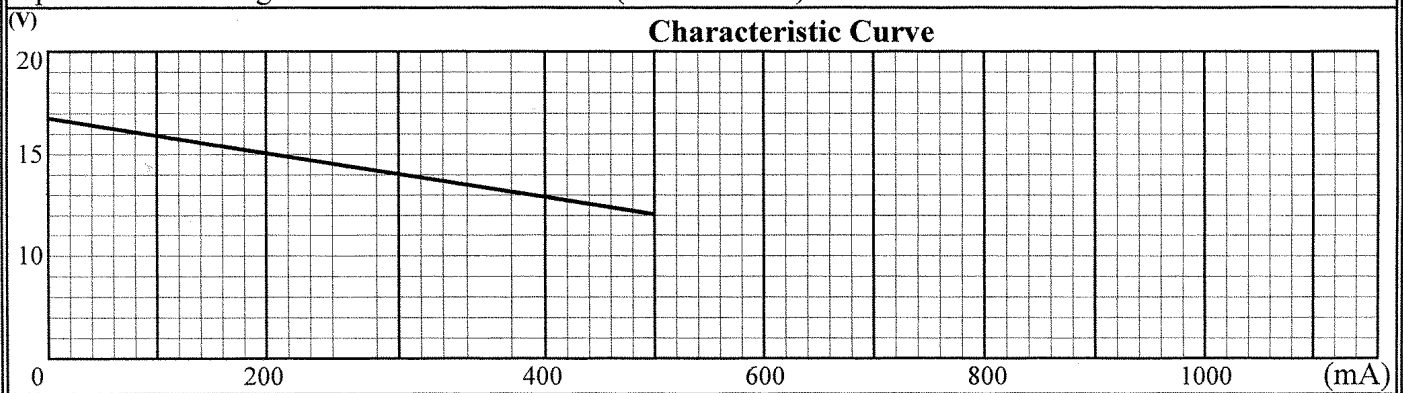
Output Plug Drawing:

PLUG:5.5*2.1mm



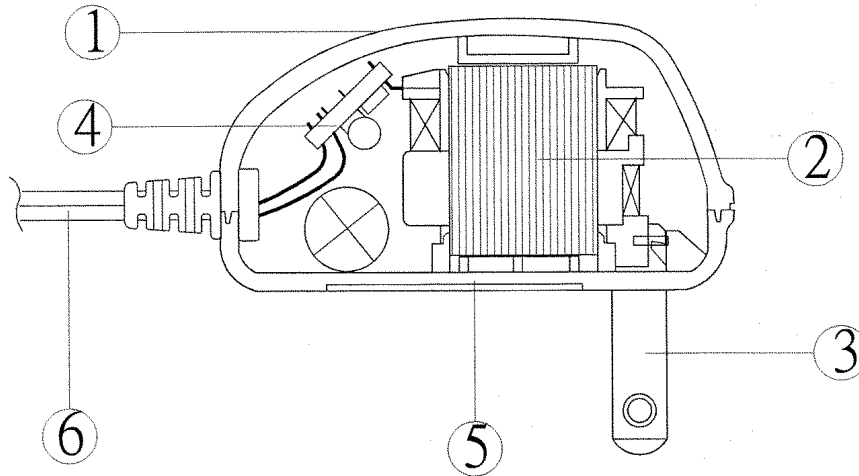
Output conductor length: 6FT min (AWG#22)

Input conductor length: ft min (AWG#)



AC Adaptor Specifications

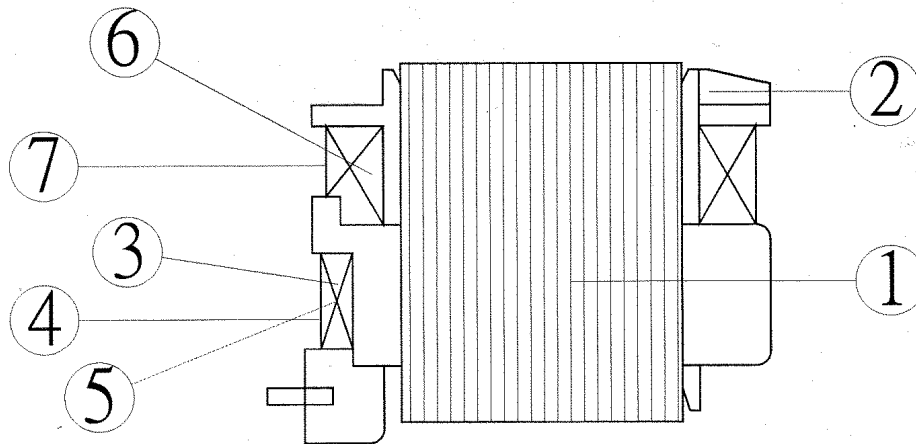
Internal Construction Drawing and Parts List (Unit: Set or EA)



Part Name	Specification
1. Enclosure	Noryl SE1 94V-1 105°C
	Noryl SE-100 94V-1 85°C
	Noryl PX1700 94V-1 95°C
	940(f1) 94V-0 130°C
	5172
2. Transformer	EI-35
3. Blade	Ni plated brass
4. Print Wiring Board Assembly	
Print Wiring Board	04V0 94V-0 130°C
	11 94V-0 105°C
	13 94V-0 130°C
	BF-3 94V-0 130°C
Diode	1A 400-700V IN4004-IN4007
Capacitor	1000uf 25V 85°C
5. Name Plate	Polyester Film
6. Output Cord	AWG# 22 6FT min

AC Adaptor Specifications

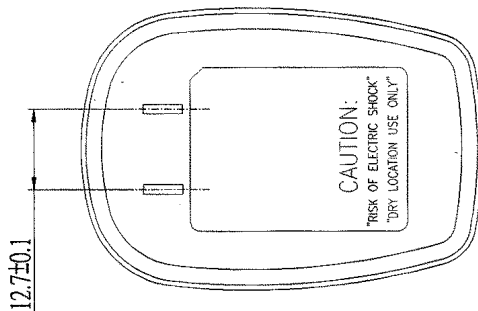
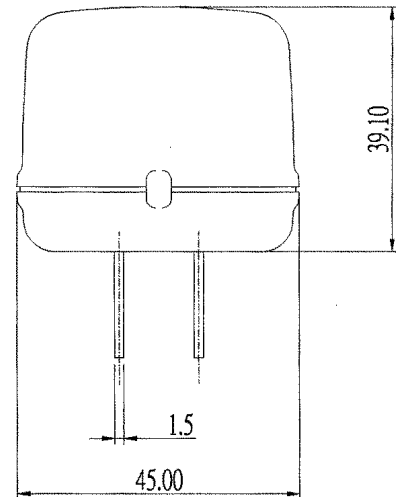
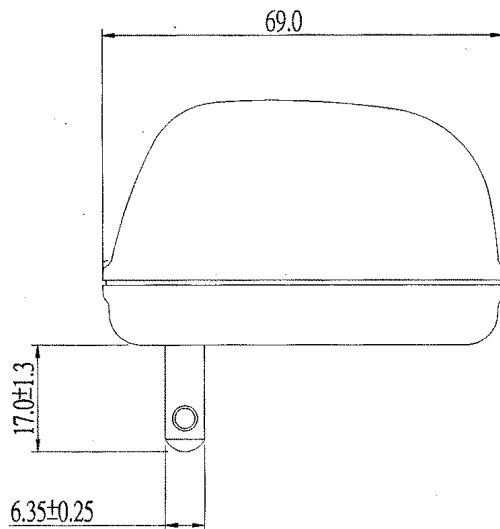
Construction Drawing and Details of Transformer



Part Name	Material & Type	Spec or Q'ty
1. Core	Silicon Steel	0.5mm
2. Bobbin	Polybutylene Terephthalate	0.71mm
	1403G6	
	PETP(QMFZ2)	
	FR-530, FR530L	
3. Primary Winding	Polyurethane Enameled	mm
	Copper wire	turn ohm
4. Primary Outer Winding	Mylar Tape	0.025mmx2T
5. Thermal Fuse	M30 2A 125°C 250V AC	1PC
6. Secondary Winding	Polyurethane Enameled	mm
	Copper Wire	turn
7. Secondary Outer Winding	Mylar Tape	0.025mmx2T

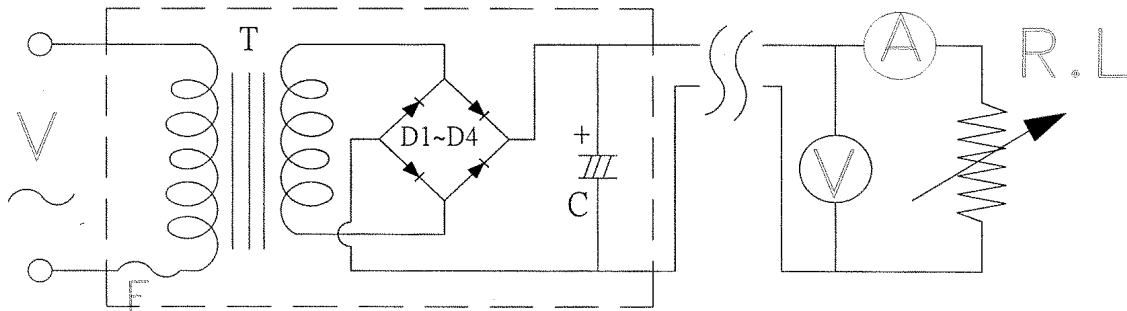
AC Adaptor Specifications

Appearance Drawing (Unit:mm)



AC Adaptor Specifications

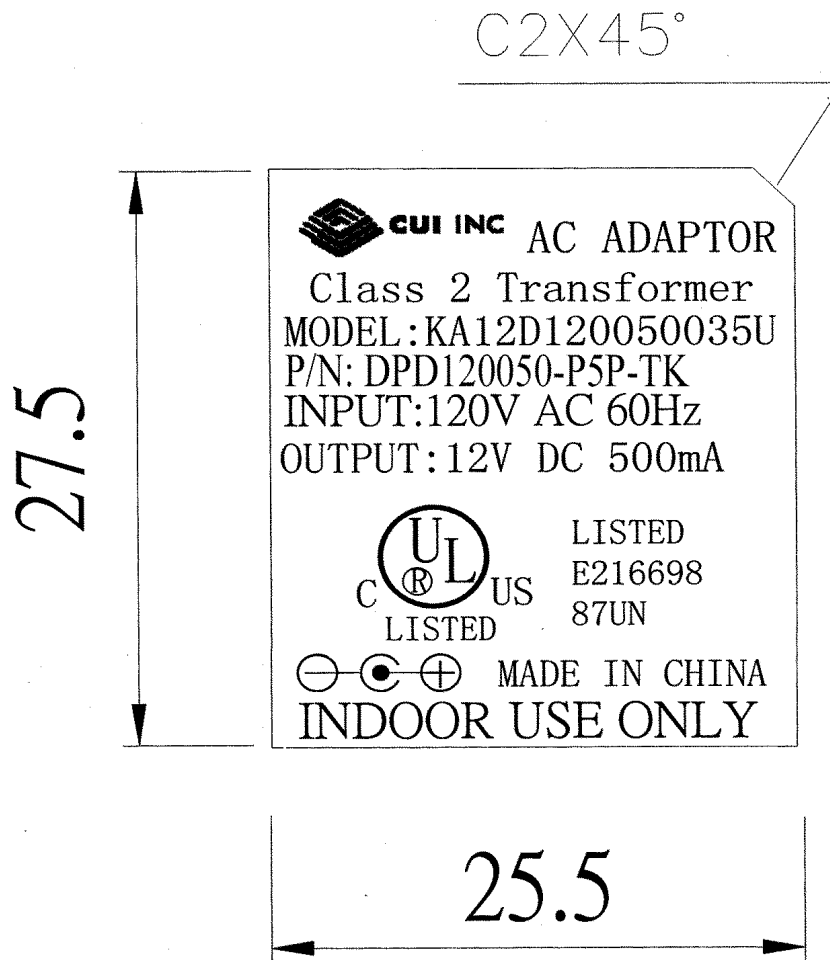
Circuit Diagram



Symbol	Part Name	Note
T	Transformer	EI-35
D(1~4)	Diode	1A 400-700V IN4004-IN4007
F	Thermal	125°C 2A 250V
C	Capacitor	1000uF 25V 85°C

AC Adaptor Specifications

Dimension of Nameplate (Unit:mm)



Material: Polyester Film

T: 0.25mm