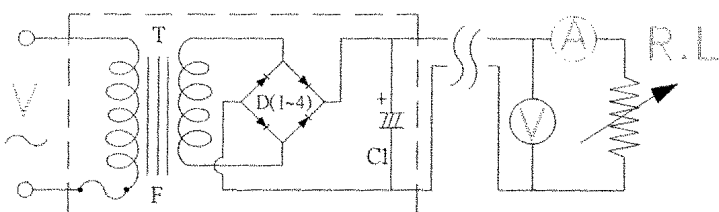
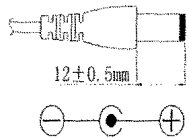
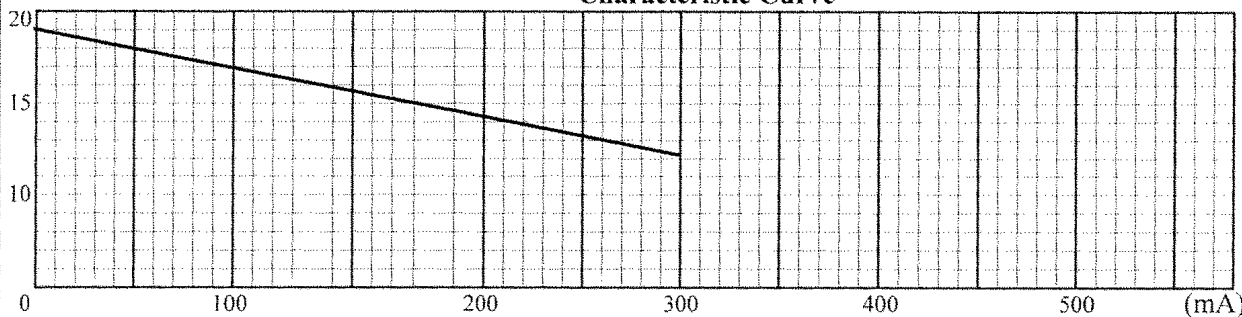
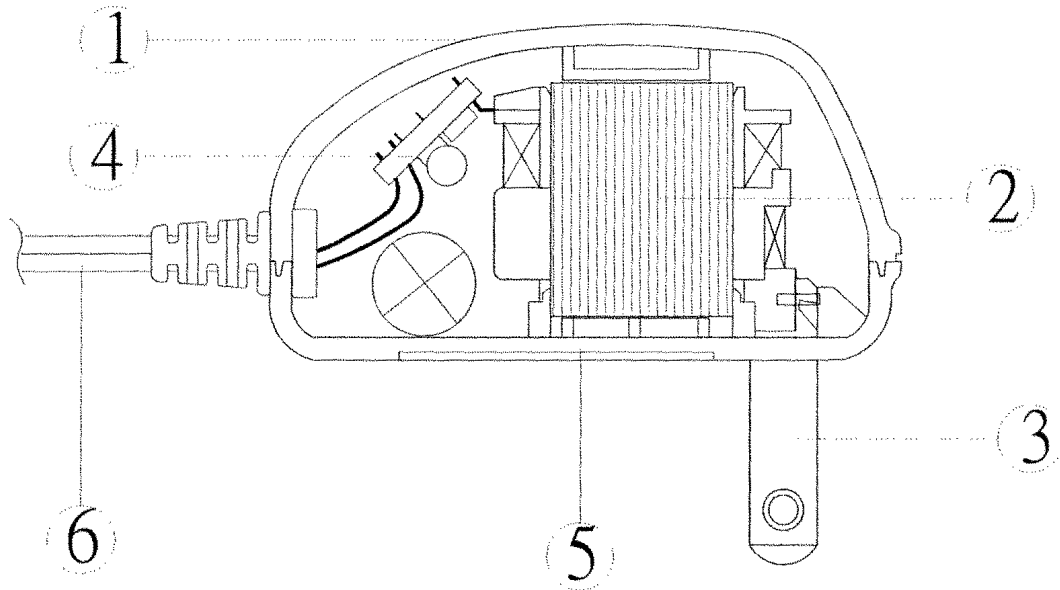


TEST DATA

| ITEM | SPEC | SAMPLE | | | | | | | | | |
|--|--------------|--------------------|-------|---|----|---|---|---|---|---|----|
| | | 1 | 2 | 3 | 4 | 5 | 6 | 7 | 8 | 9 | 10 |
| Primary Exciting Current Input 120VAC, 60 Hz | 50 mA max | 24 | 23 | 27 | | | | | | | |
| Primary Load Current Input 120VAC, 60 Hz | 75 mA max | 64 | 65 | 65 | | | | | | | |
| Secondary No Load DC Voltage | ±5% 19V | 18.94 | 18.98 | 19 | | | | | | | |
| Secondary DC Voltage Load 300 mA | ±5% 12V | 12.07 | 12.04 | 12.1 | | | | | | | |
| Secondary Voltage Load mA | ± % | | | | | | | | | | |
| Secondary Voltage Load mA | ± % | | | | | | | | | | |
| Secondary Voltage Load mA | ± % | | | | | | | | | | |
| Secondary Voltage Load mA | ± % | | | | | | | | | | |
| Ripple Voltage Load 300 mA (PK-PK) | 2V max | 1.2 | 2 | 2 | | | | | | | |
| Hi-Pot Test 3 mA for 3Sec. | Pri. to Sec. | 2K VAC | OK | OK | OK | | | | | | |
| | Pri. to Core | 2K VAC | OK | OK | OK | | | | | | |
| | Sec. to Core | 1.5K VAC | OK | OK | OK | | | | | | |
| Temperature Rise: 70°C MAX measured By Resistance Method (Primary Winding) | | | | | | | | | | | |
| Core Film: SPLIT | | | | | | Core : EI-35 | | | | | |
| Testing Circuit: | | 1000uF/25V | | | | Output Plug Drawing: PLUG: 5.5X2.1mm | | | | | |
|  | | | |  | | | | | | | |
| Output conductor length: | | 6 ft min (AWG#24) | | | | | | | | | |
| Input conductor length: | | ft min (AWG#) | | | | | | | | | |
| (V) Characteristic Curve | | | | | | | | | | | |
|  | | | | | | | | | | | |

AC Adaptor Specifications

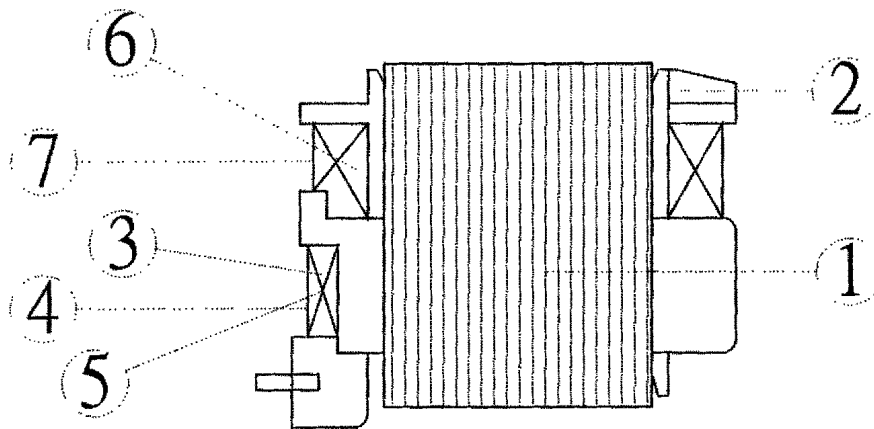
Internal Construction Drawing and Parts List (Unit: Set or EA)



| Part Name | Specification | Q'ty |
|---------------------------------------|---------------------------|------|
| 1. Enclosure | Noryl SE1 94V-0 105°C | |
| | Noryl SE-100 94V-0 95°C | |
| | Noryl PX1700 94V-0 95°C | |
| | 940(f1) 94V-0 130°C | |
| 2. Transformer | EI-35 | 1 |
| 3. Blade | Ni plated brass | 2 |
| 4. Print Wiring Board Assembly | | |
| Print Wiring Board | 04V0 94V-0 130°C | 1 |
| | 11 94V-0 105°C | |
| | 13 94V-0 130°C | |
| | BF-3 94V-0 130°C | |
| Diode | 1A 400-700V IN4004-IN4007 | 4 |
| Capacitor | 1000uf 25V 85°C | 1 |
| 5. Name Plate | Polyester Film | 1 |
| 6. Output Cord | AWG# 24 6FT min | 1 |

DC Adaptor Specifications

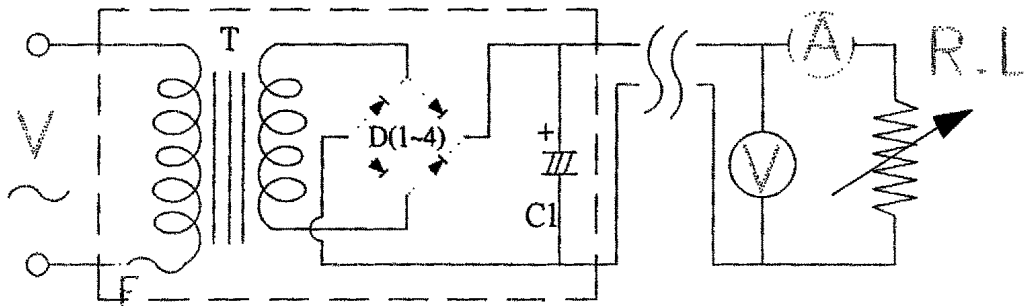
Construction Drawing and Details of Transformer



| Part Name | Material & Type | Spec or Q'ty |
|----------------------------|--------------------------------------|-------------------|
| 1. Core | Silicon Steel | 0.5mm |
| 2. Bobbin | Polybutylene Terephthalate | 0.71mm |
| | 1403G6 | |
| | PETP(QMFZ2) | |
| | FR-530, FR530L | |
| 3. Primary Winding | Nylon 101L | mm turn ohm |
| | Polyurethane Enameled Copper wire | |
| 4. Primary Outer Winding | Mylar Tape | 0.025mmx2T |
| 5. Thermal Fuse | A3 125°C 2A 250VAC | 1PCS |
| | K3 125°C 2A 250VAC | |
| | M30 125°C 2A 250VAC | |
| 6. Secondary Winding | Polyurethane Enameled Copper Wire | mm turn ohm |
| 7. Secondary Outer Winding | Mylar Tape | 0.025mmx2T |

DC Adaptor Specifications

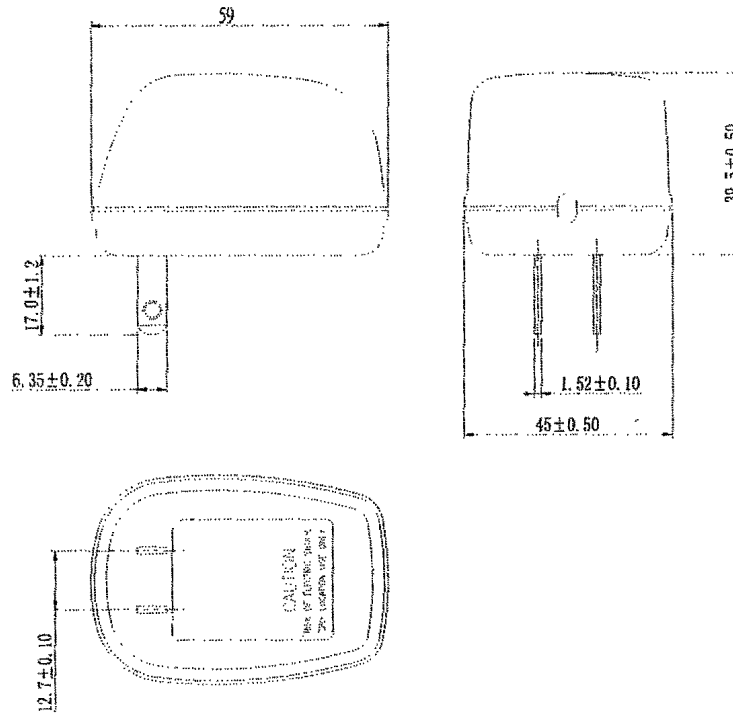
Circuit Diagram



| Symbol | Part Name | Note |
|--------|-------------|---------------------------|
| T | Transformer | EI-35 |
| D(1~4) | Diode | 1A 400-700V IN4004-IN4007 |
| F | Thermal | 125°C 2A 250V |
| C1 | Capacitor | 1000uF 25V 85°C |

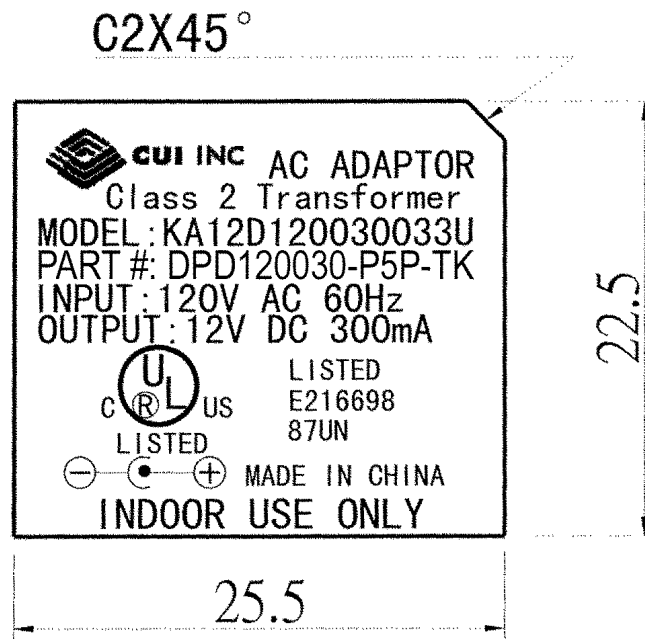
AC Adaptor Specifications

Appearance Drawing (Unit:mm)



DC Adaptor Specifications

Dimension of Nameplate (Unit:mm)



Material: Polyester Film

T: 0.25mm