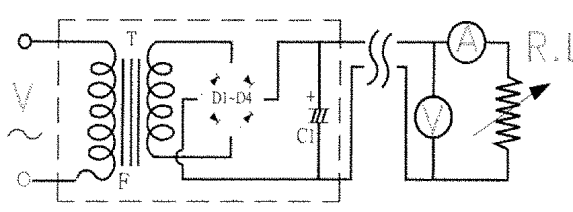
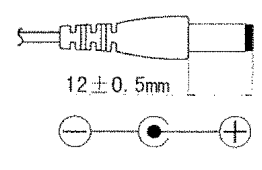
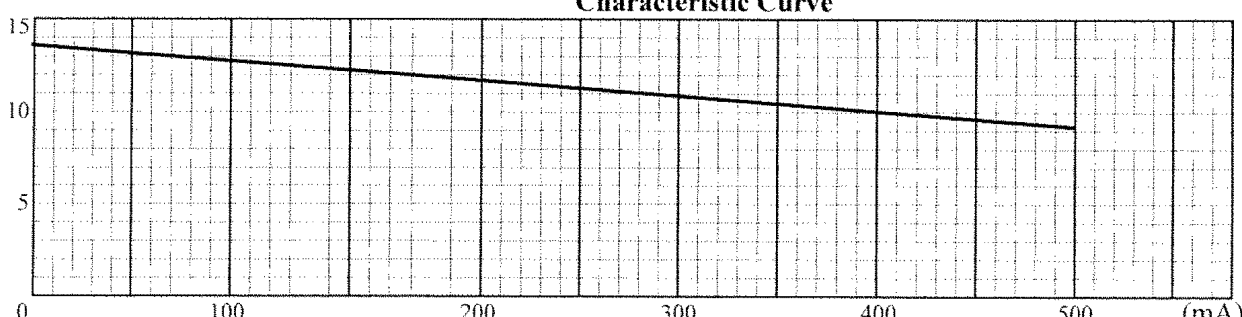
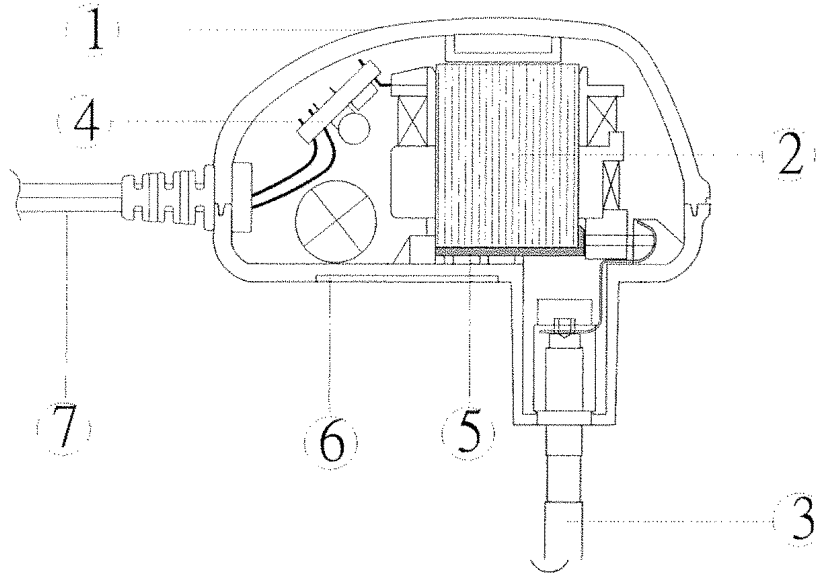


TEST DATA

ITEM	SPEC	SAMPLE									
		1	2	3	4	5	6	7	8	9	10
Primary Exciting Current Input 230VAC , 50 Hz	40 mA max	16	17	14							
Primary Load Current Input 230VAC , 50 Hz	60 mA max	40	40	39							
Secondary No Load DC Voltage	13.5V ±5%	13.42	13.4	13.34							
Secondary DC Voltage Load 500 mA	9V ±5%	9.06	9.1	9.02							
Secondary Voltage Load mA	V ± %										
Secondary Voltage Load mA	V ± %										
Secondary Voltage Load mA	V ± %										
Secondary Voltage Load mA	V ± %										
Ripple Voltage Load 500 mA (PK-PK)	3.0V max	2.1	2.1	2.1							
Hi-Pot Test 3 mA for 3Sec.	Pri. to Sec.	4K VAC	OK	OK	OK						
	Pri. to Core	4K VAC	OK	OK	OK						
	Sec. to Core	3K VAC	OK	OK	OK						
Temperature Rise: 70°C MAX measured By Resistance Method (Primary Winding)											
Core Film: SPLIT											
Testing Circuit:		1000uF/16V			Output Plug Drawing: PLUG: 5.5X2.1mm						
											
Output conductor length: 6FT min (AWG#22)											
Input conductor length: ft min (AWG#)											
(V) Characteristic Curve											
											

AC Adaptor Specifications

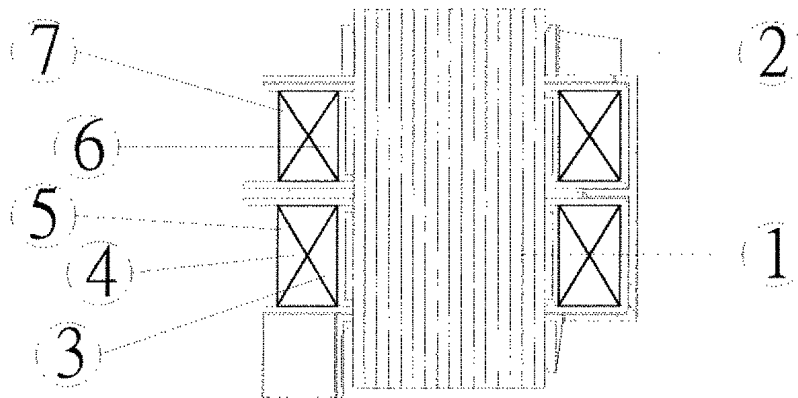
Internal Construction Drawing and Parts List (Unit: Set or EA)



Part Name	Specification	Q'ty
1. Enclosure	Noryl PX1700 94V-1 95°C	
2. Transformer	EI-35	1
3. Blade	Ni plated brass	2
4. Print Wiring Board Assembly		
Print Wiring Board	04V0 94V-0 130°C	1
	11 94V-0 105°C	
	13 94V-0 130°C	
	BF-3 94V-0 130°C	
Diode	1A 400-700V IN4004-1N4007	4
Capacitor	1000uf 16V 85°C	1
5. Insulation Layered	Noryl PX1700 94V-1 95°C	1
6. Name Plate	Polyester Film	1
7. Output Cord	AWG# 22 6FT min	1

AC Adaptor Specifications

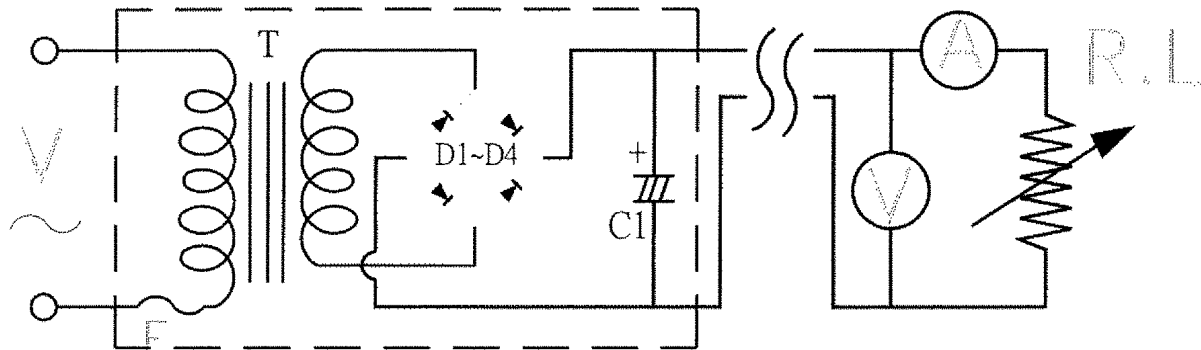
Construction Drawing and Details of Transformer



Part Name	Material & Type	Spec or Q'ty
1. Core	Silicon Steel	0.5mm
2. Bobbin	Polybutylene Terephthalate	0.71mm
	1403G6	
	PETP(QMFZ2)	
	FR-530, FR530L	
	Nylon 101L	
3. Primary Winding	Polyurethane Enameled Copper wire	mm turn ohm
4. Primary Outer Winding	Mylar Tape	0.025mmx2T
5. Thermal Fuse	T2 2A 125°C 250V AC	1PC
	K3 2A 125°C 250V AC	
	A3 2A 125°C 250V AC	
6. Secondary Winding	Polyurethane Enameled Copper Wire	mm turn ohm
7. Secondary Outer Winding	Mylar Tape	0.025mmx2T

AC Adaptor Specifications

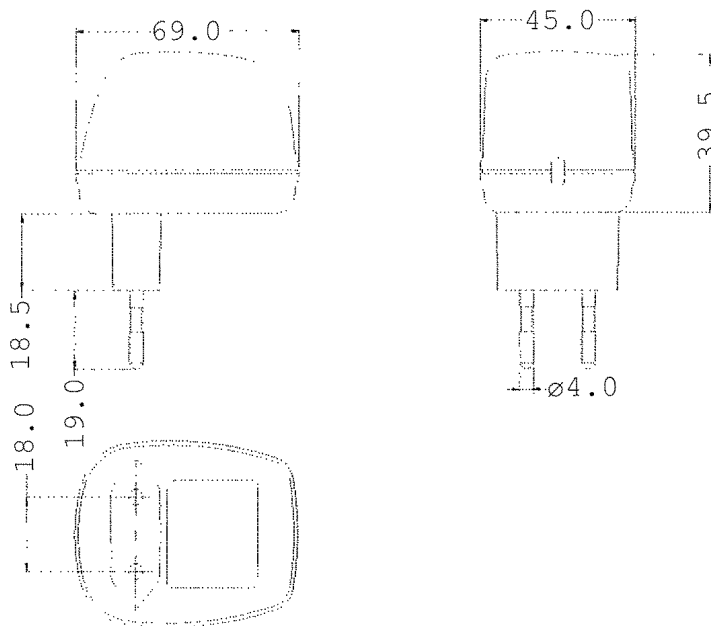
Circuit Diagram



Symbol	Part Name	Note
T	Transformer	EI-35
D(1~4)	Diode	1A 400-700V IN4004-1N4007
C1	Capacitor	1000uF 16V 85°C
F	Thermal	125°C 250V 2A

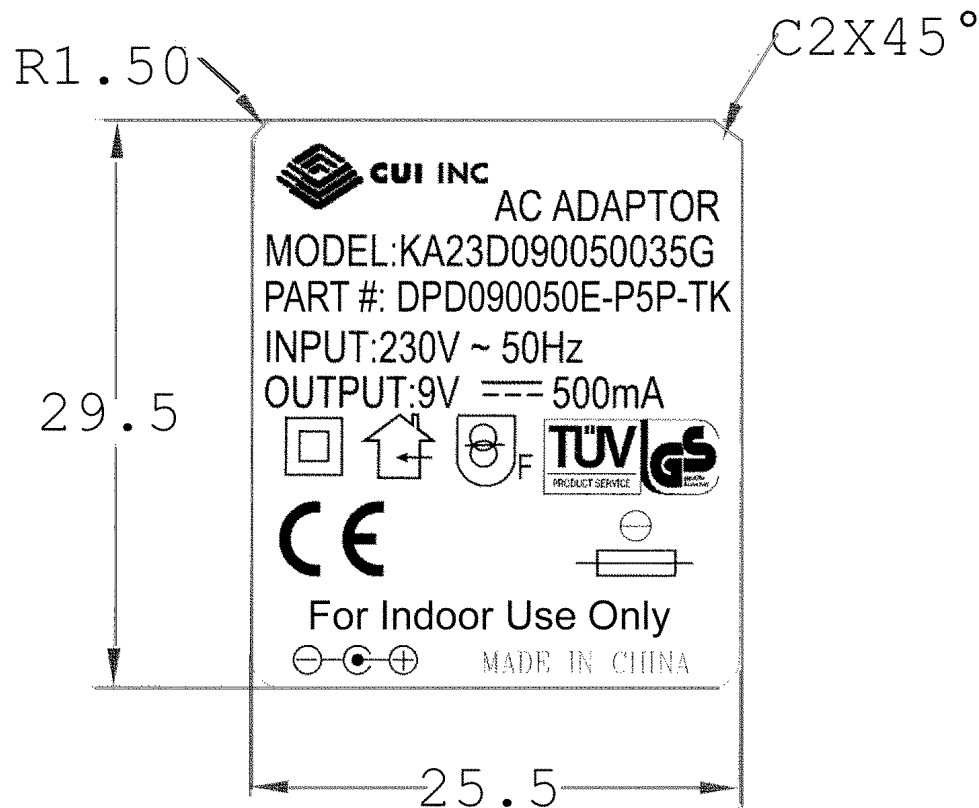
AC Adaptor Specifications

Appearance Drawing (Unit:mm)



AC Adaptor Specifications

Dimension of Nameplate (Unit:mm)



Material: Polyester Film

T: 0.25mm