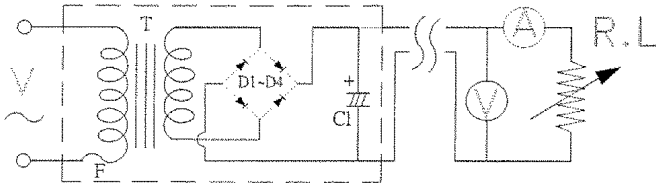
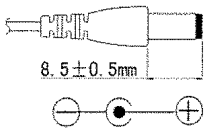
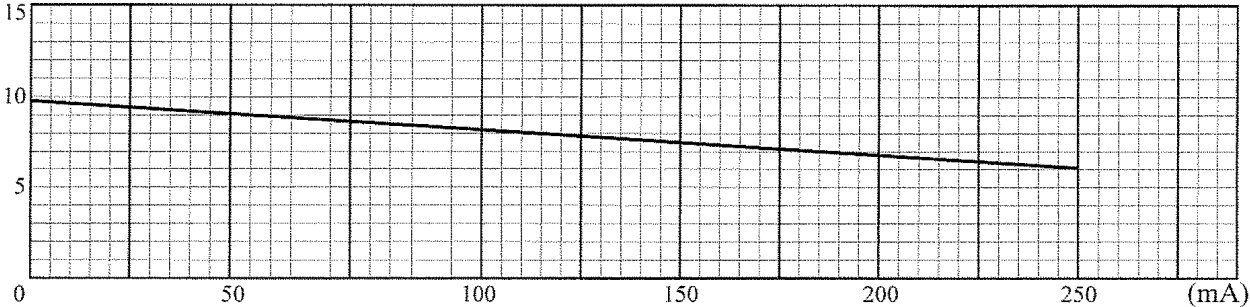
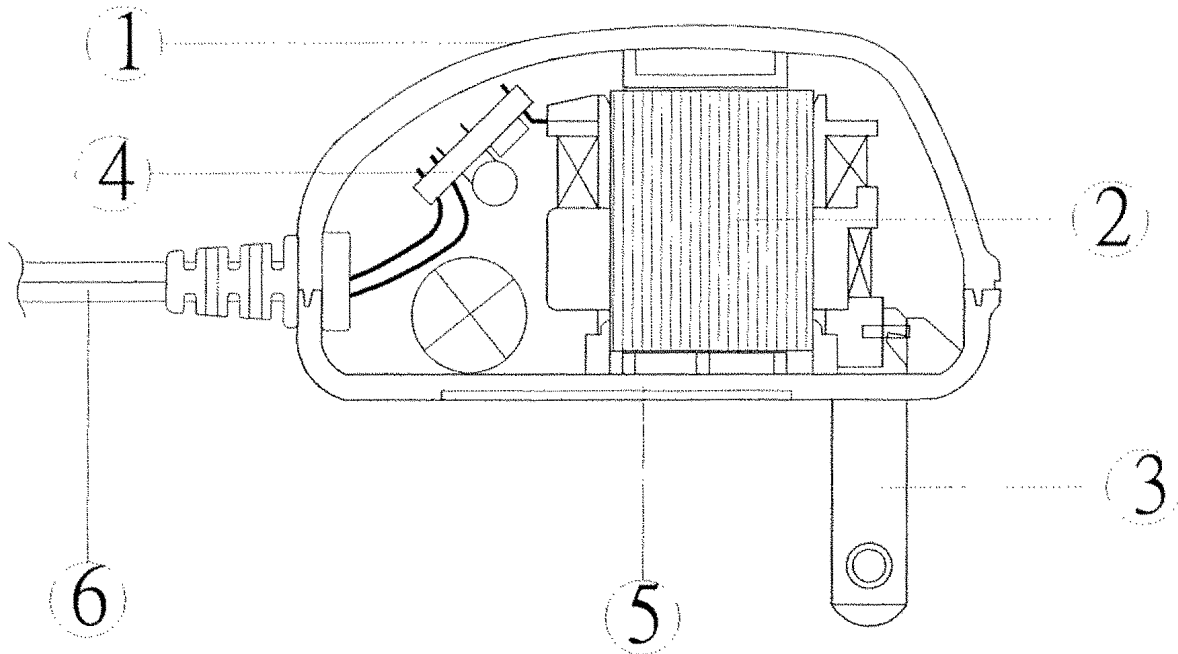


**TEST DATA**

| ITEM  | SPEC         | SAMPLE   |      |      |    |              |   |   |   |   |    |
|---|--------------|----------|------|------|----|--------------|---|---|---|---|----|
|   |              | 1        | 2    | 3    | 4  | 5            | 6 | 7 | 8 | 9 | 10 |
| Primary Exciting Current<br>Input 120VAC, 60 Hz   | 40 mA<br>max | 34       | 28   | 30   |    |              |   |   |   |   |    |
| Primary Load Current<br>Input 120VAC, 60 Hz   | 55 mA<br>max | 39       | 36   | 38   |    |              |   |   |   |   |    |
| Secondary No Load<br>DC Voltage   | 9.8V<br>±5%  | 9.54     | 9.5  | 9.47 |    |              |   |   |   |   |    |
| Secondary DC Voltage<br>Load 250 mA   | 6V<br>±0.5V  | 5.9      | 5.84 | 5.84 |    |              |   |   |   |   |    |
| Secondary Voltage<br>Load mA  | V<br>± %     |          |      |      |    |              |   |   |   |   |    |
| Secondary Voltage<br>Load mA  | V<br>± %     |          |      |      |    |              |   |   |   |   |    |
| Secondary Voltage<br>Load mA  | V<br>± %     |          |      |      |    |              |   |   |   |   |    |
| Secondary Voltage<br>Load mA  | V<br>± %     |          |      |      |    |              |   |   |   |   |    |
| Ripple Voltage<br>Load 250 mA (PK-PK)   | 1.5V<br>max  | 1        | 1    | 1    |    |              |   |   |   |   |    |
| Hi-Pot Test<br>3 mA for<br>3Sec.  | Pri. to Sec. | 2K VAC   | OK   | OK   | OK |              |   |   |   |   |    |
|   | Pri. to Core | 2K VAC   | OK   | OK   | OK |              |   |   |   |   |    |
|   | Sec. to Core | 1.5K VAC | OK   | OK   | OK |              |   |   |   |   |    |
| Temperature Rise: 70°C MAX measured By Resistance Method (Primary Winding)  |              |          |      |      |    |              |   |   |   |   |    |
| Core Film: SPLIT  |              |          |      |      |    | Core : EI-28 |   |   |   |   |    |
| Testing Circuit: <span style="margin-left: 100px;">1000uF/16V</span> <span style="float: right;">Output Plug Drawing:<br/>PLUG:3.5*1.35mm</span>                          |              |          |      |      |    |              |   |   |   |   |    |
|   |              |          |      |      |    |              |   |   |   |   |    |
| Output conductor length: 6FT min (AWG#24)   |              |          |      |      |    |              |   |   |   |   |    |
| Input conductor length: ft min (AWG#)   |              |          |      |      |    |              |   |   |   |   |    |
| (V) <b>Characteristic Curve</b>   |              |          |      |      |    |              |   |   |   |   |    |
|   |              |          |      |      |    |              |   |   |   |   |    |

## DC Adaptor Specifications

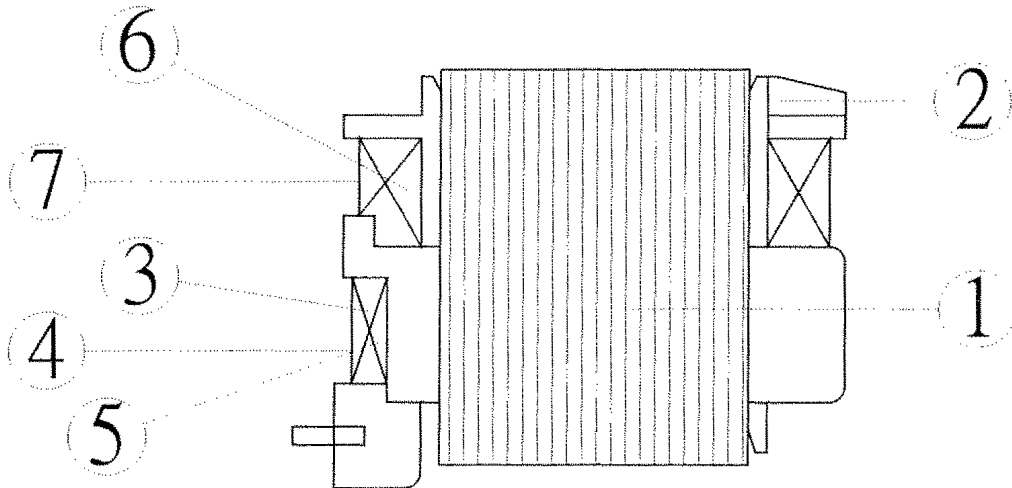
### Internal Construction Drawing and Parts List (Unit: Set or EA)



| Part Name                             | Specification             | Q'ty |
|---------------------------------------|---------------------------|------|
| 1. Enclosure                          | Noryl SE1 94V-0 105°C     |      |
|                                       | Noryl SE-100 94V-0 95°C   |      |
|                                       | Noryl PX1700 94V-0 95°C   |      |
|                                       | 940(f1) 94V-0 130°C       |      |
| 2. Transformer                        | EI-28                     | 1    |
| 3. Blade                              | Ni plated brass           | 2    |
| <b>4. Print Wiring Board Assembly</b> |                           |      |
| Print Wiring Board                    | 04V0 94V-0 130°C          | 1    |
|                                       | 11 94V-0 105°C            |      |
|                                       | 13 94V-0 130°C            |      |
|                                       | BF-3 94V-0 130°C          |      |
| Diode                                 | 1A 400-700V IN4004-IN4007 | 4    |
| Capacitor                             | 1000uf 16V 85°C           | 1    |
| 5. Name Plate                         | Polyester Film            | 1    |
| 6. Output Cord                        | AWG# 24 6FT min           | 1    |

## DC Adaptor Specifications

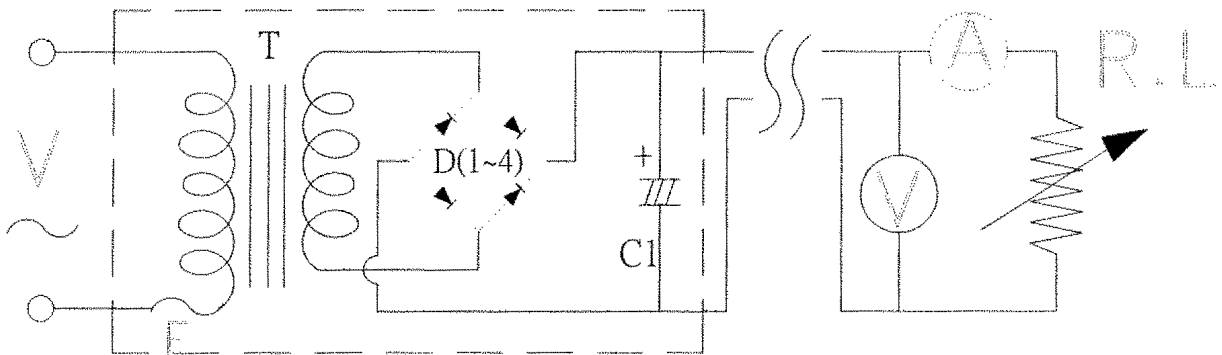
### Construction Drawing and Details of Transformer



| Part Name                  | Material & Type                      | Spec or Q'ty      |
|----------------------------|--------------------------------------|-------------------|
| 1. Core                    | Silicon Steel                        | 0.5mm             |
|                            | Polybutylene Terephthalate           |                   |
| 2. Bobbin                  | 1403G6                               | 0.71mm            |
|                            | PETP(QMFZ2)                          |                   |
|                            | FR-530, FR530L<br>Nylon 101L         |                   |
| 3. Primary Winding         | Polyurethane Enameled<br>Copper wire | mm<br>turn<br>ohm |
| 4. Primary Outer Winding   | Mylar Tape                           | 0.025mmx2T        |
| 5. Thermal Fuse            | A3 125°C 2A 250VAC                   | 1PCS              |
|                            | K3 125°C 2A 250VAC                   |                   |
|                            | M30 125°C 2A 250VAC                  |                   |
| 6. Secondary Winding       | Polyurethane Enameled<br>Copper Wire | mm<br>turn<br>ohm |
| 7. Secondary Outer Winding | Mylar Tape                           | 0.025mmx2T        |

## DC Adaptor Specifications

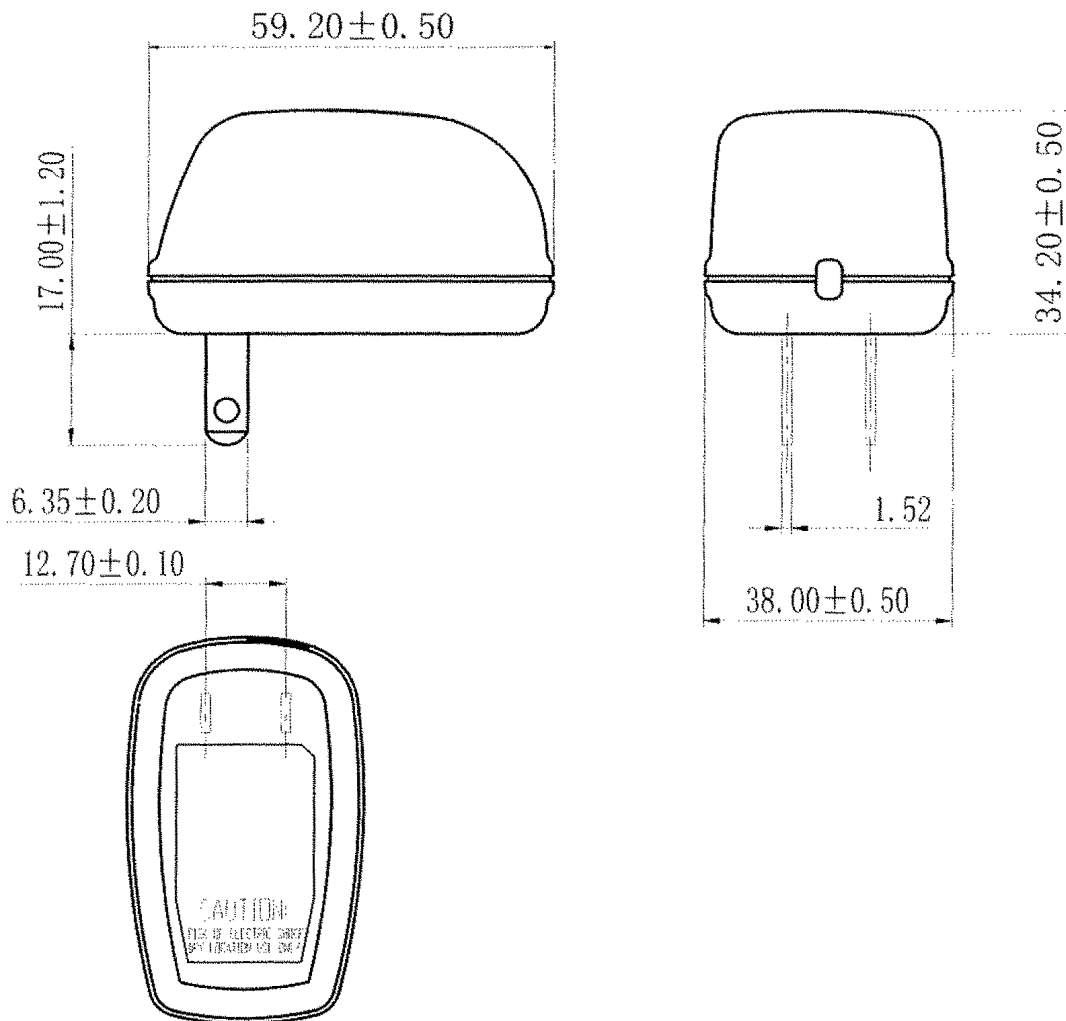
### Circuit Diagram



| Symbol | Part Name   | Note                      |
|--------|-------------|---------------------------|
| T      | Transformer | EI-28                     |
| D(1~4) | Diode       | 1A 400-700V IN4004-IN4007 |
| C1     | Capacitor   | 1000uF 16V 85°C           |
| F1     | Thermal     | 125°C 2A 250V             |

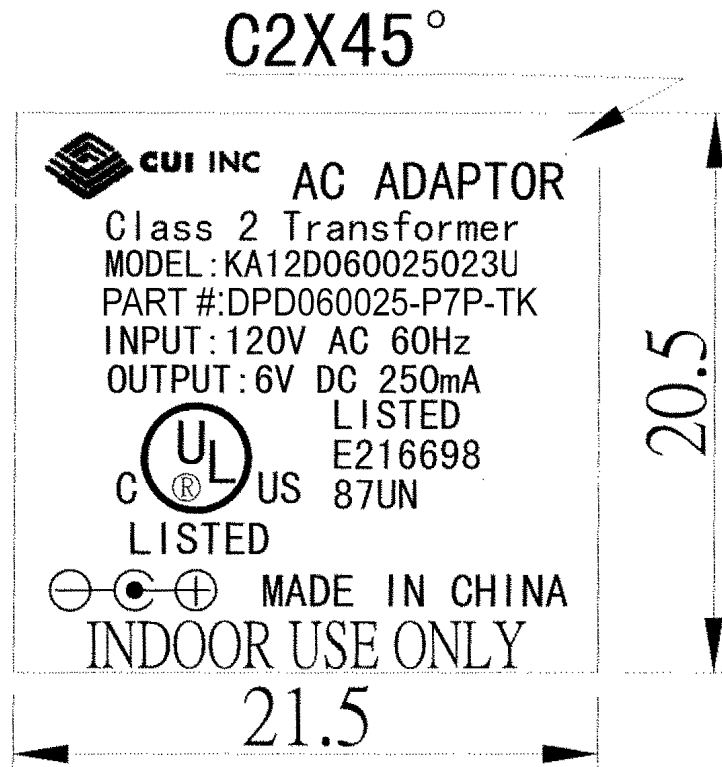
## AC Adaptor Specifications

### Appearance Drawing (Unit:mm)



## DC Adaptor Specifications

### Dimension of Nameplate (Unit:mm)



Material: Polyester Film

T: 0.25mm