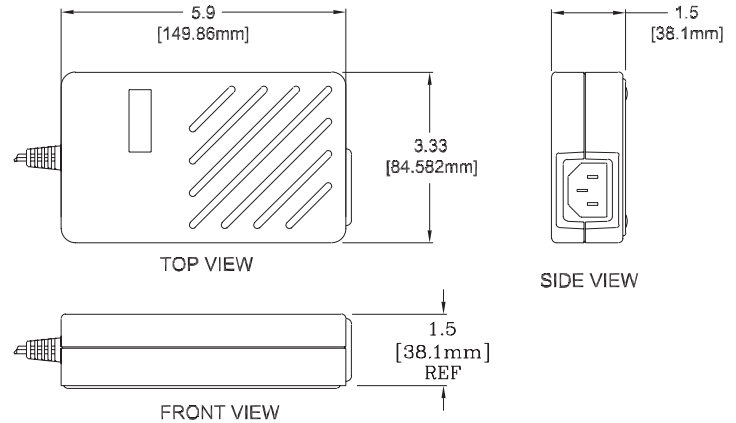


MWP90 series

90 Watt Medical Grade AC Adapter



Features

- Power factor correction
- Wide range AC input
- Fully regulated output
- High efficiency
- Medical grade approval
- Also available in white
- 5 year warranty

Environmental

- Operating temperature..... 0° C to 40° C
- Storage temperature..... -55° C to 85° C
- Weight = 1.40 lbs

EMI/EMC

- Meets FCC class B, CISPR 11 class B
- EMC per EN60601-1-2
- EN61000-3-2 and EN61000-3-3

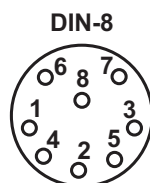
Safety

- UR/cUR UL2601-1
- CE Marked EN60601-1-2:2001

Polarity	1	2	3	4	5	6	7	8
DIN-8	V1	V1	Com	V1	Com	V1	Com	Com

Input and Output Connections

- Input connector (P1) = IEC 60320 inlet plug
- Output connector (P2) = DIN-8 pin circular connector
- Output cable length = 6 ft



Electrical Specifications

Input

- Voltage..... 90 - 264 VAC
- Current..... 2.0 Amp @ 90 VAC
- Frequency..... 47 - 63 Hz
- Earth leakage current.....

Test Voltage	Normal	Single-fault
132 VAC 60 Hz	100 uA	190 uA
264 VAC 50 Hz	190 uA	330 uA

Output

- Line regulation..... TYP +/- 1%
- Load regulation..... TYP +/- 5%
- Set point..... +/- 3% at 60% load
- Hold up time..... 20 ms min at full load, 115 VAC
- Transient response..... 500 ms for 50% to 100% load change
- Over voltage protection..... Built-in
- Over current protection..... Built-in
- Short circuit protection..... Pulsing mode, auto recovery
- Efficiency..... 90% typical
- Ripple/noise (V_{p-p})..... +/- 1% pk-pk (20 MHz bandwidth)

Model No.	Voltage	Power	Current
MWP9012-D8-NC-BK	12V	90W	7.5A
MWP9015-D8-NC-BK	15V	90W	6.0A
MWP9018-D8-NC-BK	18V	90W	5.0A
MWP9024-D8-NC-BK	24V	90W	3.75A