



Elpac Power Systems™

HIGHER EFFICIENCY, HIGHER POWER DENSITY, UNCOMPROMISED RELIABILITY

TECHNICAL SUPPORT

WORLDWIDE
1-888-357-2280
saleselpac@iccus.com
www.iccus.com

EUROPE
+44.1383.432920
saleseurope@iccus.com



5-YEAR LIMITED WARRANTY*

- High Efficiency: Level V
- High Power Density 4.2W/in³
- Lifetime Expectation >5 years
- Hold-Up Time >48ms at full load
- Power Factor Correction
- EISA Compliant
- CEC Compliant

Input	
Input Voltage	85 – 264VAC 100 – 240VAC Nominal
Input Frequency	47 – 63Hz
Input Current	<1.5A rms
Inrush Current	<37A at 230VAC cold start
Power Factor	>0.97
Zero Load Power Consumption	<0.5W
Touch Current/ Leakage Current	<150µA @ 132VAC @ 60Hz
	<250µA @ 264VAC @ 60Hz

Output	
Output Voltage	See Table
Total Regulation	+/-5%
Minimum Load	No minimum load required
Start-Up Delay	<1s
Hold-Up Time	>48ms at any input voltage
Ripple & Noise	<1% pk-pk **
Over Voltage Protection	110 – 135%
Over Temperature Protection	Active - Recoverable; plus Passive - Non Recoverable
Over Current Protection	120 – 180%
Short Circuit Protection	Shutdown, auto-restart (hiccup mode)

Notes

*visit www.iccus.com for complete details

**Ripple and noise measured with 20MHz bandwidth; 10µF tantalum capacitor in parallel with a 0.1µF ceramic capacitor.





Model Number ¹	Output Voltage	Output Current	Peak Current ²	Total Regulation ³	Typical Efficiency ⁴
FWB100012A-12B	12.0V	8.3A	10.0A	±5%	86%
FWB100015A-11B	15.0V	6.6A	8.0A	±5%	87%
FWB100018A-11B	18.0V	5.5A	6.7A	±5%	87%
FWB100024A-11B	24.0V	4.1A	5.0A	±5%	89%

Notes

- 1) All models ship standard with US version input cable.
- 2) Maximum peak load (120W) lasting 500ms with a maximum 10% duty cycle.
- 3) Includes initial setting, line regulation, load regulation, and thermal drift.
- 4) Typical at 115VAC (including output cable).

General	
Efficiency	Avg Efficiency 87.4% @ 115VAC; 87.9% @ 230VAC
MTBF	min. 200,000 hours demonstrated
Size	7.09" (180.2mm) x 2.27" (57.5mm) x 1.52" (38.6mm)
Weight	1.52 lbs (0.69 kg)
Power Density	4.2W/in ³

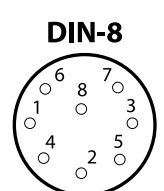
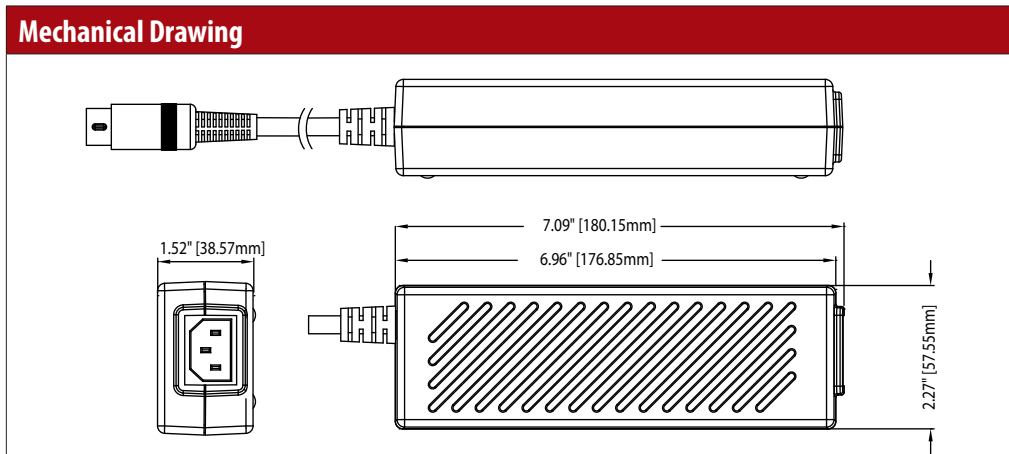
Environmental	
Operating Temperature	0 – 60°C (Full load to 40°C, derate linearly to 50% load at 60°C)
Storage Temperature	-40°C to +85°C
Relative Humidity	5-95%, non-condensing
Cooling	Natural Convection
Vibration	All units production tested to 19.6m/s ²

EMC & Safety	
Emissions	FCC class B, CISPR22 class B EN61000-3-2, -3
Immunity	EN61000-4-2, -3, -4, -5, -6, -8, -11
Certified by:	cTUVus, cULus
	UL 60950-1
	CAN/CSA-22.2 No.60950-1
	CB per IEC60950-1
	CE marked to LVD & EMC

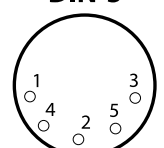
Input Configuration	
Standard Input Cable	6 ft cable with US standard (Nema 5-15) 3 prong connector
Connection on Power Supply Body	IEC 320 C14 Receptacle

Output Configuration	
Standard Output Cable	4 ft for 12V 6 ft for 15V, 18V & 24V
Connector (PSU side)	Switchcraft DIN-8, P/N 15BL8M for 12V Switchcraft DIN-5, P/N 05GM5M for 15V, 18V & 24V
Mating Connector	Switchcraft 62GB5F (5 pin) or 62GB8F (8 pin) or equivalent

Output Pin Assignments	
Pin 1	+V1
Pin 2	+V1
Pin 3	Return
Pin 4	+V1
Pin 5	Return
Pin 6	+V1
Pin 7	Return
Pin 8	Return

Output Pin Assignments	
Pin 1	Return
Pin 2	Return
Pin 3	+V1
Pin 4	Return
Pin 5	+V1



Ordering Options Available	
Floating Output	Overmolding
Ferrite Cores	Output Cord Lengths
Custom Imprinting	Special Labeling
Special Packaging	