



**International
Components
Corporation**

TM

MW40 Series

40 Watts

Medical Switch Mode Power Supply

Elpac Power Systems™

HIGHER EFFICIENCY, HIGHER POWER DENSITY, UNCOMPROMISED RELIABILITY



5-YEAR LIMITED WARRANTY*

- High Efficiency: Level V
- Fully Regulated DC Output
- Lifetime Expectation >5 years
- Hold-up Time >16ms at full load
- Medical Approval - EN60601-1 Class I

TECHNICAL SUPPORT

WORLDWIDE
1-888-357-2280
saleselpac@iccus.com
www.iccus.com

EUROPE
+44.1383.432920
saleseurope@iccus.com

| Input | |
|---|-------------------------------------|
| Input Voltage | 85 – 264VAC 100 – 240VAC Nominal |
| Input Frequency | 47 – 63Hz |
| Input Current | <1A rms |
| Inrush Current | <37A at 230VAC cold start |
| Zero Load Power Consumption | 0.3W |
| Touch Current/ Leakage Current (typical) | <50µA @ 132VAC @ 60Hz |
| | <75µA @ 264VAC @ 60Hz |

| Output | |
|-----------------------------|---|
| Output Voltage | See Table |
| Total Regulation | +/-5% |
| Minimum Load | No minimum load required |
| Start-up Delay | <.25s |
| Hold-Up Time | >16ms |
| Ripple & Noise | <1% pk-pk ** |
| Over Voltage Protection | 110-135% |
| Over Temperature Protection | Active - Recoverable; plus Passive - Non Recoverable |
| Over Current Protection | 120 - 180% |
| Short Circuit Protection | shutdown, auto-restart (hiccup mode) |

Notes

*visit www.iccus.com for complete details

**Ripple and noise measured with 20MHz bandwidth; 10µF tantalum capacitor in parallel with a 0.1µF ceramic capacitor.





| Model Number | Output Voltage | Output Current | Peak Current ¹ | Total Regulation ² | Minimum Efficiency ³ |
|-------------------|----------------|----------------|---------------------------|-------------------------------|---------------------------------|
| MW4009-760F-NC-BK | 9.0V | 4.4A | 5.3A | ±5% | 84% |
| MW4012-760F-NC-BK | 12.0V | 3.3A | 4.0A | ±5% | 86% |
| MW4015-760F-NC-BK | 15.0V | 2.7A | 3.2A | ±5% | 87% |
| MW4018-760F-NC-BK | 18.0V | 2.2A | 2.6A | ±5% | 87% |
| MW4024-760F-NC-BK | 24.0V | 1.7A | 2.0A | ±5% | 88% |

Notes
 1) Maximum peak load (48W) lasting 500ms with a maximum 10% duty cycle.
 2) Includes initial setting, line regulation, load, regulation, and thermal drift.
 3) Typical at 115VAC

| General | |
|------------|---|
| Efficiency | Avg. Efficiency 86.4% @ 115VAC; 85.7% @ 230VAC |
| MTBF | min. 200,000 hours demonstrated |
| Size | 5.0 (127.0mm) x 3.0 (76.2 mm) x 1.3 (33.0mm) |
| Weight | 0.8 lbs (.36 kg) |

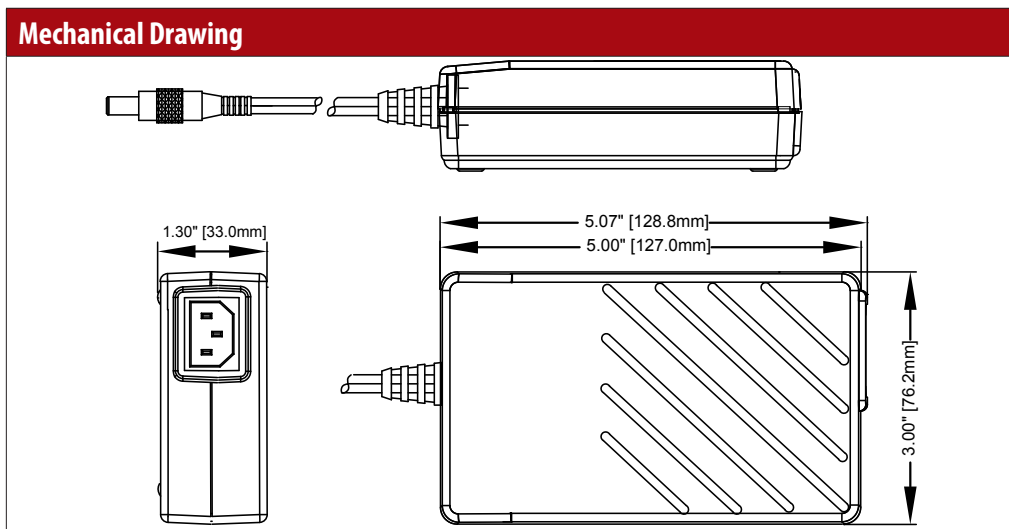
| Environmental | |
|-----------------------|---|
| Operating Temperature | 0 – 40C, linearly derated to 50% load at 60C |
| Storage Temperature | -40°C to +85°C |
| Relative Humidity | 5-95%, non-condensing |
| Cooling | Natural Convection |
| Vibration | All units production tested to 19.6m/s ² |

| EMC & Safety | |
|------------------------------------|---|
| Emissions | FCC class B, CISPR11 class B EN61000-3-2, -3 |
| Immunity | EN60601-4-2, -3, -4, -5, -6, -8, -11 |
| Certified by TUV to the following: | cTUVus |
| | UL 60601-1 |
| | CAN/CSA-22.2 No.601.1-M90 |
| | CB per IEC60601-1 |
| | CE marked to LVD |

| Input Configuration | |
|---------------------------------|------------------------|
| Standard Input Cable | Not Provided |
| Connection on Power Supply Body | IEC 320 C14 Receptacle |

| Output Configuration | |
|-----------------------|--------------------------------|
| Standard Output Cable | 6ft |
| Connector (PSU side) | Switchcraft 760 or equivalent |
| Mating Connector | Switchcraft 712A or equivalent |

| Output Pin Assignments | | |
|------------------------|--------|--|
| Center | +V1 | |
| Outside | Return | |



| Ordering Options Available |
|----------------------------|
| White Case |
| Grounded Output |
| Ferrite Cores |
| Custom Imprinting |
| Special Packaging |
| Special Labeling |
| Output Cord Lengths |
| Overmolding |