



SERIES: 15 W WALL PLUG

DESCRIPTION: SWITCHING POWER SUPPLY

**FEATURES**

- universal AC input
- regulated output voltage
- short circuit
- meets EISA / efficiency level IV regulations
- custom designs available



MODEL	output voltage		output current		output wattage	ripple*	efficiency level	cord length (mm)
	nominal (V dc)		min (A)	max (A)	max (W)	max. (mVp-p)		
EPS050260UH	5		0	2.6	13	150	IV	1000 +150/-0
EPS060250UH	6		0	2.5	15	150	IV	1000 +150/-0
EPS070214UH	7.5		0	2.14	14.7	150	IV	1000 +150/-0
EPS090166UH	9		0	1.66	14.9	150	IV	1000 +150/-0
EPS120125UH	12		0	1.25	15	150	IV	1830 +150/-0
EPS150100UH	15		0	1.0	15	150	IV	1830 +150/-0
EPS180083UH	18		0	0.83	14.9	150	IV	1830 +150/-0
EPS200075UH	20		0	0.75	15	250	IV	1830 +150/-0
EPS240063UH	24		0	0.63	15.1	250	IV	1830 +150/-0

\*at full load, 100 ~ 240 V ac input, measured at 20MHz bandwidth with a 10 uF electrolytic cap and a 0.1 uF ceramic cap on the output

**PART NUMBER KEY**

**EPS050260UH - XX - SZ - CXX**

Base Number  
example of 5 V dc, 2.6 A

DC Plug type:  
see output plug options  
on page 5

Factory  
Designation

Reserved for  
custom orders



**SERIES: 15 W WALL PLUG**

**DESCRIPTION: SWITCHING POWER SUPPLY**

## INPUT

parameter	conditions/description	min	nom	max	units
rated input voltage		100		240	V ac
input voltage range		90		264	V ac
rated frequency		50		60	Hz
frequency range		47		63	Hz
inrush current	at 115 V ac, cool start at 230 V ac, cool start			30 50	A A
no load power consumption	100 ~ 240 V ac input			0.3	W

## OUTPUT

parameter	conditions/description	min	nom	max	units
line regulation			±1		%
load regulation			±5		%
over voltage protection	output shutdown	110%		140%	V dc
short circuit protection	output shut down and auto restart				

## SAFETY & EMI

parameter	conditions/description	min	nom	max	units
HI-POT	input to output at 10 mA for 1 minute			3000	V ac
insulation resistance	input to output at 500 V dc	100			MΩ
safety approvals	UL/cUL (60950-1)				
EMI standard	FCC part 15 class B				
leakage current				0.25	mA
RoHS compliant	yes				

## ENVIRONMENTAL

parameter	conditions/description	min	nom	max	units
operating temperature		0		40	°C
operating humidity		20		80	%
storage temperature		-10		70	°C
storage humidity		10		90	%

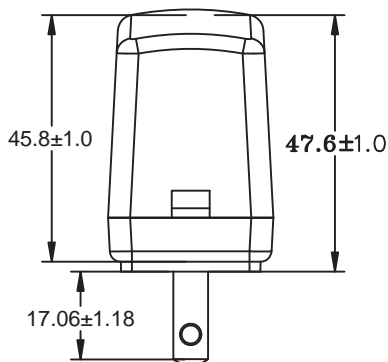
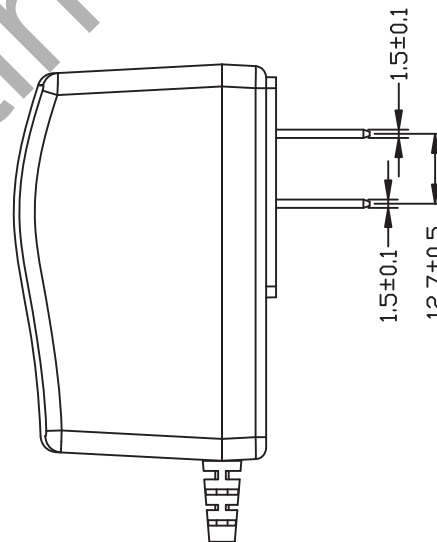
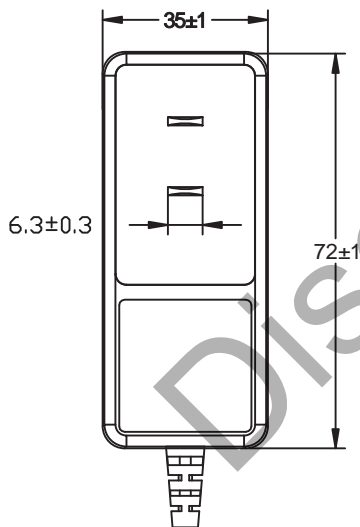
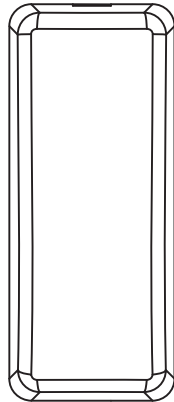


SERIES: 15 W WALL PLUG

DESCRIPTION: SWITCHING POWER SUPPLY

**MECHANICAL DRAWING**

input plug	Fixed (UL)
weight	180 g
case size	72 L x 47.6 W x 35 H mm tolerance: $\pm 1$ mm

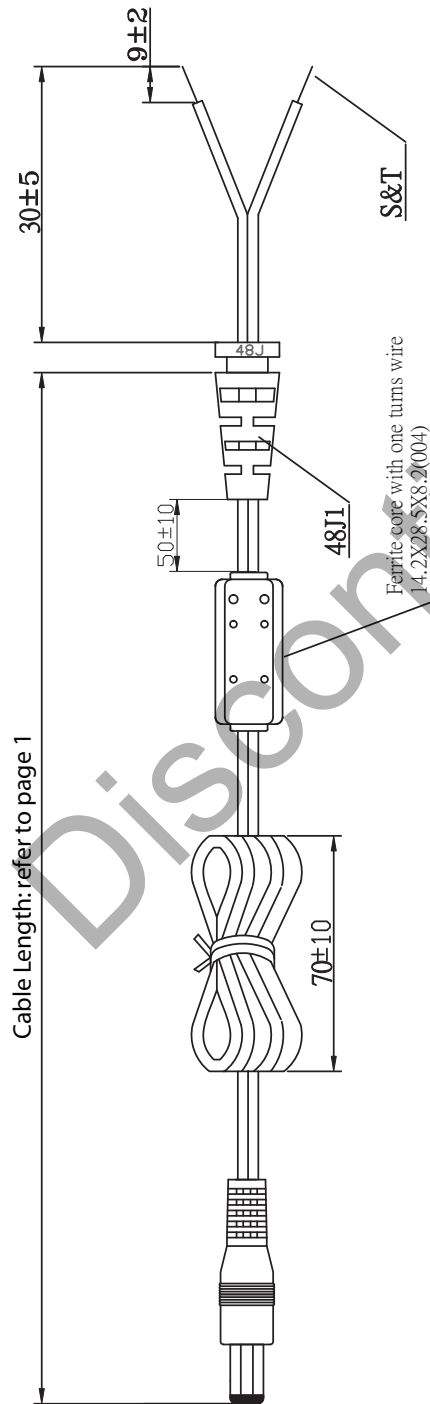




SERIES: 15 W WALL PLUG

DESCRIPTION: SWITCHING POWER SUPPLY

DC CORD



Black wire, white stripe: Positive

Cable Gauge	
EP5050260	18 AWG
EP5060250	18 AWG
EP5070214	18 AWG
EP5090166	20 AWG
EP5120125	20 AWG
EP5150100	20 AWG
EP5180083	20 AWG
EP5200075	20 AWG
EP5240063	20 AWG

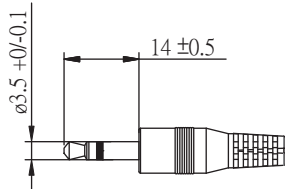


SERIES: 15 W WALL PLUG

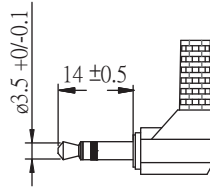
DESCRIPTION: SWITCHING POWER SUPPLY

**DC OUTPUT PLUG OPTIONS**

**3.5 mm Phono Plug**



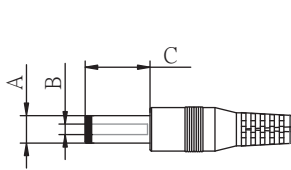
P1



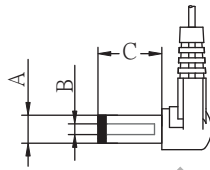
P1R

\*Tip positive

**Standard DC Plug**



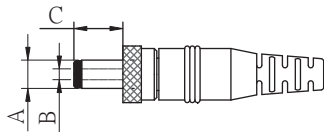
Standard PX



Right Angle PXR

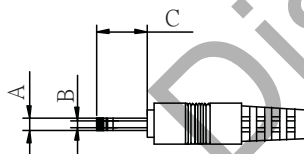
	A	B	C	Unit
P5/P5R	5.5	2.1	12	mm
P6/P6R	5.5	2.5	9.5	mm
P7/P7R	3.5	1.3	9.5	mm
P8/P8R	3.8	1.35	9.5	mm
P9/P9R	3.8	1.05	9.5	mm

**Locking DC Plug**

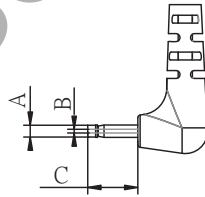


	A	B	C	Unit
P10	5.5	2.1	9.5	mm
P11	5.5	2.5	9.5	mm

**EIAJ Plugs**

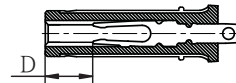


Standard PXX

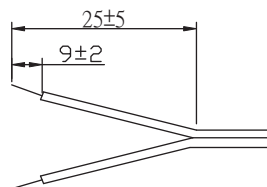


Right Angle PXXR

	EIAJ	A	B	C	D	Unit
P12/P12R	EIAJ-1	2.35	0.7	9.5	NA	mm
P13/P13R	EIAJ-2	4.0	1.7	9.5	5.0	mm
P14/P14R	EIAJ-3	4.75	1.7	9.5	5.0	mm



**Stripped and Tinned**



**DC PLUG TYPE**

**ST**  
stripped and tinned

**PXX X X**

Plug type      Plug angle: "blank" = standard  
R = right angle      Plug polarity: "blank" = N/A  
P = center positive      N = center negative

⊖ ⊕      ⊕ ⊖

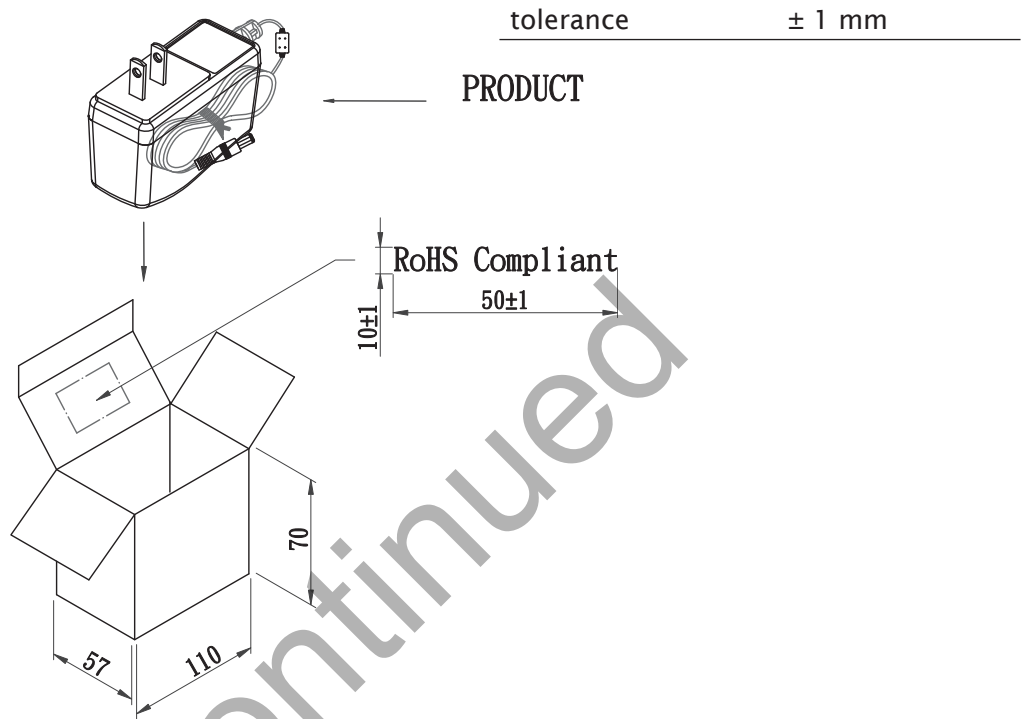
\*Contact CUI for additional output plug options.



SERIES: 15 W WALL PLUG

DESCRIPTION: SWITCHING POWER SUPPLY

**INDIVIDUAL PACKAGING**



**PACKAGING**

tolerance	+7 / -0 mm
-----------	------------

CARTON INTERNAL SIZE: 450\*308\*300mm

Q'TY: 80PCS(20\*4)

"RoHS Compliant"

