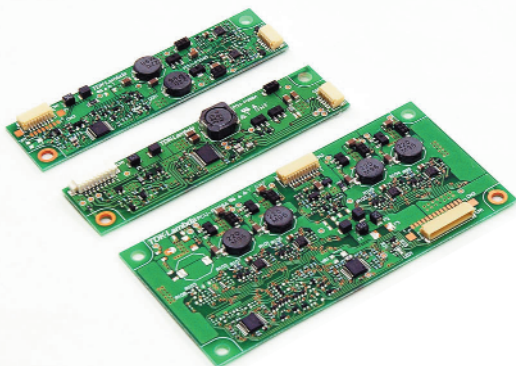


LED Backlighting Power Supplies for LCD Displays



- ◆ Two to Four Strings
- ◆ 12VDC Input
- ◆ Analog or Resistive Dimming
- ◆ Low Profile

RoHS

Key Market Segments & Applications

Industrial LED LCD Backlighting

Features and Benefits

Feature	Benefit
◆ Low Profile	◆ Can be used with thin displays
◆ Off the shelf solution	◆ No need to design a custom unit
◆ Resistive or Analog Dimming	◆ Easier system integration

Specifications

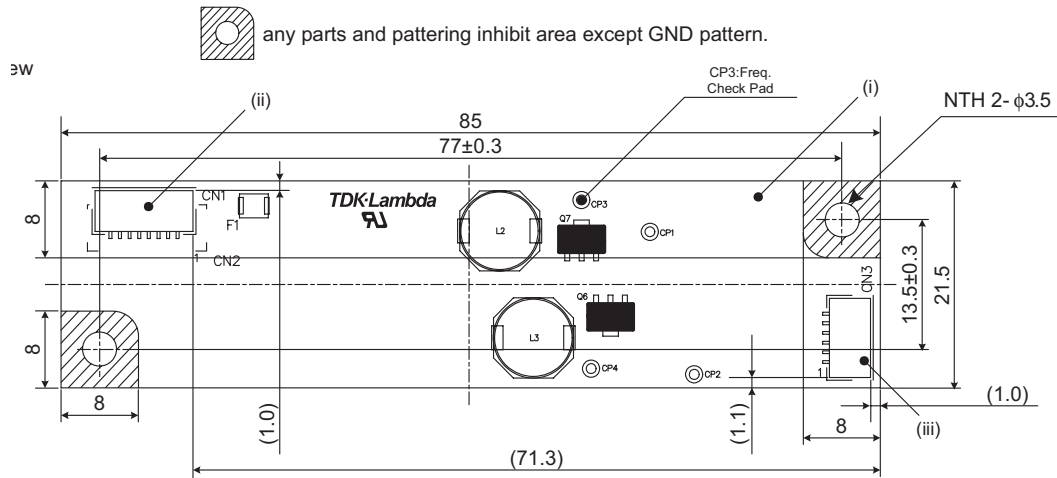
MODEL		ALD-214012PJ111	ALD-310012PJ125	ALD-414012PJ126
ITEMS				
Number of LED Strings	-	2	3	4
DC Input	VDC	10.8 - 13.2VDC		
Input Current Max.(norm./inhib.)	A	1.2 / 0.001A	1.5 / 0.001A	2.0 / 0.001A
Output Current (each string)	mA	140mA	100mA	140mA
Burst Frequency	Hz	150Hz	220Hz	150Hz
Analog Dim. (Dark to Light) Vbr	VDC	2.5V to 0V	0V to 4V	2.5V to 0V
Analog Dim. (Dark to Light) Rbr	kΩ	0 - 50	10 - 0	0 - 50
PWM Dimming	VDC	2.5V to 0V	0 to 2.5V	2.5V to 0V
Remote On/Off (Vrmt)	VDC	OFF: 0V - 0.4V or floating, ON: 2.5V - Vin		
Maximum Output Voltage	VDC	44V	42V	44V
Overvoltage Alarm	-	Approximately 5V if any one string is open		
Operating Temperature	°C	-30 to +85°C		
Storage Temperature	°C	-40 to +85°C		
Maximum Humidity (1)	%RH	95%RH (Storage or Operating)		
Cooling	-	Convection		
Input to Output Isolation	-	None		
Vibration	-	588m/s ² (60G) 11ms Half-sine wave once each axis X,Y,Z,-X,-Y,-Z total 6 times		
Shock	-	5~10Hz Amplitude 10mm, 10~200Hz Accelerated Velocity 21.6m/s ² (2.2G)		
Weight (Typ)	g	9g	10g	22g
Size (LxWxH)	mm	85 x 21.5 x 5mm	85 x 21.5 x 5.5mm	100 x 50 x 5.2mm
Warranty	Yr	One Year		

Note: See Installation Manual for full details, test methods of parameters and application notes

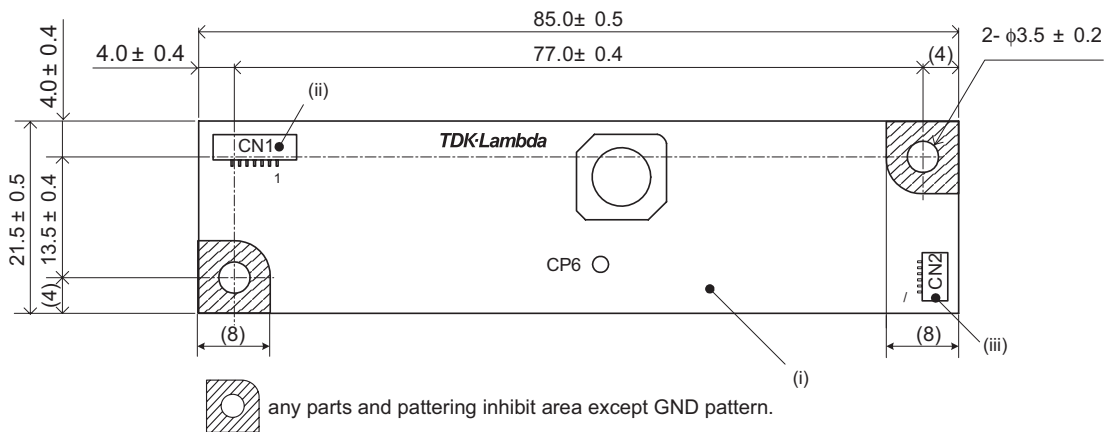
(1) non condensing

Outline Drawing

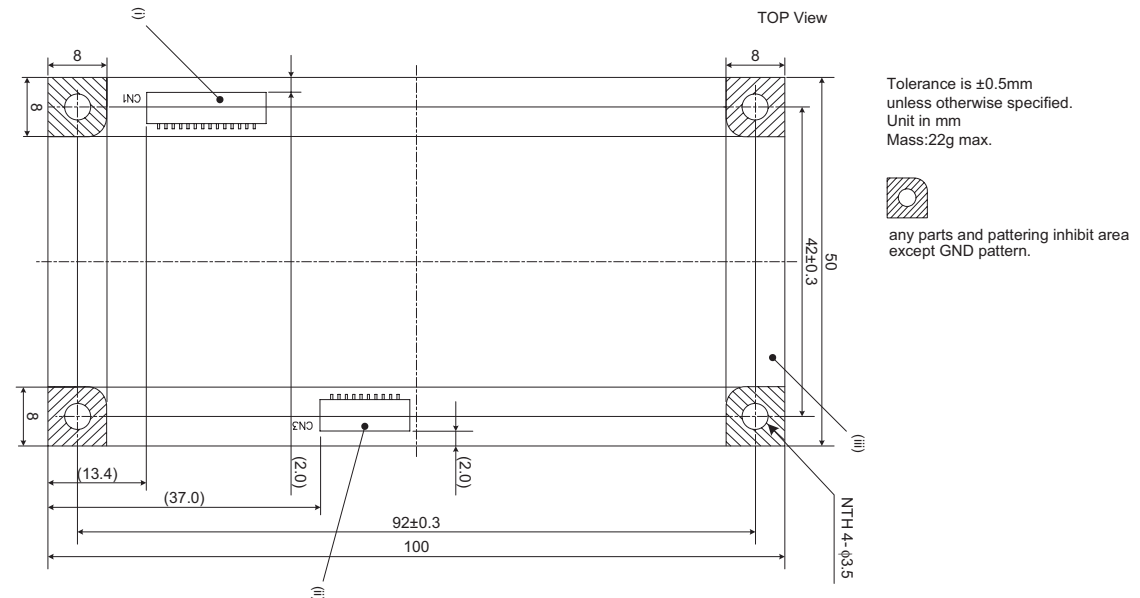
ALD-214012PJ111



ALD-310012PJ125



ALD-414012PJ126



For Additional Information, please visit us.tdk-lambda.com/lp/products/ald-series.htm