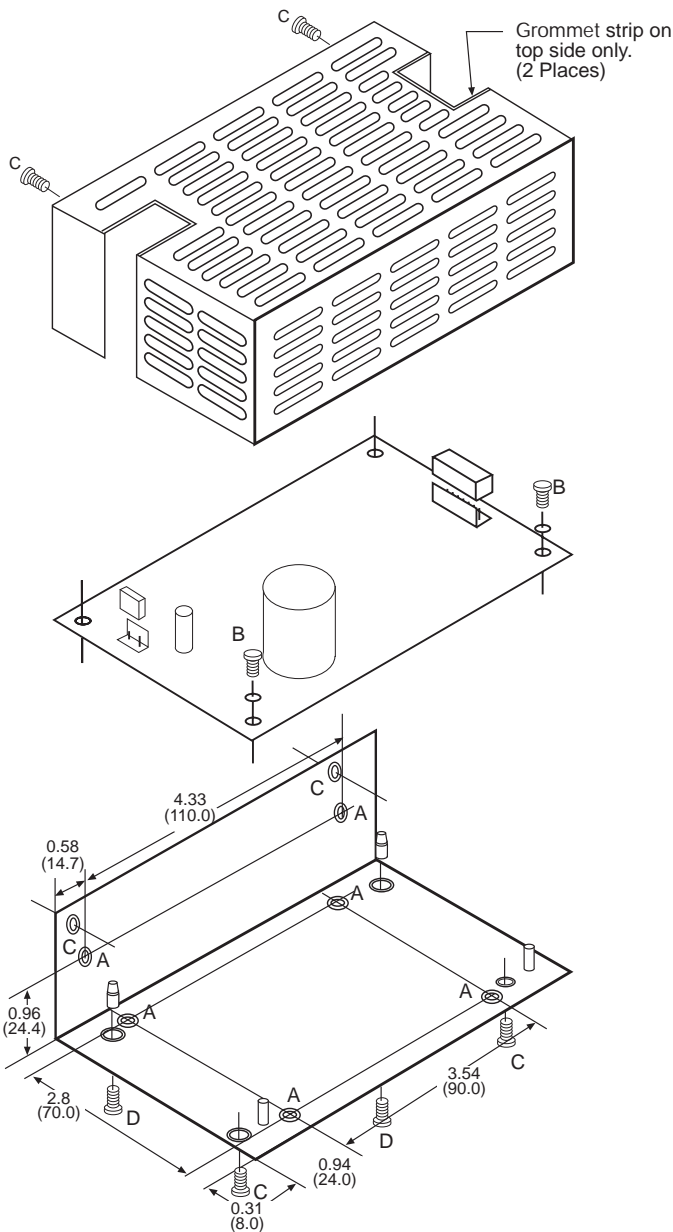


NLP65 Series

Cover, connector and mounting kit

- L-bracket and slotted cover
- Assembly instructions
- Mounting screws
- Crimp terminals
- Mating connectors

MECHANICAL SPECIFICATIONS



MODEL NUMBER: NLP65 COVER KIT

L-BRACKET outside dimensions: 139.5 x 87.2 x 47.9mm
COVER outside dimensions: 139.5 x 85.8 x 46.3mm
See cover kit assembly notes

Note: When a cover or other sheetmetal option is added by a person or persons outside the factory, it is the user's responsibility to ensure that the requirements of the relevant safety agency, or agencies, are complied with.

Cover Kit Assembly Notes

- 1 Before assembly, ensure unit has been turned off for at least 10 minutes.
- 2 "A" denotes customer mounting holes (threaded M3 [Qty: 6]). Maximum screw penetration into customer mounting holes is 3mm.
- 3 "B" denotes PCB fixing screws (Pan head Philips M3 X8 [Qty: 2]).
- 4 "C" denotes case assembly points and screws (c'sunk Philips head M3 X6 [Qty: 4]).
- 5 "D" denotes case assembly points and stand-off screws [Qty: 2] (#6 self tapping, slot head, c'sunk, 7mm).
- 6 Cover cable exit area with grommet strip (optional).
- 7 Ensure all parts are free of foreign materials.

Data Sheet © Artesyn Technologies® 2002

The information and specifications contained in this data sheet are believed to be correct at time of publication. However, Artesyn Technologies accepts no responsibility for consequences arising from printing errors or inaccuracies. Specifications are subject to change without notice. No rights under any patent accompany the sale of any such product(s) or information contained herein.