

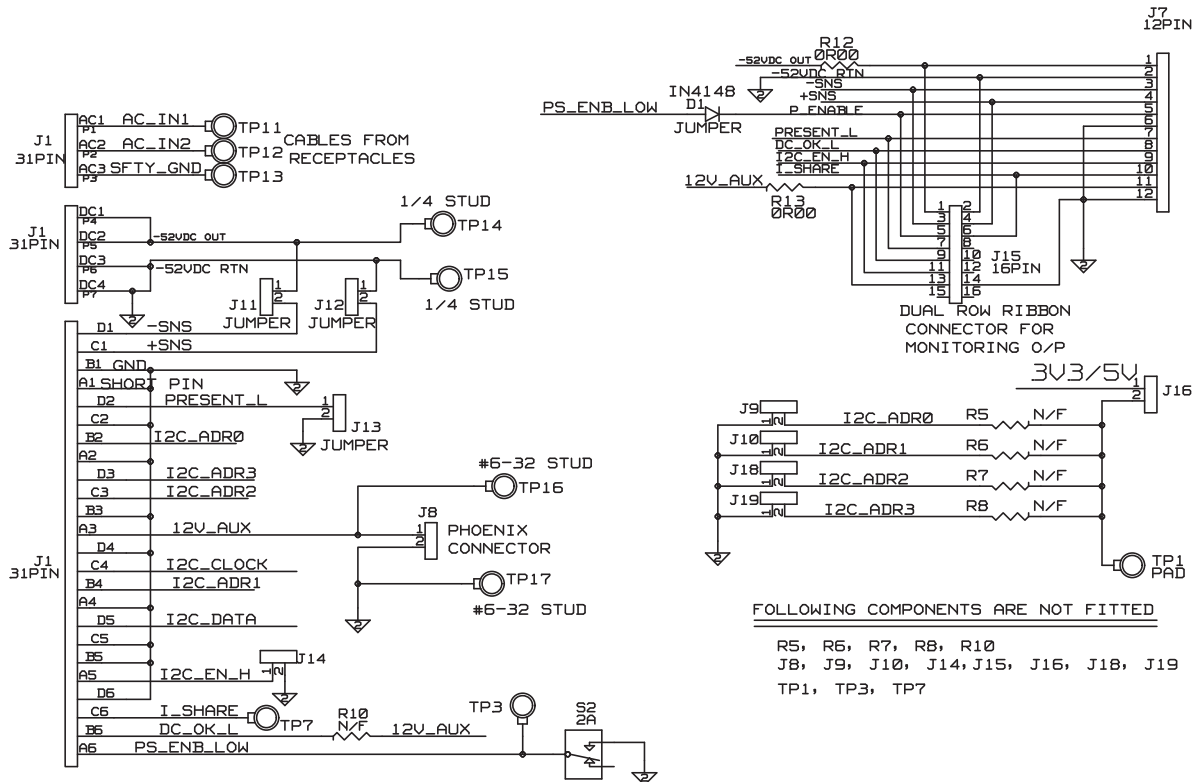
PRODUCT OVERVIEW

This Output Connector card can be used to connect the D1U power supply for bringing out the output voltage and signals for bench evaluation. Customers can also use this card as an interface to their applications.

SAFETY PRECAUTION

This D1U output connector card is intended to facilitate the connection for the user to evaluate the D1U power supply in the laboratory by qualified personnel. There is 200Vac and 52V exposed on this output connector card, please take the necessary safety precautions during your product evaluation.

SCHEMATIC - D1U-52-CONC



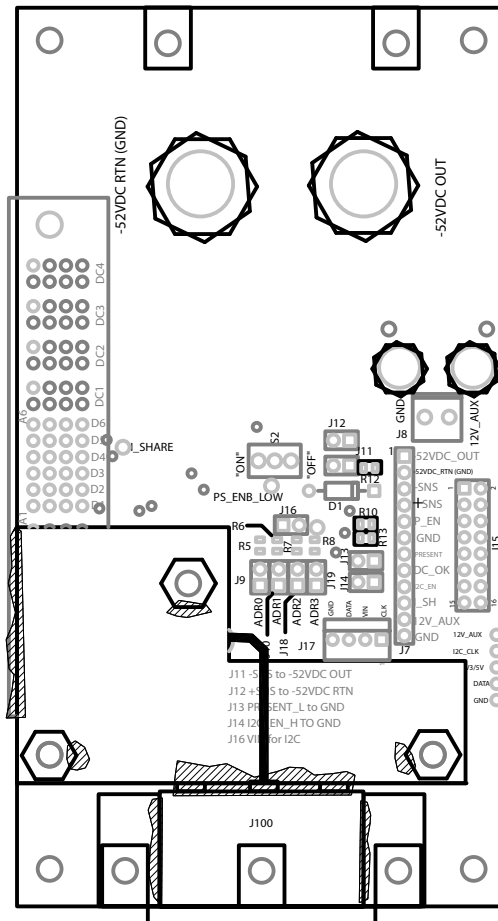
For full details go to
www.murata-ps.com/rohs

SIGNAL SPECIFICATION				
Pin Assignment	Signal Name	Description	High Level Low Level	I Max
D2	P_Good	Power good signal output (Internal pull up is 5kΩ to Vsb)	>2.4V (active, Good) <0.4V	-2 mA +4 mA
A1	+SENSE1	VOUT remote sense, positive node input, connected to the +ve load point		
A2	-SENSE1	VOUT remote sense, negative node input connected to the -ve load point		
A6	PS_ON	Internal 1K ohm pull-up to Vsb, (accepts open collector/ drain drive), This signal to be pulled low to turn-on power supply	>2.1V (open, or Vsb) <0.7V (active, PS:On)	-1 mA -4 mA
B5	PS_Kill	Floating pin will turn off P/S (shorter pin, last-make and first-break contact for hot plugging). This signal overrides PS-On in disabling the main output	>2.1V <0.7V (open, or Vsb) (active, PS:On)	N/A
B6	Present	Internally tied to Vsb return	0 V	
	N/C	No Connection		
	N/C	No Connection		
	N/C	No Connection		
D1	AC_OK	Input AC Voltage "OK" signal output (Internal pull up is 5kΩ to Vsb)	>2.4V (active, OK) <0.4V	-2 mA +4 mA
C5, C6, D5, D6	V_SB	Standby voltage output		

There is a jumper already installed between PS_Kill and Gnd .

There is a switch already installed to toggle the PS_ON to Gnd for enabling the power supply.

MECHANICAL DIMENSIONS - D1U-52-CONC



Dimensions: 3" x 5.5"