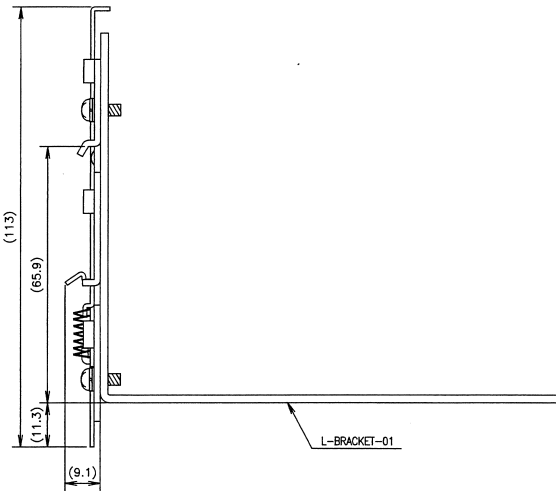
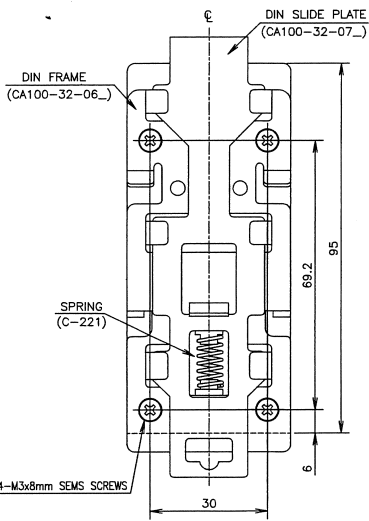
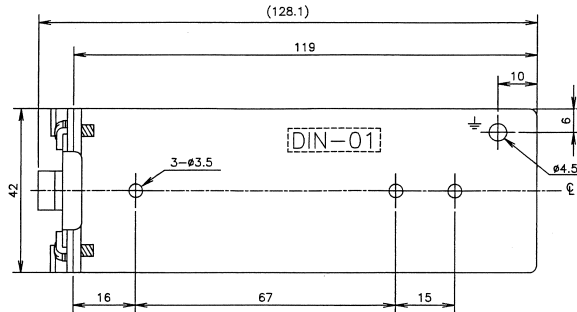


RoHS Compliance

REFER TO DL GROUP GREEN PROCUREMENT GUIDE LINE (DL-EMS-010\_).



PARTS LIST

PARTS LIST	CATALOG No.	NET	MANUFACTURE
1 DIN FRAME	CA100-32-06_ (ONWARD CA100-32-06C)	1	D-L
2 DIN SLIDE PLATE	CA100-32-07_ (ONWARD CA100-32-07C)	1	D-L
3 L-BRACKET-01	8000-3-667_	1	D-L
4 SPRING	C-221	1	KATO SPRING
5 SCREWS	M3x8mm SEMS	4	D-L



SCALE	1/1	MATERIALS	SPCC-SD	TITLE	DIN-01(HWS15/30)
			t=2.0		MOUNTING PLATE
UNITS	mm	FINISH		DRAWING No.	8000-3-664 - □
3RD ANGLE PROJECTION			<b>DENSEI-LAMBDA</b>		

-	-1	NEW RELEASE	29/2.1/05	U. Kondo	Fukuda	Shige
D	REV	CONTENTS	DATE	ENGR	CHK	APPD

R:\Engineering\_control\other\8000\80003664.dwg