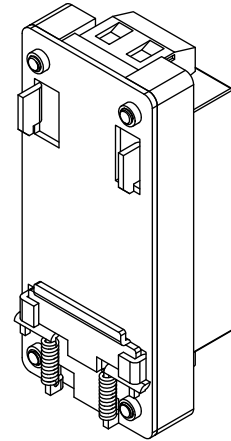
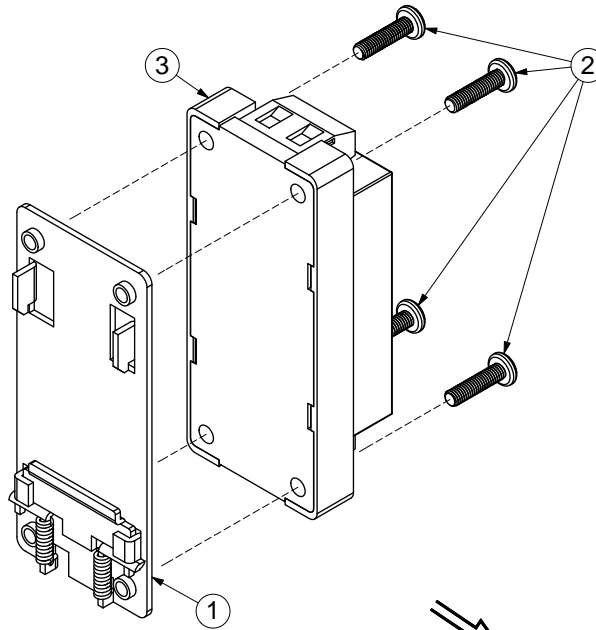
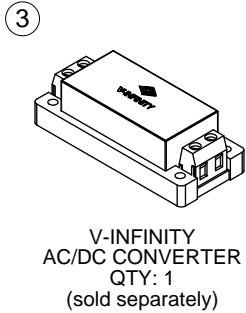
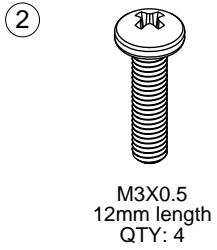
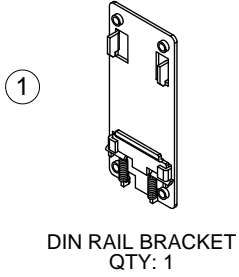


REV.	DESCRIPTION	DATE
A	NEW DRAWING	9/15/2008

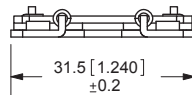
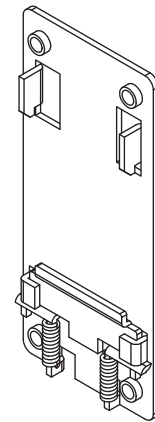
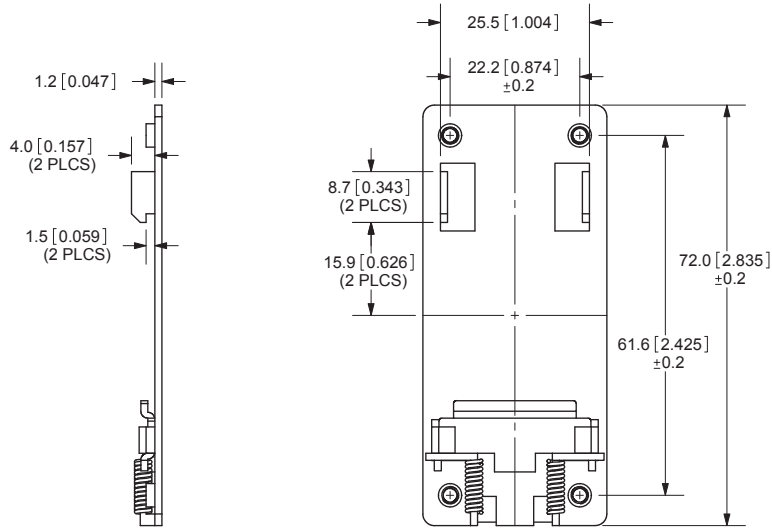


PC FILE NAME:
FSC-S5-DIN

COPYRIGHT 2008 BY CUI INC.

TITLE: DIN RAIL MOUNTING BRACKET ASSEMBLY INSTRUCTIONS		REV: A
PART NO: FSC-S5-DIN	UNITS: MM [INCHES]	
DRAWN BY: ZRJ	APPROVED BY:	SCALE: 1:1

REV.	DESCRIPTION	DATE
A	NEW DRAWING	9/15/2008



TOLERANCE:
±0.3mm UNLESS OTHERWISE
SPECIFIED



20050 SW 112th Ave.
Tualatin, OR 97062
Phone: 503-612-2300
800-275-4899
Fax: 503-612-2383
Website: www.cui.com

TITLE: DIN RAIL MOUNTING BRACKET ASSEMBLY INSTRUCTIONS		REV: A
PART NO: DIN RAIL BRACKET	UNITS: MM [INCHES]	
DRAWN BY: ZRJ	APPROVED BY:	SCALE: 1:1

PC FILE NAME:

COPYRIGHT 2008 BY CUI INC.