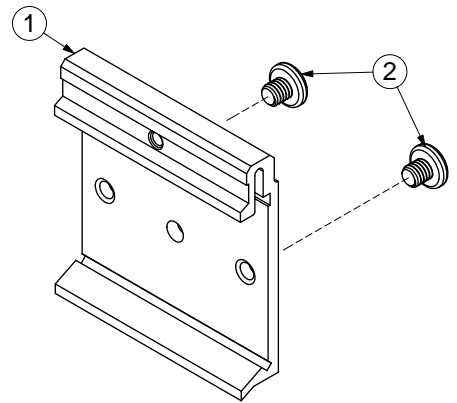
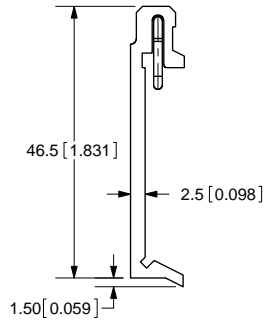
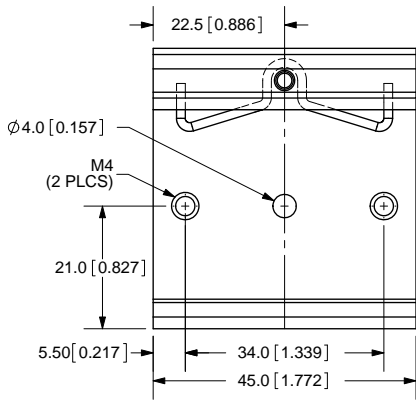


REV.	DESCRIPTION	DATE
A	NEW DRAWING	12/14/2010



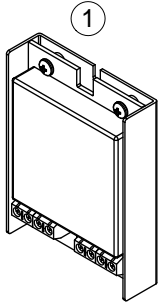
20050 SW 112th Ave.
Tualatin, OR 97062
Phone: 503-612-2300
800-275-4899
Fax: 503-612-2383
Website: www.cui.com

TITLE: DIN RAIL MOUNTING BRACKET		REV: A
PART NO. STK-DIN	UNITS: MM [INCHES]	
DRAWN BY: ZRJ	APPROVED BY:	SCALE: 1:1

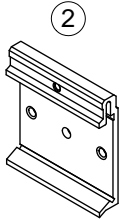
ITEM	DESCRIPTION	QUANTITY
1	VDRP-03	1
2	M4X4 SCREWS	2

PC FILE NAME:
STK-DIN

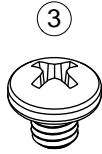
COPYRIGHT 2010 BY CUI INC.



V-INFINITY CHASSIS MOUNT CONVERTER
QTY: 1
(sold separately)



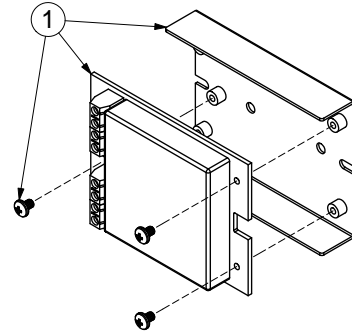
VDRP-03
QTY: 1



M4X4
QTY: 2

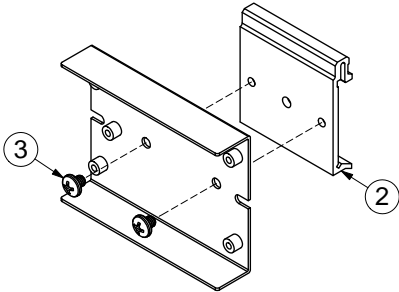
STEP 1

REMOVE PCB ASSEMBLY FROM V-INFINITY CHASSIS MOUNT CONVERTER U-FRAME BY LOOSENING THREE M3X6 SCREWS



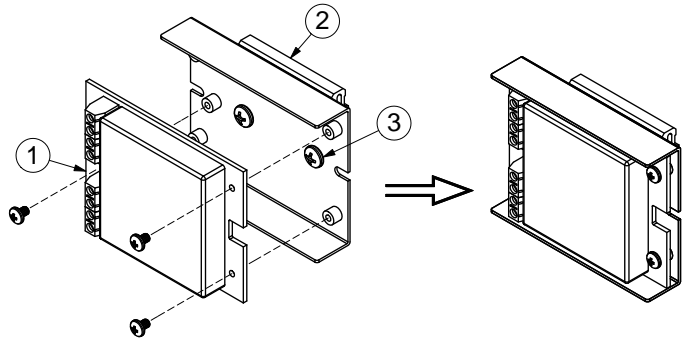
STEP 2

ATTACH VDRP-03 TO V-INFINITY CHASSIS MOUNT CONVERTER U-FRAME USING TWO M4X4 SCREWS



STEP 3

REATTACH PCB ASSEMBLY TO U-FRAME OF V-INFINITY CHASSIS MOUNT CONVERTER USING THREE M3X6 SCREWS



PC FILE NAME:
STK-DIN

COPYRIGHT 2010 BY CUI INC.

TITLE: DIN RAIL MOUNTING BRACKET ASSEMBLY INSTRUCTIONS		REV: A
PART NO. STK-DIN	UNITS: MM [INCHES]	
DRAWN BY: ZRJ	APPROVED BY:	SCALE: 1:2