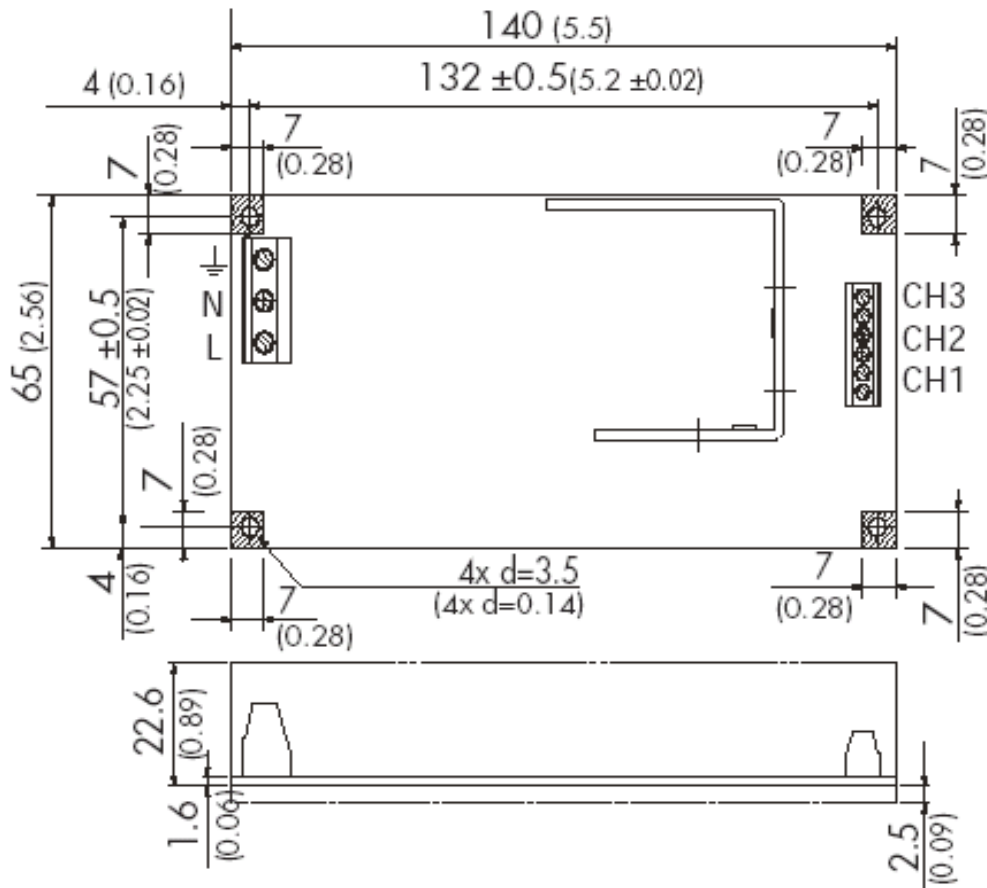


MODEL	OUTPUT 1		OUTPUT 2		OUTPUT 3		Ripple & Noise (mVp-p)
KLT30F-0522	+5V	4.0A	+12V	1.2A	-12V	0.5A	150mVp-p
KLT30F-0533	+5V	4.0A	+15V	1.0A	-15V	0.5A	150mVp-p

MAX POWER NOT TO EXCEED 15WATTS

KLT30F



Note:

- **Phoenix connector shown. JST and Molex connectors available.**
- Measurements in millimeter (mm) unless otherwise specified
- Tolerance ± 1mm

NOTE:

All specifications typical and nominal / full load and 25°C unless otherwise noted.
 Avoid sustained operation in overload or dead short conditions.
 Specifications subject to changes without notice.