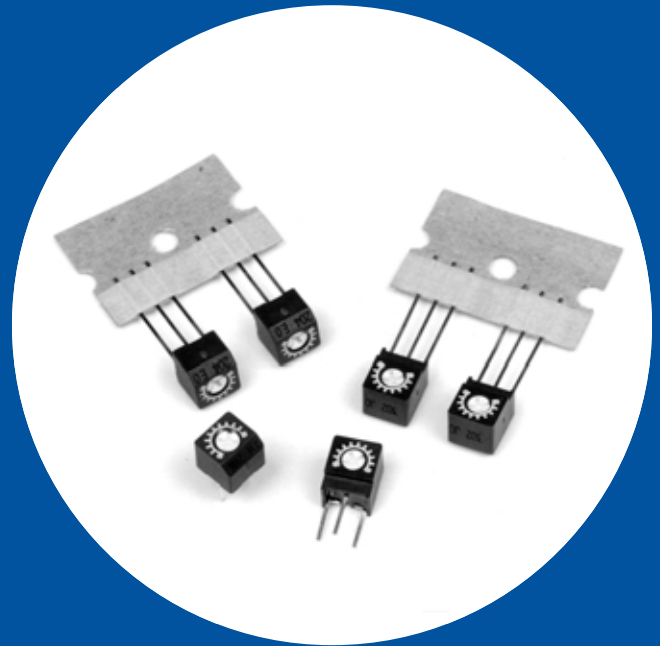


Commercial miniature 6 mm square cermet trimmer potentiometer

- Easy and stable adjustment
- Auto solder, ultrasonic cleaning, immersion cleaning available
- Variety of terminal pitches
- Cross-slot knob for ease of adjustment
- Auto insertion with radial taping



Electrical and Mechanical Specifications

Taper

Linear

Resistance Range

10 ohms to 2 megohms
(See Resistance Code Table)

Resistance Tolerance

± 20%

Residual Resistance

Less than 1% of the total resistance or
3 ohms, whichever is greater

Power Rating

0.5 watt at 70°C, 0 watts at 125°C

Maximum Working Voltage

200 V or \sqrt{PR} = whichever is less

Temperature Range

-55°C ~ +125°C

Temperature Coefficient

±100 ppm/°C (except 10 ohms ≈ +200 ppm/°C)

Noise (Contact Resistance Variation)

Less than 3% of total resistance or 3 ohms,
whichever is greater

Insulation Resistance

DC 500 V, 1000 megohms, minimum

Dielectric Strength

AC 500 V 1 minute

Rotation Angle

250° ± 10°

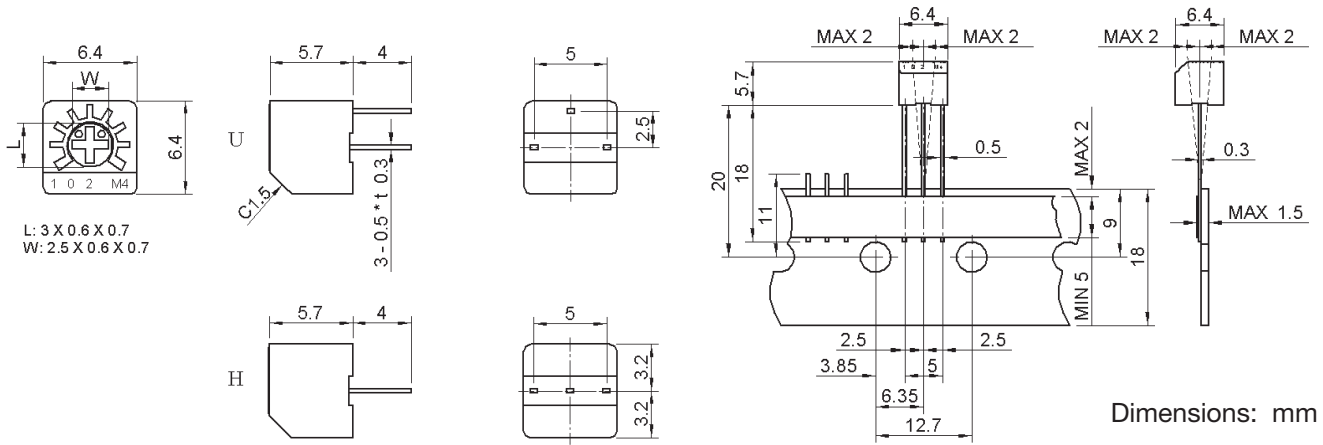
Operation Torque

20 mN•m, maximum

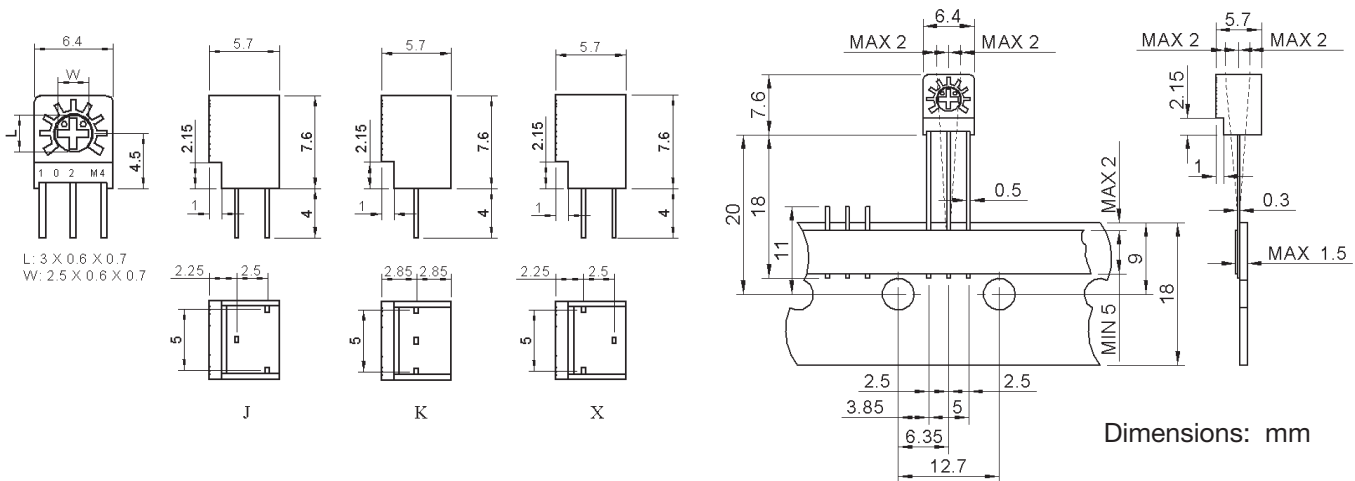
Stop Strength

50 mN•m, maximum

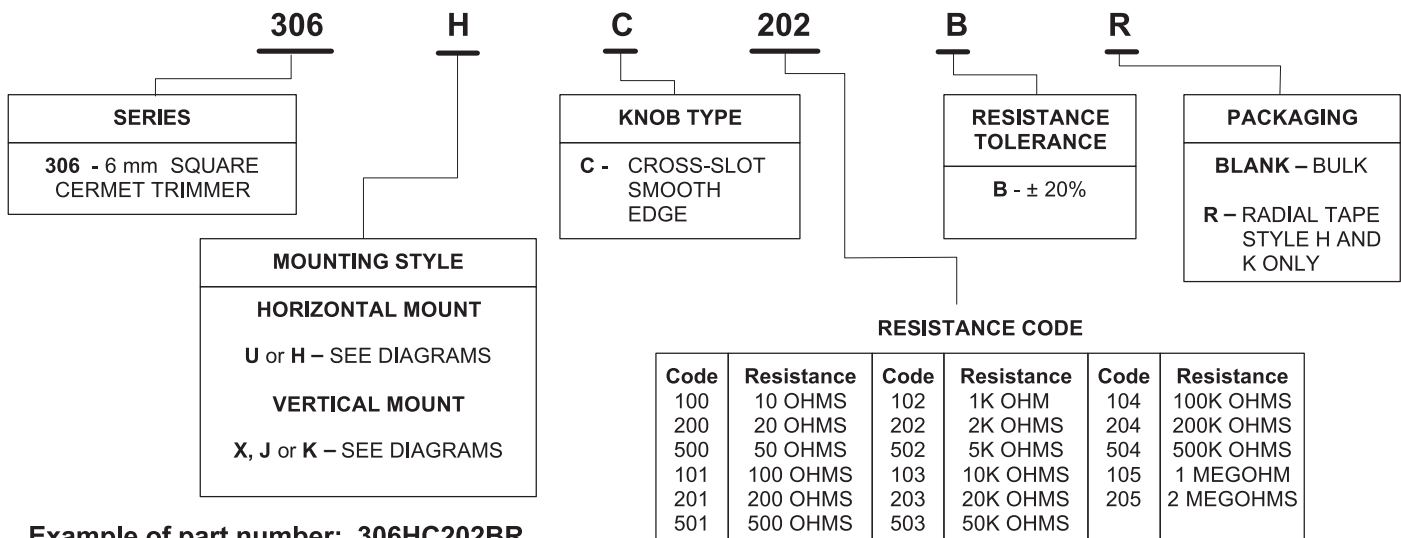
Horizontal mounting - Knob parallel to printed circuit board



Vertical Mounting - Knob perpendicular to printed circuit board



Ordering Information



Order From:

CTS CORPORATION, RESISTOR / ELECTROCOMPONENTS / 406 Parr Road / Berne, IN 46711

PHONE: (260) 589-3111 / FAX: (260) 589-3243

<http://www.ctscorp.com>

CTS COMPONENTS TAIWAN, LTD. / 7, Central 6th Road (Chung Liu Road) / P.O. Box 26-20

Kaohsiung Export Processing Zone / Kaohsiung, Taiwan, Republic of China

PHONE: (07) 8216145 / FAX: 8417642.8110040