

## 15W and 30W Single Output Industrial Power Supplies



- ◆ 5 Year Warranty
- ◆ Low Profile
- ◆ Universal Input range
- ◆ Screw terminal connection
- ◆ DIN Rail mount bracket available

### Key Market Segments & Applications

Factory Automation	Process Control, NC-Machining, Automotive, Packaging Equipment, Materials Handling, Chemical Processing, Robots
Test & Measurement	Burn-in & Test, Automated Test, Instrumentation, Measurement, Detection
Automated Service	Vending Machines, Elevators, Video Gaming, Point of Sale Equipment

### RWS Features and Benefits

#### Feature

- ◆ 5 Year Warranty
- ◆ Wide input range
- ◆ Level B EMI
- ◆ Low profile

#### Benefit

- ◆ Lower Cost of Ownership
- ◆ Supports Global Use
- ◆ Assists System Compliance
- ◆ Easier system integration

### Specifications

VOLTAGES		5V	12V	15V	24V	48V
ITEMS						
Input Voltage range	-	85 - 265VAC (47-440Hz) 110-330VDC				
Inrush Current (100 / 200VAC)	A	20 / 40				
Temperature Coefficient	-	1% typical 0 - 50°C				
Adjustment range	V	4.5-5.5	10.8-13.2	13.5-16.5	21.6-26.4	43.2-52.8
Line Regulation	mV	20	48	60	96	192
Load Regulation	mV	40	100	120	150	250
Ripple and Noise	mV	120	150		200	300
Overcurrent Protection	A	>105%				
Overvoltage Protection	V	5.75-6.75	13.8-16.2	17.3-20.3	27.6-32.4	55.2-64.8
Efficiency (RWS15/RWS30) (1)	% typ	71/72	75/77	77/79	78/81	
Hold Up Time (Typ)	ms	20ms (at 100VAC, nominal output, 25°C)				
Operating Temperature	-	0 to +60°C, derate linearly to 60% load from 50°C to 60°C(2)				
Storage Temperature	-	-30 to +85°C				
Operating Humidity	-	30 - 90% RH (Non condensing)				
Storage Humidity	-	10 - 95% RH (Non condensing)				
Cooling	-	Convection				
Withstand Voltage	-	Input to Chassis 2kVAC (20mA), Input to Output 3kVAC (20mA), Output to Chassis 500VAC (100mA) for 1 min.				
Isolation Resistance	-	>100M at 25°C & 70%RH, Output to Ground 500VDC				
Vibration (non operating)	-	10 - 55Hz (1 minute sweep), 19.6m/s <sup>2</sup> constant X, Y, Z 1 hour				
Shock	-	< 196.1 m/s <sup>2</sup>				
Safety Agency Approvals	-	UL1950, CSA950, EN60950, CE Mark (LVD), Built to meet DENTORI				
Conducted & Radiated EMI	-	EN55011 / EN55022-B, FCC Class B				
Recommended EMI Filter	-	RWS15A: MAW12R5-22, RWS30A: MAW1201-22				
Weight (Typ)	g	RWS15A: 270, RWS30A: 310				
Size (WxHxD)	mm	RWS15A: 35 x 97 x 98.5, RWS30A 35 x 97 x 121.5 (3)				
Warranty	-	Five Years				

(1) At 100VAC, Maximum output power, and 25°C

(2) derate linearly to 50% load from 45°C to 60°C with cover fitted

(3) Refer to Outline Drawing

## Output Ratings

Model	Voltage	Max Current
RWS15A-5/A	5V	3A
RWS30A-5/A	5V	6A
RWS15A-12/A	12V	1.3A
RWS30A-12/A	12V	2.5A
RWS15A-15/A	15V	1A
RWS30A-15/A	15V	2A
RWS15A-24/A	24V	0.7A
RWS30A-24/A	24V	1.3A
RWS15A-48/A	48V	0.3A
RWS30A-48/A	48V	0.6A
LDIN30	DIN Rail mounting bracket (order separately)	

## Options

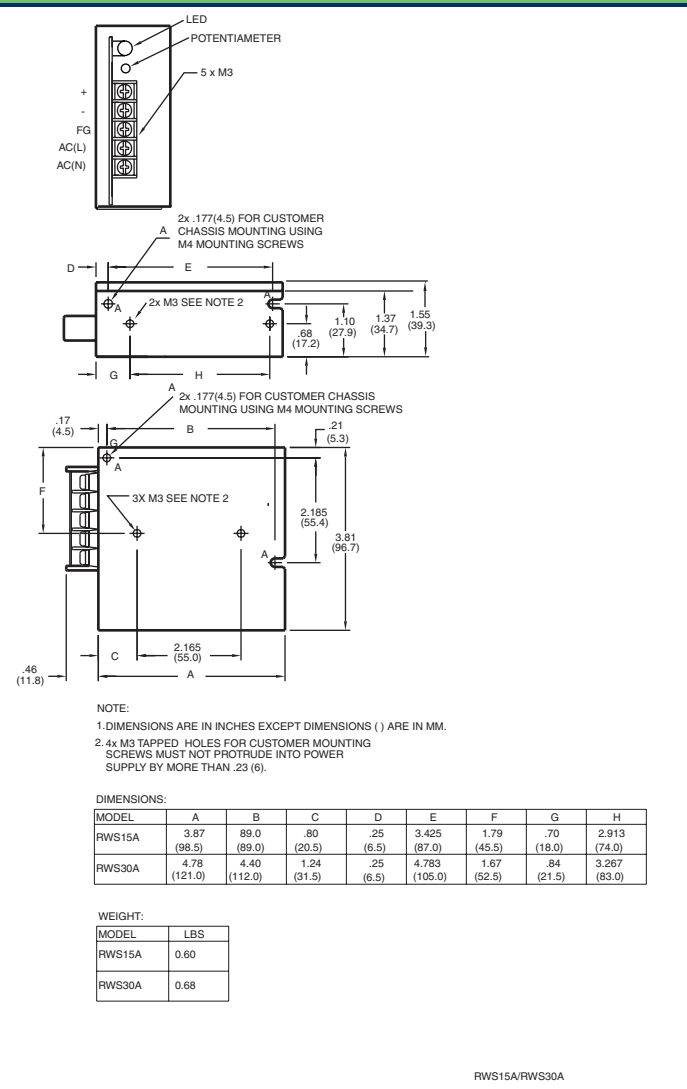
Suffix	Description
Blank	No Cover
/A*	Cover
Note:	* Standard US stock item

## Other Lambda Industrial Products

JWS, JWS-P & JWT	50W to 600W Single and triple output
JFS	500W to 2000W Single output
DLP/DHP	75W to 960W DIN Rail single output
ZWS	5W to 150W Low cost single output

For Additional Information, please visit  
[www.lambdapower.com/products/rws-a-series.htm](http://www.lambdapower.com/products/rws-a-series.htm)

## RWS Outline Drawing



RWS15A/RWS30A