

Discontinuation Notice of Switch Mode Power Supply

S82J series

Product Discontinuation

Recommended Replacement



Switch Mode Power Supply
S82J series



S8JX series

(S8VM-10015□□ for 100W(15V) model)

Discontinuation date : The end of September, 2010

Caution on recommended replacement

Dimensions and Mounting Dimensions are different.
There is a type with long Startup time.
There is a type different in Overload protection characteristics.

Difference from discontinued product

Model	Body Color	Dimensions	Wire connection	Mounting Dimensions	Characteristics	Operation ratings	Operation methods
S8JX series	**	--	* (depend on type)	--	*	*	*
S8VM-10015□□	* (depend on type)	--	*	--	*	*	*

** : Fully compatible

* : The change is a little / Almost compatible

-- : Not compatible

- : No corresponding specification

Product Discontinuation and recommended replacement

Configuration		Product discontinuation				Recommended replacement			
		Power Ratings	Output Voltage	Output current	Model	Power Ratings	Output Voltage	Output current	Model
Open-frame type	Front-mounting	10W	5V	2A	S82J-01005A	15W	5V	3A	S8JX-G01505
			12V	1A	S82J-01012A		12V	1.3A	S8JX-G01512
			15V	0.7A	S82J-01015A		15V	1A	S8JX-G01515
			24V	0.5A	S82J-01024A		24V	0.65A	S8JX-G01524
		25W	5V	5A	S82J-02505A	35W	5V	7A	S8JX-G03505
			12V	2.1A	S82J-02512A		12V	3A	S8JX-G03512
			15V	1.7A	S82J-02515A		15V	2.4A	S8JX-G03515
			24V	1.1A	S82J-02524A		24V	1.5A	S8JX-G03524
		50W	5V	10A	S82J-05005A	50W	5V	10A	S8JX-G05005
			12V	4.2A	S82J-05012A		12V	4.2A	S8JX-G05012
			24V	2.1A	S82J-05024A		24V	2.1A	S8JX-G05024
		100W	5V	20A	S82J-10005A	100W	5V	20A	S8JX-G10005
	12V		8.5A	S82J-10012A	12V		8.5A	S8JX-G10012	
	15V		7A	S82J-10015A	15V		7A	S8VM-10015	
	24V		4.5A	S82J-10024A	24V		4.5A	S8JX-G10024	
	150W	24V	6.5A	S82J-15024A	150W	24V	6.5A	S8JX-G15024	
				S82J-15024B					
				S82J-15024C					
	DIN Rail-mounting	10W	5V	2A	S82J-01005AD	15W	5V	3A	S8JX-G01505D
			12V	1A	S82J-01012AD		12V	1.3A	S8JX-G01512D
			15V	0.7A	S82J-01015AD		15V	1A	S8JX-G01515D
			24V	0.5A	S82J-01024AD		24V	0.65A	S8JX-G01524D
		25W	5V	5A	S82J-02505AD	35W	5V	7A	S8JX-G03505D
			12V	2.1A	S82J-02512AD		12V	3A	S8JX-G03512D
15V			1.7A	S82J-02515AD	15V		2.4A	S8JX-G03515D	
24V			1.1A	S82J-02524AD	24V		1.5A	S8JX-G03524D	
50W		5V	10A	S82J-05005AD	50W	5V	10A	S8JX-G05005D	
		12V	4.2A	S82J-05012AD		12V	4.2A	S8JX-G05012D	
		24V	2.1A	S82J-05024AD		24V	2.1A	S8JX-G05024D	
100W		5V	20A	S82J-10005AD	100W	5V	20A	S8JX-G10005D	
		12V	8.5A	S82J-10012AD		12V	8.5A	S8JX-G10012D	
		15V	7A	S82J-10015AD		15V	7A	S8VM-10015D	
		24V	4.5A	S82J-10024AD		24V	4.5A	S8JX-G10024D	
150W		24V	6.5A	S82J-15024AD	150W	24V	6.5A	S8JX-G15024D	

Configuration		Product discontinuation				Recommended replacement			
		Power Ratings	Output Voltage	Output current	Model	Power Ratings	Output Voltage	Output current	Model
Covered type	Front-mounting	10W	5V	2A	S82J-01005D	15W	5V	3A	S8JX-G01505C
			12V	1A	S82J-01012D		12V	1.3A	S8JX-G01512C
			15V	0.7A	S82J-01015D		15V	1A	S8JX-G01515C
			24V	0.5A	S82J-01024D		24V	0.65A	S8JX-G01524C
		25W	5V	5A	S82J-02505D	35W	5V	7A	S8JX-G03505C
			12V	2.1A	S82J-02512D		12V	3A	S8JX-G03512C
			15V	1.7A	S82J-02515D		15V	2.4A	S8JX-G03515C
			24V	1.1A	S82J-02524D		24V	1.5A	S8JX-G03524C
		50W	5V	10A	S82J-05005D	50W	5V	10A	S8JX-G05005C
			12V	4.2A	S82J-05012D		12V	4.2A	S8JX-G05012C
			24V	2.1A	S82J-05024D		24V	2.1A	S8JX-G05024C
		100W	5V	20A	S82J-10005D	100W	5V	20A	S8JX-G10005C
			12V	8.5A	S82J-10012D		12V	8.5A	S8JX-G10012C
			15V	7A	S82J-10015D		15V	7A	S8VM-10015C
			24V	4.5A	S82J-10024D		24V	4.5A	S8JX-G10024C
		150W	24V	6.5A	S82J-15024D	150W	24V	6.5A	S8JX-G15024C
	S82J-15024E								
	S82J-15024F								
	300W	24V	14A	S82J-30024	300W	24V	14A	S8JX-G30024C	
				S82J-30024N					
	600W	24V	27A	S82J-60024	600W	24V	27A	S8JX-G60024C	
				S82J-60024N					
	DIN Rail-mounting	10W	5V	2A	S82J-01005DD	15W	5V	3A	S8JX-G01505CD
			12V	1A	S82J-01012DD		12V	1.3A	S8JX-G01512CD
			15V	0.7A	S82J-01015DD		15V	1A	S8JX-G01515CD
			24V	0.5A	S82J-01024DD		24V	0.65A	S8JX-G01524CD
		25W	5V	5A	S82J-02505DD	35W	5V	7A	S8JX-G03505CD
			12V	2.1A	S82J-02512DD		12V	3A	S8JX-G03512CD
15V			1.7A	S82J-02515DD	15V		2.4A	S8JX-G03515CD	
24V			1.1A	S82J-02524DD	24V		1.5A	S8JX-G03524CD	
50W		5V	10A	S82J-05005DD	50W	5V	10A	S8JX-G05005CD	
		12V	4.2A	S82J-05012DD		12V	4.2A	S8JX-G05012CD	
		24V	2.1A	S82J-05024DD		24V	2.1A	S8JX-G05024CD	
100W		5V	20A	S82J-10005DD	100W	5V	20A	S8JX-G10005CD	
		12V	8.5A	S82J-10012DD		12V	8.5A	S8JX-G10012CD	
		15V	7A	S82J-10015DD		15V	7A	S8VM-10015CD	
		24V	4.5A	S82J-10024DD		24V	4.5A	S8JX-G10024CD	
150W		24V	6.5A	S82J-15024DD	150W	24V	6.5A	S8JX-G15024CD	

Dimensions and Mounting dimensions

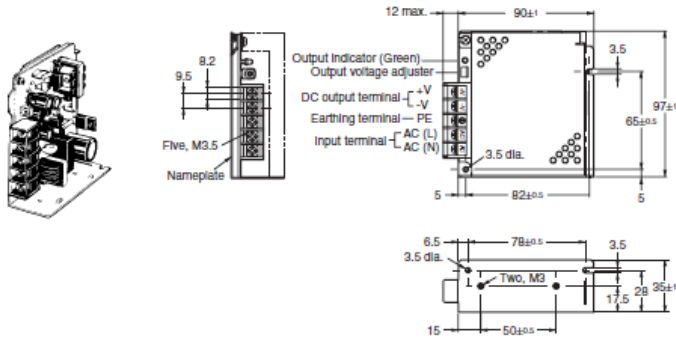
Product discontinuation

S82J series

<10W Model>

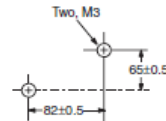
Front-mounting

S82J-010□□□ (10 W)

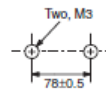


Mounting Holes (Surface Screw Mounting)

Side Mounting

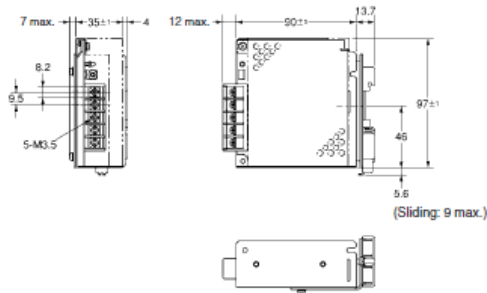


Bottom Mounting



DIN Rail-mounting

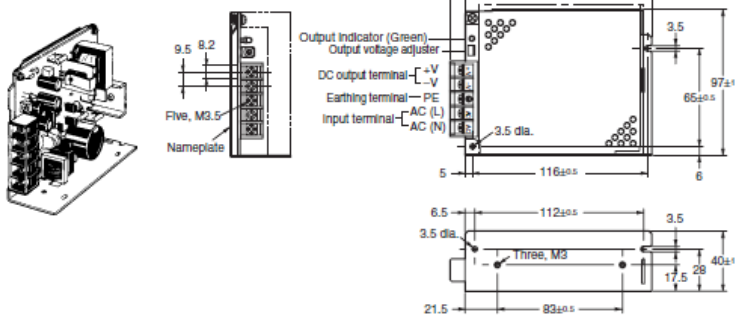
S82J-010□□□D (10 W)



<25W Model>

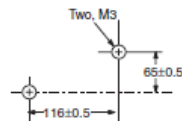
Front-mounting

S82J-025□□□ (25 W)

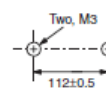


Mounting Holes (Surface Screw Mounting)

Side Mounting

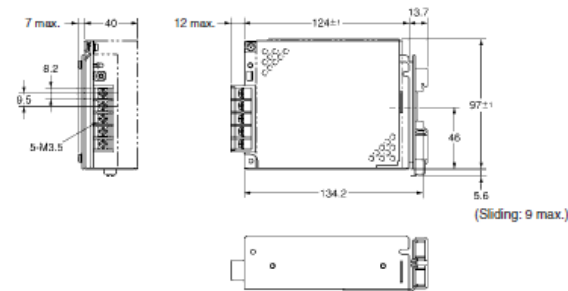


Bottom Mounting



DIN Rail-mounting

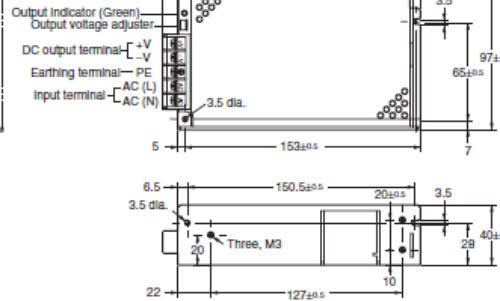
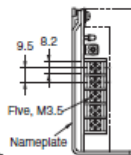
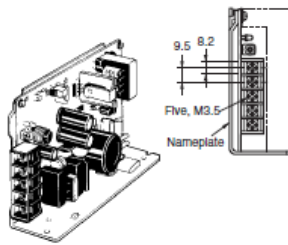
S82J-025□□□D (25 W)



<50W Model>

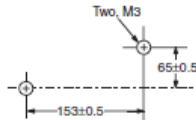
Front-mounting

S82J-050 (50 W)

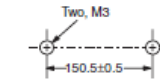


Mounting Holes (Surface Screw Mounting)

Side Mounting

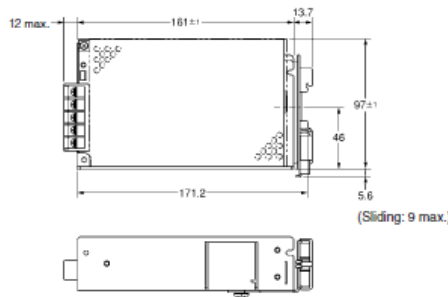
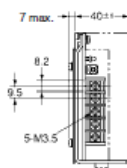
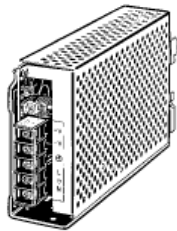


Bottom Mounting



DIN Rail-mounting

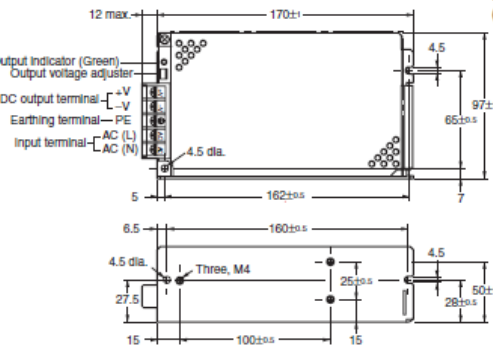
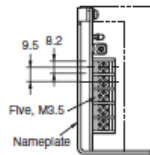
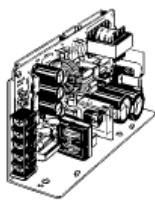
S82J-050 D (50 W)



<100W(24V) Model>

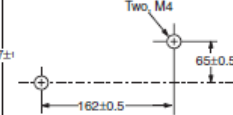
Front-mounting

S82J-10024 (100 W, 24-V Output)

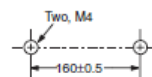


Mounting Holes (Surface Screw Mounting)

Side Mounting

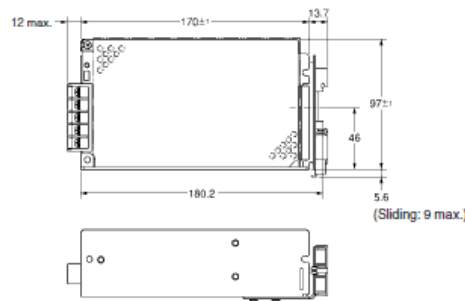
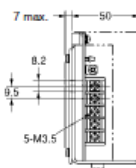


Bottom Mounting



DIN Rail-mounting

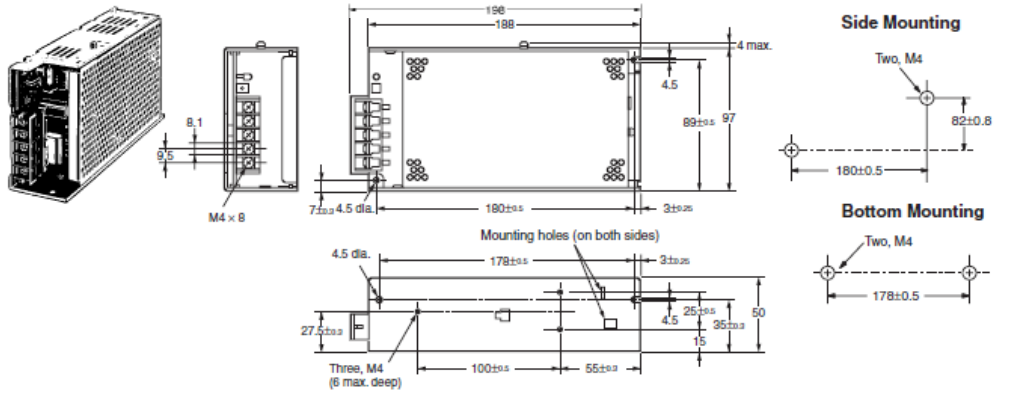
S82J-10024 D (100 W, 24-V Output)



<100W(5V,12V,15V),150W Models>

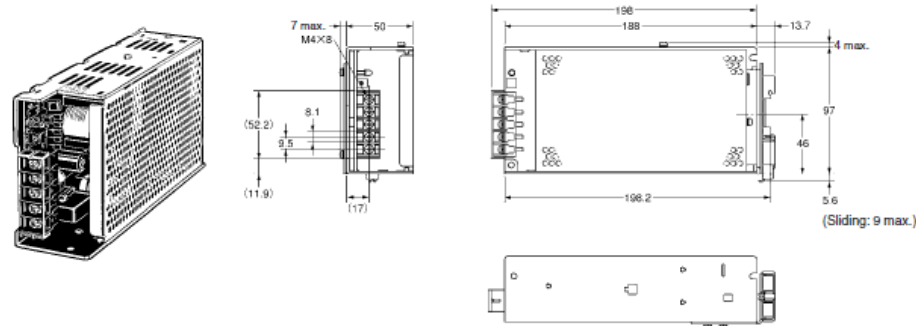
Front-mounting

S82J-100□□□
(100 W, 5-/12-/15-V Output)
S82J-15024□□ (150 W)



DIN Rail-mounting

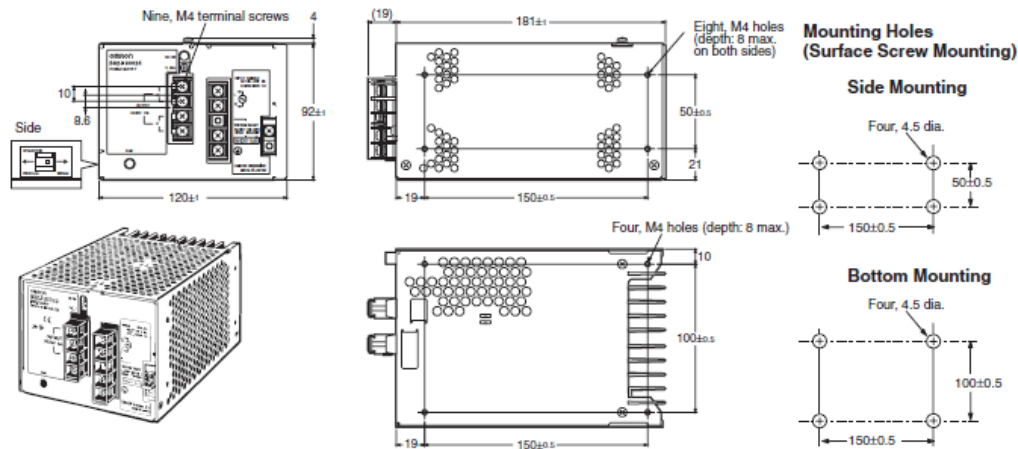
S82J-100□□□D (100 W, 5-/12-/15-V Output)
S82J-15024□□D (150 W)



<300W Model>

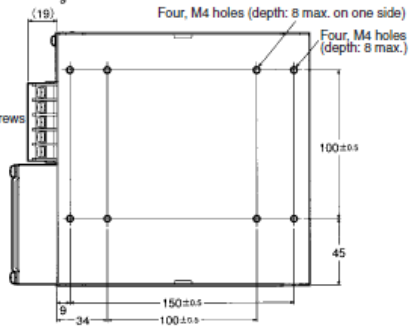
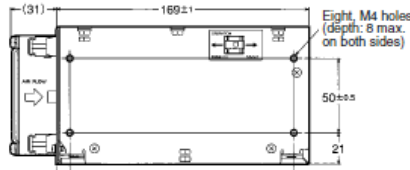
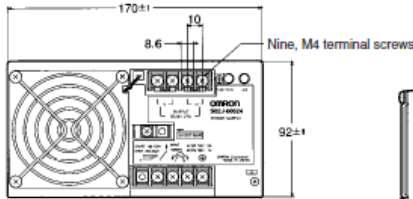
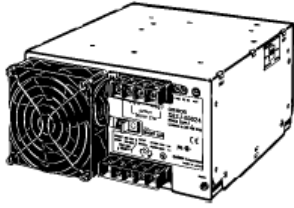
Front-mounting

S82J-30024□□ (300 W)



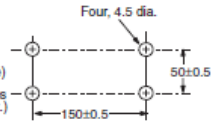
<600W Model>
Front-mounting

S82J-60024□ (600 W)

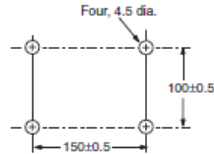


**Mounting Holes
 (Surface Screw Mounting)**

Side Mounting



Bottom Mounting



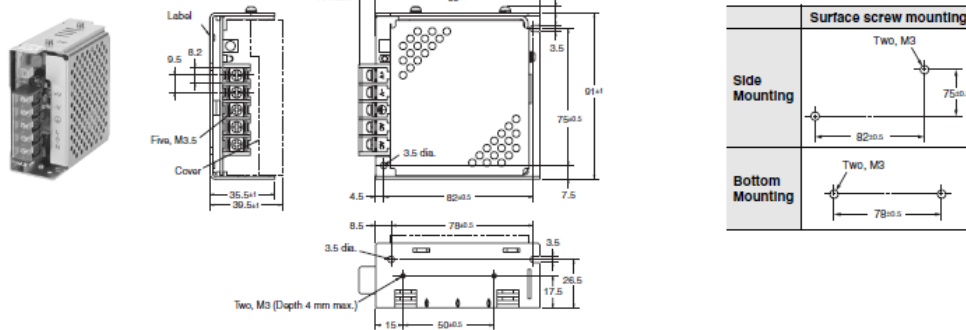
Recommended replacement

S8JX series

<10W,35W Models>

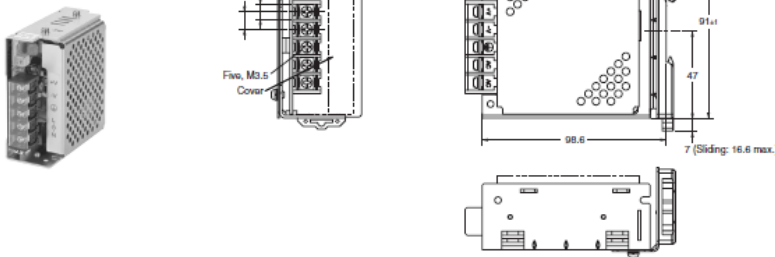
Front-mounting

- S8JX-G015□□ (15 W)
- S8JX-G015□□CD (15 W)
- S8JX-G035□□ (35 W)
- S8JX-G035□□CD (35 W)



DIN Rail-mounting

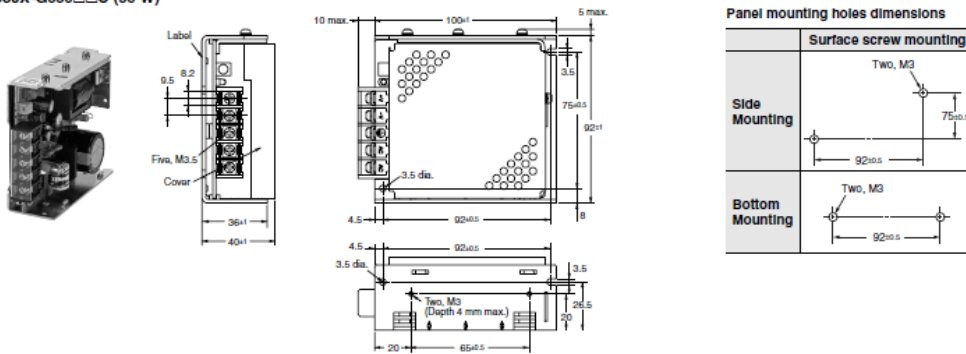
- S8JX-G015□□ (15 W)
- S8JX-G015□□CD (15 W)
- S8JX-G035□□ (35 W)
- S8JX-G035□□CD (35 W)



<50W Model>

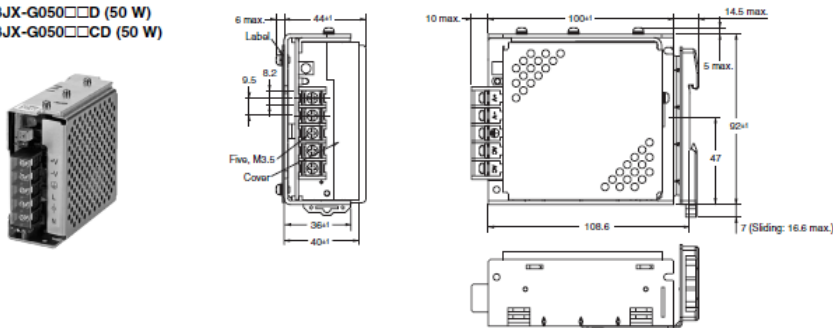
Front-mounting

- S8JX-G050□□ (50 W)
- S8JX-G050□□CD (50 W)



DIN Rail-mounting

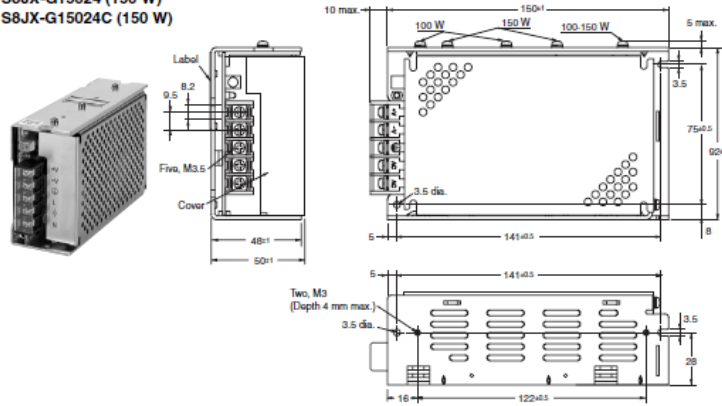
- S8JX-G050□□D (50 W)
- S8JX-G050□□CD (50 W)



<100W(5V,12V,24V),150W Models>

Front-mounting

- S8JX-G100□□ (100 W)
- S8JX-G100□□C (100 W)
- S8JX-G15024 (150 W)
- S8JX-G15024C (150 W)

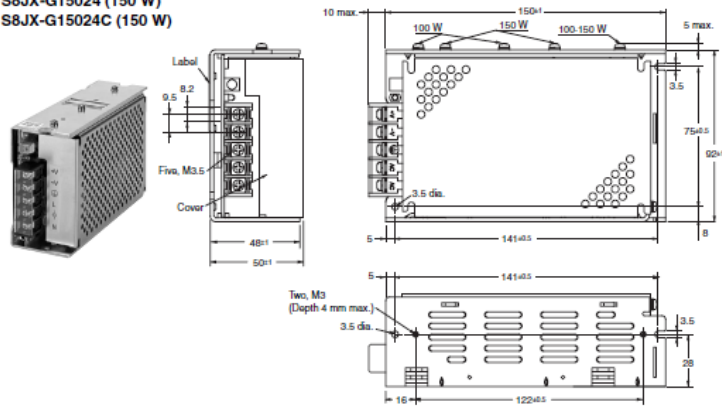


Panel mounting holes dimensions

Surface screw mounting	
Side Mounting	Two, M3
	75±0.5
141±0.5	
Bottom Mounting	Two, M3
141±0.5	

DIN Rail-mounting

- S8JX-G100□□ (100 W)
- S8JX-G100□□C (100 W)
- S8JX-G15024 (150 W)
- S8JX-G15024C (150 W)



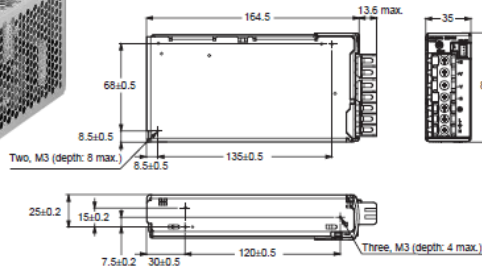
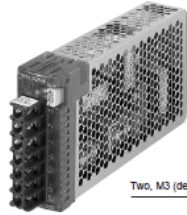
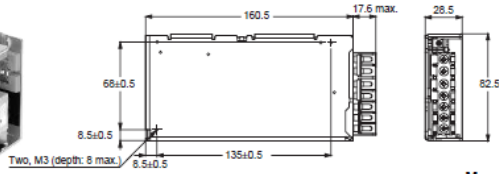
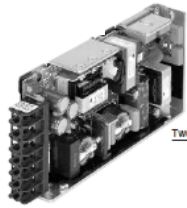
Panel mounting holes dimensions

Surface screw mounting	
Side Mounting	Two, M3
	75±0.5
141±0.5	
Bottom Mounting	Two, M3
141±0.5	

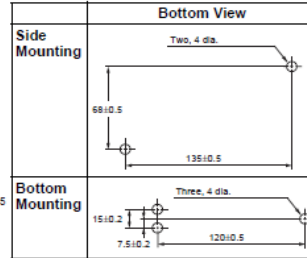
<100W(15V) Model>

Front-mounting

S8VM-100□□
S8VM-100□□C

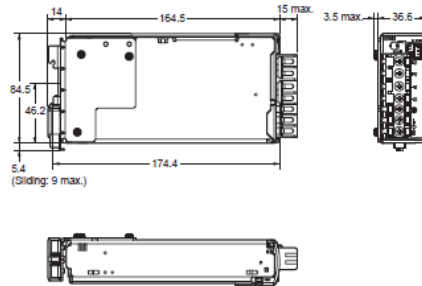
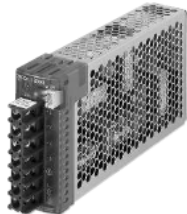
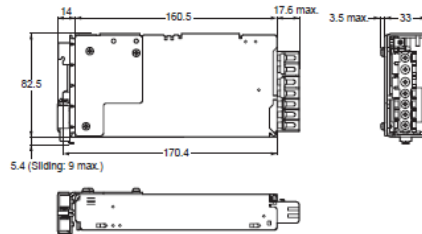
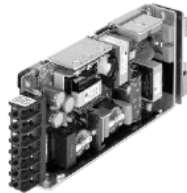


Mounting Holes



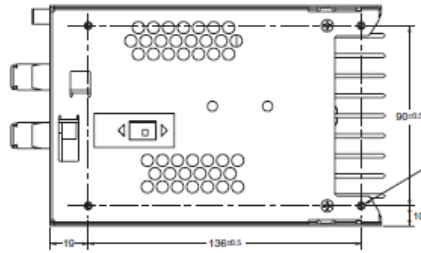
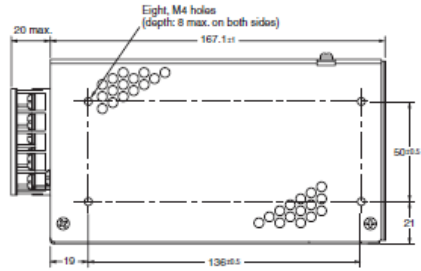
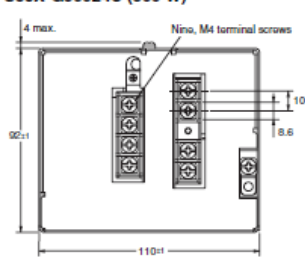
DIN Rail-mounting

S8VM-100□□D
S8VM-100□□CD



**<300W Model>
Front-mounting**

S8JX-G30024C (300 W)

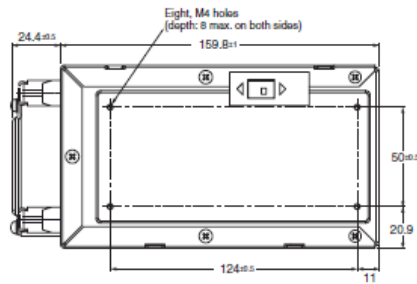
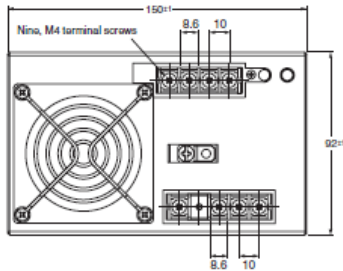


Panel mounting holes dimensions

Surface screw mounting	
Side Mounting	Four, 4.5 dia.
	50±0.5
Bottom Mounting	Four, 4.5 dia.
	90±0.5

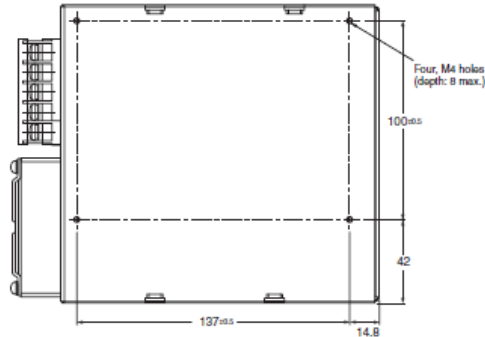
**<600W Model>
Front-mounting**

S8JX-G60024C (600 W)



Panel mounting holes dimensions

Surface screw mounting	
Side Mounting	Four, 4.5 dia.
	50±0.5
Bottom Mounting	Four, 4.5 dia.
	100±0.5

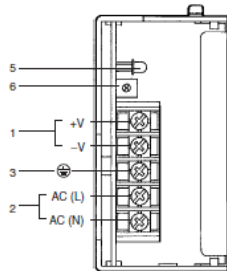


Product discontinuation

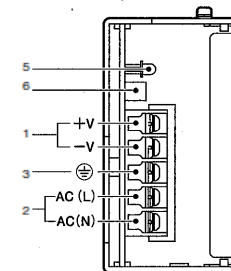
S82J series

<10W,25W,50W,100W,150W Models> Top terminal model and connector model are 150W only.

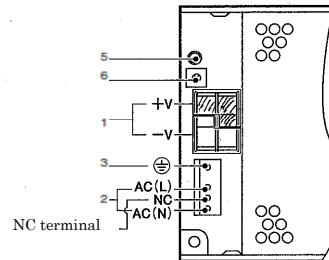
Front terminal model



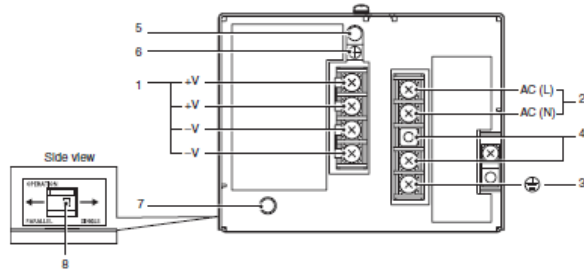
Top terminal model



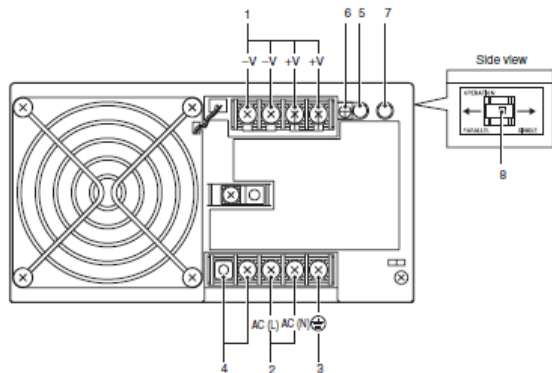
Connector model



<300W Model>



<600W Model>

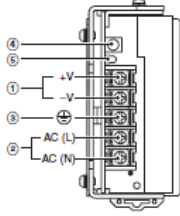


1. **DC Output Terminals:** Connect the load lines to these terminals.
 2. **AC Input Terminals:** Connect the input lines to these terminals.
- Note:** 1. The fuse is located on the (L) side. It is NOT user replaceable.
 2. For DC input (10-W, 25-W models), use the (L) terminal as the positive terminal.
3. **PE Terminal/Protective earthing terminal:** Connect the ground line to this terminal.
 4. **Input Voltage Selector Terminals:** Short-circuit the terminals if the input is 100 to 120 VAC and open the terminals if the input is 200 to 230 VAC
 5. **Output Indicator (DC ON: Green):** Lights while a Direct Current (DC) output is ON.
 6. **Output Voltage Adjuster (V.ADJ):** It is possible to increase or decrease the output voltage by 10%.
 7. **Protection-ON Alarm Indicator (DC ON: Red):** The red indicator will be lit if the overvoltage (for a 300-/600-W model) or overheat protection (for a 600-W model) circuit is triggered. This indicator will also be lit when overcurrent (for a 600-W model) is detected.
 8. **Parallel/Single Operation Selector:** Set the selector to PARALLEL if the Units are in parallel operation.

Recommended replacement

S8JX series

<15W,30W,50W,100W(5V,12V,24V),150W Models>

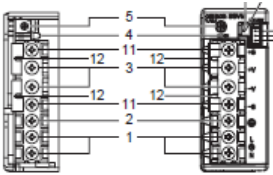


No.	Name	Function
1	DC Output Terminals (-V), (+V)	Connect the load lines to these terminals.
2	AC Input Terminals (L), (N)	Connect the input lines to these terminals. #1
3	Protective Earth Terminal (PE) (⊕)	Connect the ground line to these terminals. #2
4	Output Voltage Adjuster (V. ADJ)	Use to adjust the voltage.
5	Output Indicator (DC ON: Green)	Lights green while a direct current (DC) output is ON.

*1. The fuse is located on the (L) side. It is NOT user-replaceable.
*2. This is the protective earth terminal specified in the safety standards. Always ground this terminal.

<100W(15V) Model>

S8VM-10015□□



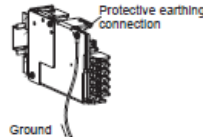
No.	Name	Function
1	AC input terminals (L), (N)	Connect the input lines to these terminals. (See note 1.)
2	PE terminal: Protective earthing terminal (S8VM-□□□□□C□/S8VM-□□□□□A□/ S8VM-□□□□□P□) FG terminal: Frame ground terminal (S8VM-□□□□□/ S8VM-□□□□□D)	Connect the ground line to this terminal. (See note 2.)
3	DC output terminals (-V), (+V)	Connect the load lines to these terminals.
4	Output indicator (DC ON: Green)	Lights (green) while a direct current (DC) output is ON.
5	Output voltage adjuster (V. ADJ)	Use to adjust the voltage.
11	Remote sensing terminals (See note 5.)	Correct the voltage drop in the load lines.
12	Short bars (See note 5.)	---

Note: 1. The fuse is located on the (L) side. It is NOT user-replaceable.

2. If mounting is performed using a DIN Rail, the protective earthing connection is the panel mounting hole shown in the figure below.

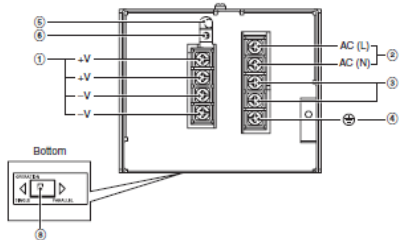
(A protective earthing connection stipulated in safety standards is used. Connect the ground completely (S8VM-□□□□□D only)).

Ground terminal: M3 (Depth: 8 mm max.)/Ground wire: AWG 18



5. When not using the remote sensing function, leave the short bar in the same state as when shipped.

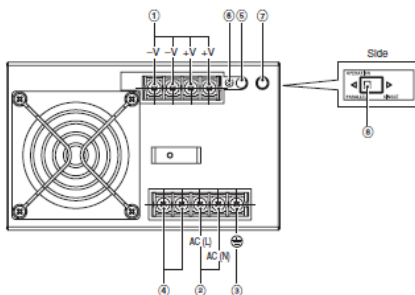
<300W model>



No.	Name	Function
1	DC Output Terminals (+V), (-V)	Connect the load lines to these terminals.
2	AC Input Terminals (L), (N)	Connect the input lines to these terminals. #1
3	Protective Earthing Terminal (⊕)	Connect the ground line to these terminals. #2
4	Input Voltage Selector Terminals	Short-circuit the terminals if the input is 100 to 120 VAC and open the terminals if the input is 200 to 230 VAC.
5	Output Indicator (DC ON: Green)	Lights while a Direct Current (DC) output is ON.
6	Output Voltage Adjuster (V. ADJ)	It is possible to increase or decrease the output voltage.
7	Protection-ON Alarm Indicator (DC ON: Red)	The red indicator will be lit if the overvoltage (for a 600-W model) or overheat protection (for a 600-W model) circuit is triggered. This indicator will also be lit when overload (for a 600-W model) is detected.
8	Selector of Parallel Operation	Set the selector to PARALLEL if the Units are in parallel operation.

*1. The fuse is located on the (L) side. It is NOT user-replaceable.
*2. This is the protective earth terminal specified in the safety standards. Always ground this terminal.

<600W model>



Characteristics

	Product discontinuation S82J series	Recommended replacement S8JX series
Input voltage	10W,25W,50W,100W(24V) models 100 to 240 VAC (85 to 264 VAC) (free) 110 to 170 VDC (10W,25W only) 100W(5V,12V,15V),150W models 100 to 120 VAC (85 to 132 VAC) / 200 to 240 VAC (170 to 264 VAC) (selected automatically) 300W,600W models 100 to 120 VAC (85 to 132 VAC) / 200 to 230 VAC (170 to 253 VAC) (selectable)	15W,30W,50W,100W(5V,12V,24V),150W models 100 to 240 VAC (85 to 264 VAC) (free) 100 to 370 VDC 100W(15V) model (S8VM-10015□□) 100 to 240 VAC (85 to 264 VAC) (free) 300W,600W models 100 to 120 VAC (85 to 132 VAC) / 200 to 240 VAC (170 to 264 VAC) (selectable)
Inrush current	10W,25W,50W,100W,150W,300W models 25 A max. (100V input) 50 A max. (200V input) 600W model 30 A max. (100V input) 60 A max. (200V input) *for cold start at 25 °C	15W,30W,50W,100W(5V,12V,24V),150W models 20 A max. (100V input) 40 A max. (200V input) 100W(15V) model (S8VM-10015□□) 17.5 A max. (100V input) 35 A max. (200V input) 300W model 25 A max. (100V input) 50 A max. (200V input) 600W model 30 A max. (100V input) 60 A max. (200V input) *for cold start at 25 °C
Startup time	10W,25W,50W,100W,150W models 500ms max. 300W,600W models 300ms max.	15W,30W,50W,100W(5V,12V,24V),150W,600W models 500ms max. 100W(15V) model (S8VM-10015□□) 800ms max. 300W model 650ms max.
Hold time	All models 20ms min.	15W,30W,50W,100W(5V,12V,24V),150W,300W,600W models 20ms min. 100W(15V) model (S8VM-10015□□) 20ms typ. (15ms min.)
Overload protection	10W,25W models 105 to 160% of rated load current, voltage/current drop, intermittent, automatic reset 50W,100W(24V) models 105 to 160% of rated load current, gradual current increase, voltage drop, intermittent, automatic reset 100W(5V,12V,15V),150W,300W models 105% of rated load current, inverted L voltage drop, automatic reset 600W model 105% of rated load current, inverted L voltage drop, automatic reset (The circuit will be shut OFF when the overload exceeds 5 s.)	15W,30W,50W,100W(5V,12V,24V),150W models 105 to 160% of rated load current, voltage drop, intermittent, automatic reset 100W(15V) model (S8VM-10015□□) 105 to 160% of rated load current, voltage drop, automatic reset 300W model 105% of rated load current, voltage drop, intermittent, automatic reset 600W model 105% of rated load current, inverted L voltage drop, automatic reset (The circuit will be shut OFF when the overload exceeds 5 s.)

Parallel operation	10W,25W,50W,100W,150W models No 300W,600W models Yes (up to 5 units)	15W,30W,50W,100W,150W models No 300W,600W models Yes (up to 5 units)
Cooling method	10W,25W,50W,100W,150W,300W models Natural air-cooling 600W model Forced air-cooling by a built-in fan (Blow off from the back)	15W,30W,50W,100W,150W,300W models Natural air-cooling 600W model Forced air-cooling by a built-in fan (Blow off from the back)

Attachments and Option

Following attachments and option will be end of life due to S82J series discontinuation.

Attachment:

Front-mounting bracket: 100W(5V,12V,15V),150W models

Option:

Replacement Fan: S82Y-JFAN (for 600W model)