

NO: SD-048
DATE: September 2006

PRODUCT: S8E3 Power Supplies
TYPE: Discontinuation Notice

S8E3 Power Supplies will be Discontinued March 31, 2007; Use a Combination of S8VM and S82R Models Instead

Omron will discontinue all models of the 3-channel S8E3 power supplies, including enclosed and open frame versions with front, top or PCB connector terminals. A combination of S8VM (1-channel) and S82R (2-channel) power supplies are suggested as replacements. There replacement solution has important differences, so be sure to work closely with customers to ensure a smooth transition.



- One S8E3 (3-channel) power supply is replaced with a combination of S8VM (1-channel) and S82R (2-channel) models.
- Dimensions and Mounting dimensions are changed.
- PCB types are not available for replacements.
- Top terminal types and Connector types are not available for replacements.

Discontinued Parts and Suggested Replacements

Model to be discontinued				Recommended replacement	
Output	Open-frame type Front terminals	Open-frame type Top terminals	Open-frame type Connector	Output No.	Open-frame type Front terminals
30W	S8E3-03031A	S8E3-03031B	S8E3-03031C	V1	S8VM-01505 (15W)
				V2/V3	S82R-0327 (30W)
	S8E3-03032A	S8E3-03032B	S8E3-03032C	V1	S8VM-01505 (15W)
				V2/V3	S82R-0328 (30W)
50W	S8E3-05031A	S8E3-05031B	S8E3-05031C	V1	S8VM-03005 (30W)
				V2/V3	S82R-0327 (30W)
	S8E3-05032A	S8E3-05032B	S8E3-05032C	V1	S8VM-03005 (30W)
				V2/V3	S82R-0328 (30W)

Model to be discontinued				Recommended replacement	
Output	Covered-type Front terminals	Covered-type Top terminals	Covered-type Connector	Output No.	Covered-type Front terminals
30W	S8E3-03031D	S8E3-03031E	S8E3-03031F	V1	S8VM-01505C (15W)
				V2/V3	S82R-5327 (30W)
	S8E3-03032D	S8E3-03032E	S8E3-03032F	V1	S8VM-01505C (15W)
				V2/V3	S82R-5328 (30W)
50W	S8E3-05031D	S8E3-05031E	S8E3-05031F	V1	S8VM-03005C (30W)
				V2/V3	S82R-5327 (30W)
	S8E3-05032D	S8E3-05032E	S8E3-05032F	V1	S8VM-03005C (30W)
				V2/V3	S82R-5328 (30W)

Detailed Comparison

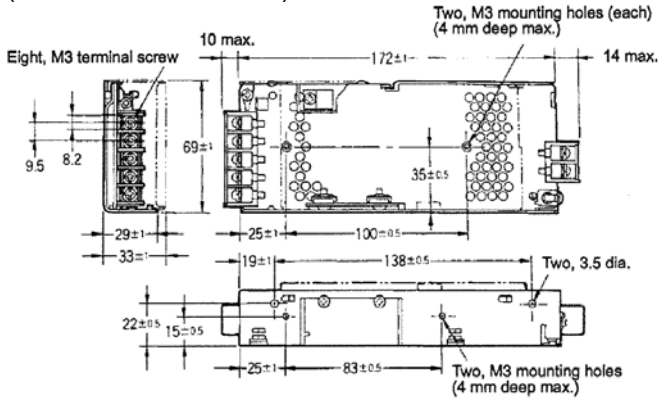
Dimensions/Mounting Dimensions

S8E3 Discontinued Models

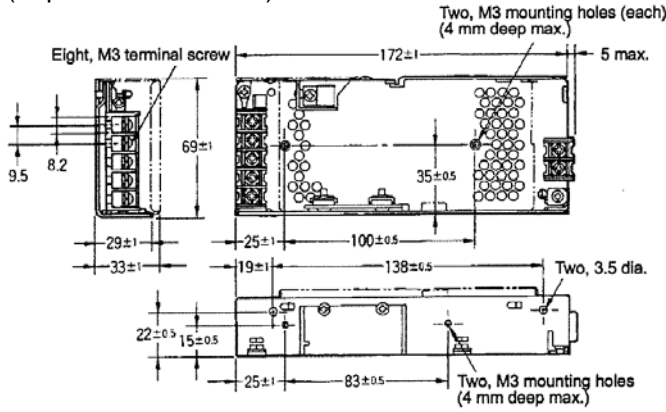
S8E3-030□□□ (30W models)

Note: Open-frame types and Covered-types have the same dimensions.

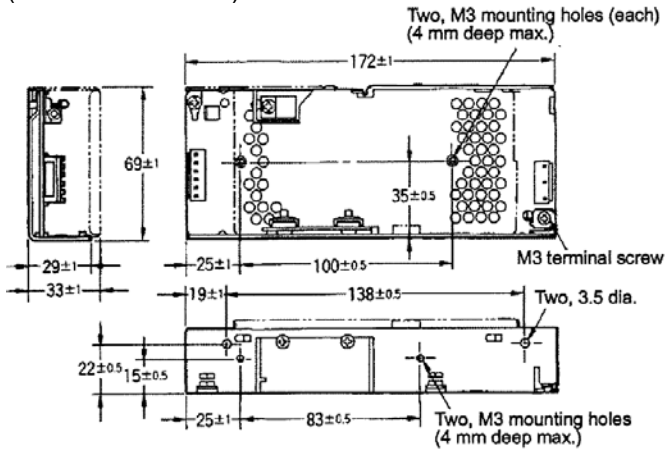
(Front Terminal Models)



(Top Terminal Models)



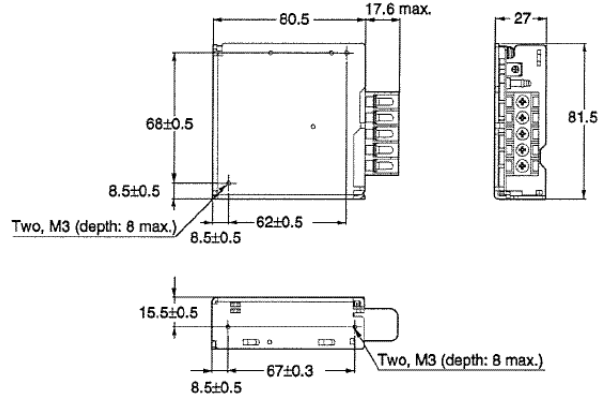
(Connector Models)



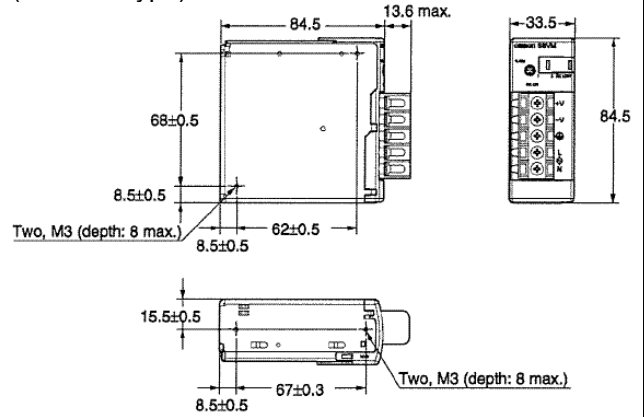
S8VM + S82R Suggested Replacements

S8VM-015□□□ (15W models)

(Open-frame type)

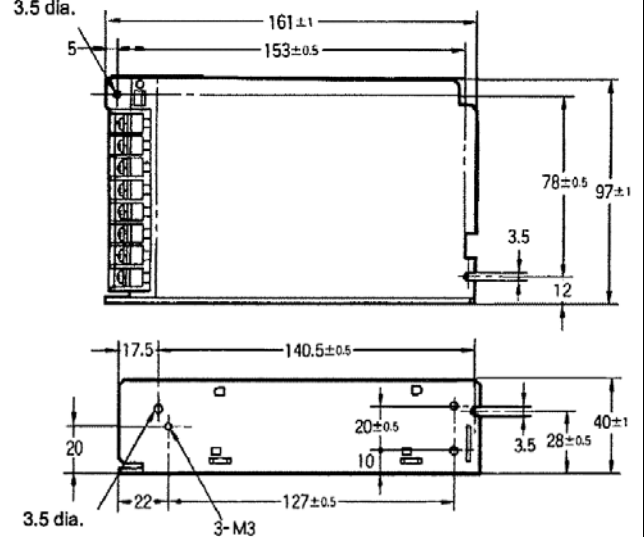


(Covered type)



S82R-□30□□□ (30W models)

Note: Open-frame types and Covered-types have the same dimensions.

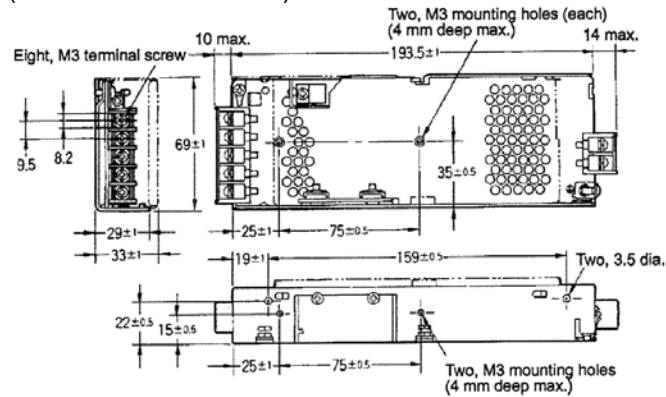


S8E3 Discontinued Models

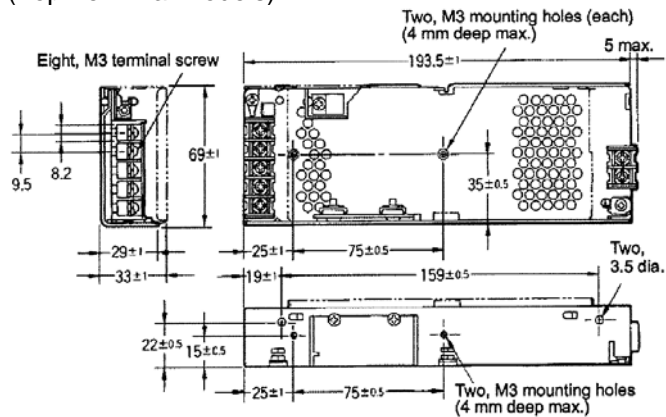
S8E3-05□□□□ (50W models)

Note: Open-frame types and Covered-types have the same dimensions.

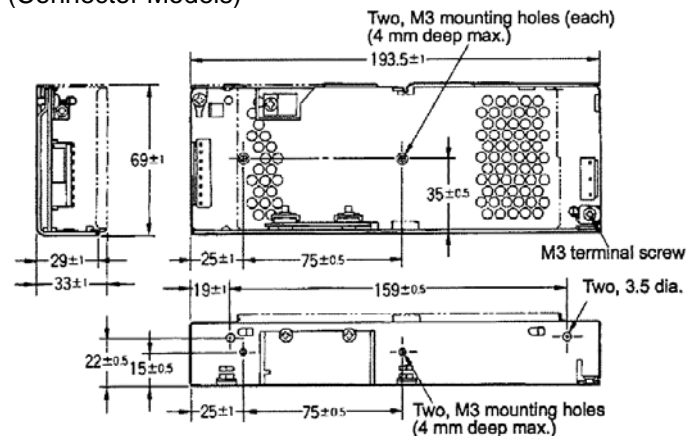
(Front Terminal Models)



(Top Terminal Models)



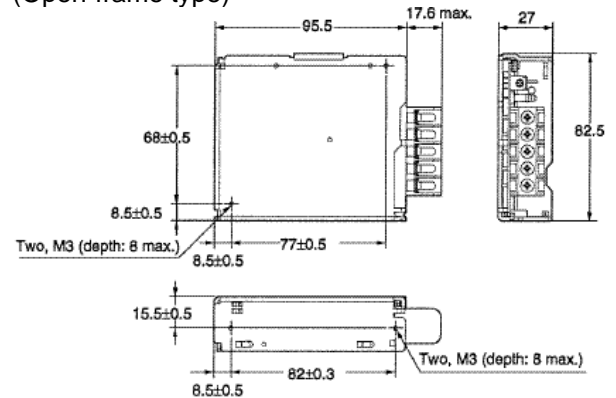
(Connector Models)



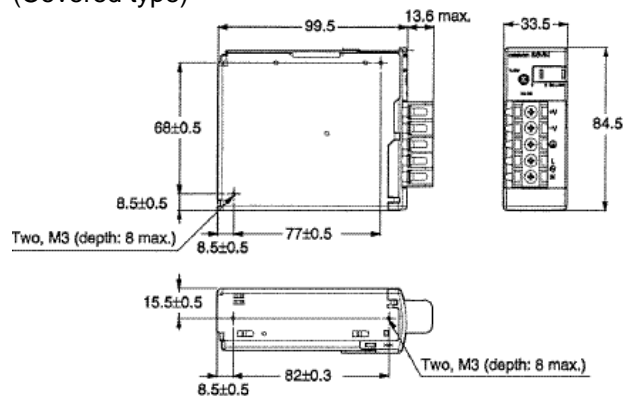
S8VM + S82R Suggested Replacements

S8VM-030□□□□ (30W models)

(Open-frame type)

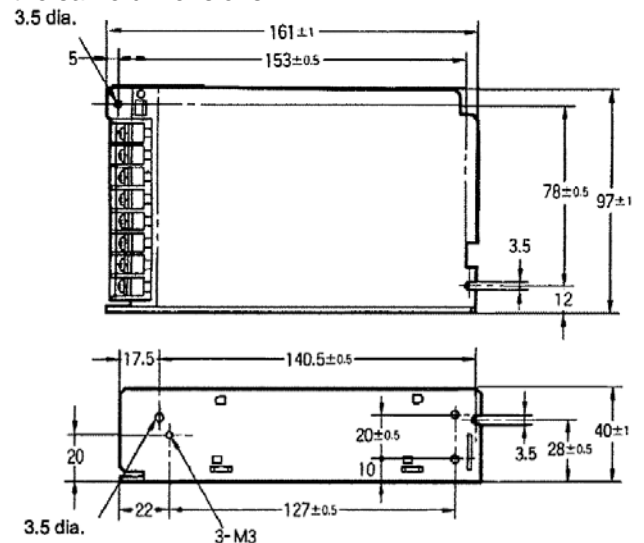


(Covered type)



S82R-□30□□□> (30W models)

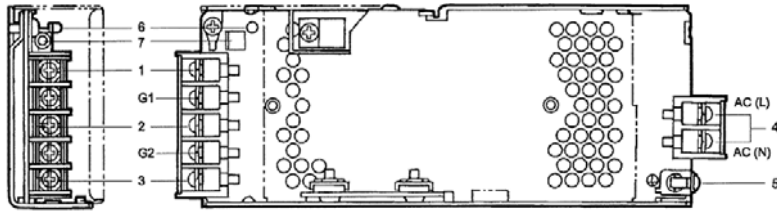
Note: Open-frame types and Covered-types have the same dimensions.



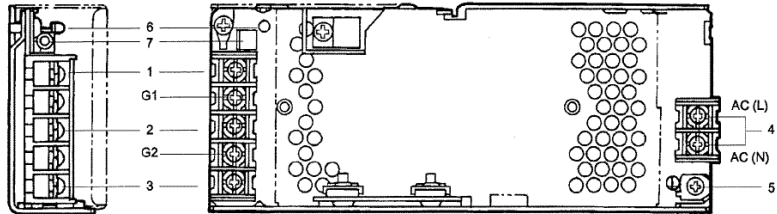
Terminal Arrangement/Wiring Connection

S8E3 Discontinued Models

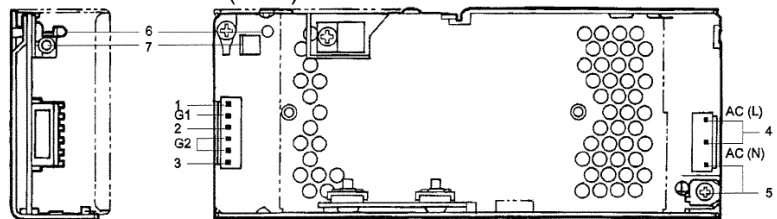
Front Terminal Models (30/50W)



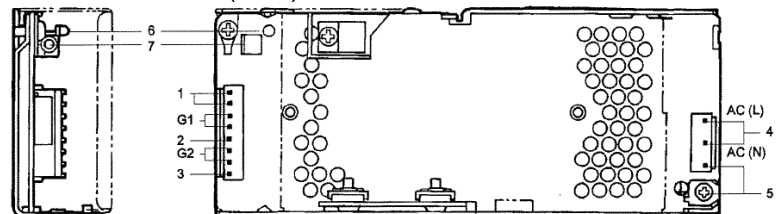
Top Terminal models (30/50W)



Connector models (30W)



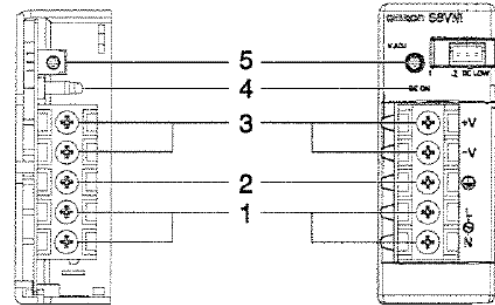
Connector models (50W)



1. V1 } DC output terminals: Connect the load lines
2. V2 } to these terminals
3. V3 }
4. AC input terminals (L), (N): Connect the input lines to these terminals.
5. Ground Terminal (GR): This terminal is short-circuited to the frame and must be connected to a ground line.
6. Output indicator (DC ON): Lights (green) while a Direct Current (DC) output is ON.
7. Output voltage adjuster (V.ADJ): Only 5V output voltage can be adjusted with this adjuster.

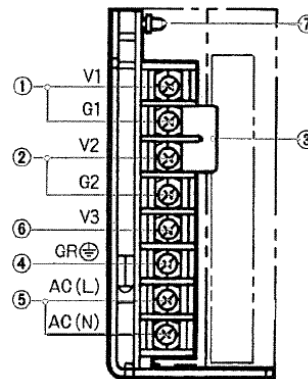
S8VM + S82R Suggested Replacements

S8VM series



1. AC input terminals (L), (N): Connect the input lines to these terminals.
2. Protective Earth terminal (S8VM-□□□□□□C/A□) FG terminal (S8VM-□□□□□□/D): Connect the ground line to this terminal.
3. DC output terminals (-V), (+V): Connect the load lines to these terminals
4. Output indicator (DC ON: Green): Lights (green) while a Direct Current (DC) output is ON.
5. Output voltage adjuster (V.ADJ): Use to adjust the voltage.

S82R series



1. V1 (+), G1 (-) } DC output terminals: Connect the
2. V2 (+), G2 (-) } load lines to these terminals.
3. Short bar: Provided to make ± outputs. Without it V1 and V2 outputs can be used as independent outputs. (Supplied only for S82R-□□□27 and S82R-□□ as an accessory.)
4. Ground Terminal (GR): This terminal is short-circuited to the frame and must be connected to a ground line.
5. AC input terminals (L), (N): Connect the input lines to these terminals.
6. V3 terminal: Unused
7. Output indicator (DC ON): Lights (green) while a Direct Current (DC) output is ON.

Characteristics

Item	S8E3 discontinued model	S8VM + S82R suggested replacements
Supply Voltage	Common to all models: 100VAC	S8VM: 100 to 240 VAC S82R : 100 VAC
Inrush current	Common to all models: 25A (100VAC) max. Note: 25°C, Cold start	S8VM: 17.5A max. S82R : 30A max. Note: 25°C, Cold start
Output	30W V1: 15W V2: 15W V3: 5W	V1: 15W (S8VM-15W) V2: 15W } (S82R-30W) V3: 10W
	50W V1: 25W V2: 18W V3: 8W	V1: 30W (S8VM-30W) V2: 20W } (S82R-30W) V3: 10W
Startup time	100 ms max.	V1: 1100 ms max. V2, V3: 200 ms max.
Hold time	20 ms min.	V1: 15 ms min. V2, V3: 20 ms min.
Overload protection	V1: 105% min. of rated load current, trailing, automatic reset V2: short-circuit protection, automatic reset V3: short-circuit protection, automatic reset	V1: 105% to 160% of rated load current, voltage drop, intermittent, automatic reset V2: 105% min. of rated load current, trailing, automatic reset V3: short-circuit protection, automatic reset
Overvoltage protection	Common to all models: No	V1: Yes V2: No V3: No
Conducted emission	Conforms to FCC Class B, VCCI 2nd category	S8VM: Conforms to EN61204-3 Class B based on FCC Class B S82R: Conforms to FCC Class A
Output indicator	Yes (Color: green)	S8VM: Yes (Color: green) S82R: Yes (Color: red)

Accessories (ordered separately)

S8E3 discontinued model	S8VM + S82R suggested replacement
No	--