

15-115 Watts LINEARS

ACV/ATV Series



Special Features

- 100% burn-in
- 100% vacuum varnish
- Impregnated transformer
- Cross references with other manufacturers
- Installation instructions/ specification sheet with each unit
- World wide AC input voltage taps
- Built in OVP on 5V output

Options:

Overvoltage protection: SCR crowbar module, 6.2 to 34 V

Environmental & Safety

Operating temperature:

0°C to 50°C (derate at 40% at 70°C)

Storage temperature: -55°C to +85°C

Temperature coefficient:

±0.01% per degree Celsius, typical

Cooling: Natural convection

Safety

TUV EN60950 (IEC950)

UL UL1950

CSA CSA22.2 950-M89

CSA22.2 234-M90

CE Mark

Designed to meet UL544 specifications.

Total Power: 15-115 Watts
Input Voltages: 100-240 VAC
No. of Outputs: 1-3

Electrical Specs

Input

AC nominal	100/120/220/230/240 VAC field selectable
Frequency	47 - 63 Hz(single phase). Derate 10% for 50Hz.
Efficiency	Up to 60%; 40% typical
Fusing	External; see chart

Output

Line regulation	0.05% for 10% line change (entire operating range)
Load regulation	0.05% for 50% load change
Voltage adjust	± 5% min. all outputs
Ripple	RMS: 2 mV, P-P: 3 mV
Stability	0.05 % for 24 hours after warm-up
Overshoot	None
Transient response	50 μsec at 50% load changes
EMI-filter	FCC-Class B & VDE0871 Level B
Remote sense	Up to 0.5 V-total cable drop; all singles, some multiples
Overload protection	Current foldback with automatic recovery
Overvoltage protection	Standard on all 5V output; factory set at 6.2±0.4V. Other outputs use optional A-OVP-1
Leakage current	Less than 50 μA
Shock.	MIL STD 810C, 516.2 V, 24"
Vibration	MIL STD 810C, 514.2, X AW

AMERICAS

5810 Van Allen Way
 Carlsbad, CA 92008
 Telephone: 760-930-4600
 Facsimile: 760-930-0698

EUROPE

Astec House, Waterfront Business Park
 Merry Hill, Dudley
 West Midlands, DY5 1LX, UK
 Telephone: 44 (1384) 842-211
 Facsimile: 44 (1384) 843-355

ASIA

Units 2111-2116, Level 21
 Tower1, Metroplaza
 223, Hing Fong Road
 Fwal Fong, New Territories
 Hong Kong
 Telephone: 852-2437-9662
 Facsimile: 852-2402-4426



Ordering Information

Nominal Output Voltage	Adj. Range ± V	Max Current 50°C	Case Size	Model Number
Single Output				
5 V	0.25	3.0 A	A	ACV5N3-1
5 V	0.25	6.0 A	B	ACV5N6-1
5 V	0.25	9.0 A	C	ACV5N9-1
5 V	0.25	12.0 A	D	ACV5N12-1
12 V	0.60	1.7 A	A	ACV12N1.7
12 V	0.60	3.4 A	B	ACV12N3.4
12 V	0.60	5.0 A	C	ACV12N5
12 V	0.60	6.8 A	D	ACV12N6.8
15 V	0.75	1.5 A	A	ACV15N1.5
15 V	0.75	3.0 A	B	ACV15N3
15 V	0.75	4.5 A	C	ACV15N4.5
15 V	0.75	6.0 A	D	ACV15N6
24 V	1.20	1.2 A	A	ACV24N1.2
24 V	1.20	2.4 A	B	ACV24N2.4
24 V	1.20	3.6 A	C	ACV24N3.6
24 V	1.20	4.8 A	D	ACV24N4.8

Dual Output

+5 V ^{1,2}	0.25	3.0 A	C	ACV101
+12 to +15 V ¹	0.60	1.5 to 1.2A		
+5 V ^{1,2}	0.25	6.0 A	D	ACV103
+12 V ^{1,2}	0.60	3.4 A		
± 12 V	0.60	1.0 A	DA	ACV12D1
± 12 V	0.60	1.7 A	DB	ACV12D1.7
± 12 V ^{1,2}	0.60	3.4 A	D	ACV12D3.4
± 15 V	0.75	0.8 A	DA	ACV15D0.8
± 15 V	0.75	1.5 A	DB	ACV15D1.5
± 15 V ^{1,2}	0.75	3.0 A	D	ACV15D3.0

Triple Output

5 V ^{1,2}	0.25	2.0 A		
12 to 15 V ¹	0.60	0.4 to 0.32A	DA	ATV251
12 to 15V ¹	0.60	0.4 to 0.32A		
5 V ^{1,2}	0.25	3.0 A		
+12 to +15 V	0.60	1.0 to 0.8A	TB	ATV351
-12 to -15 V	0.60	1.0 to 0.8A		
5 V ²	0.25	6.0 A		
+12 to +15 V ²	0.60	1.0 to 0.8A	D	ATV401
-12 to -15 V ²	0.60	1.0 to 0.8A		
5 V ^{1,2}	0.25	6.0 A		
+12 to +15 V	0.60	1.8 to 1.4A	TC	ATV451
-12 to -15 V	0.60	1.8 to 1.4A		
5 V ^{1,2}	0.25	9.0 A		
+12 to +15 V	0.60	1.8 to 1.4A	TE	ATV551
-12 to -15 V	0.60	1.8 to 1.4A		
5 V	0.25	3.0 A		
-5	1.20	0.5 A	TC	ATV101
+24 ¹	1.20	3.0 A		

¹ Isolated output.
² With remote sense.

Option	Model
Universal Overvoltage Protection Module	A-OVP-1

Recommended Trigger Voltages for OVP Module

Power Supply Output Voltage	Suggested OVP Trigger Voltage
5	6.2
12	14
15	17
24	27
DUAL ±12	27
DUAL ±15	33

AC-Input Transformer Tap Connection

Input Voltage	Connect	Power to
100V	1-3 / 2-4	1 & 5
120V	1-3 / 2-4	1 & 4
220V	2-3	1 & 5
230V	2-3	1 & 4
240V	2-3	1 & 4

Suggested External Fuses

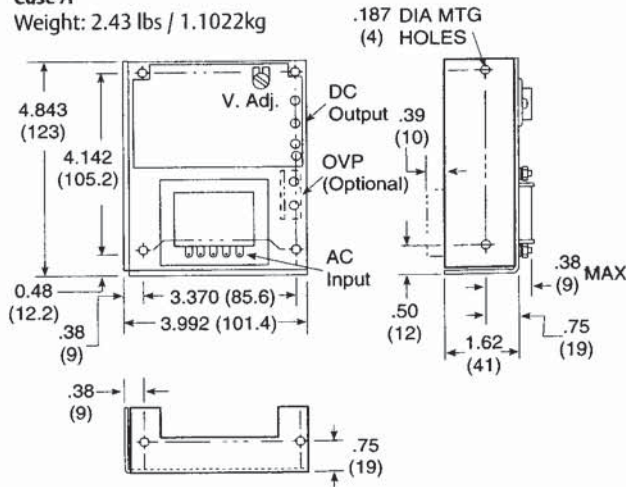
Case	115 VAC	230 VAC
A	1 A	0.5 A
B	1.5 A	0.75 A
C	2 A	1 A
D	3 A	1.5 A
DA	1 A	0.5 A
DB	1.5 A	0.75 A
TB	2 A	1 A
TC	2 A	1 A
TE	3 A	1.5 A

DRAWINGS

LINEARS 15-115 watts
ACV / ATV

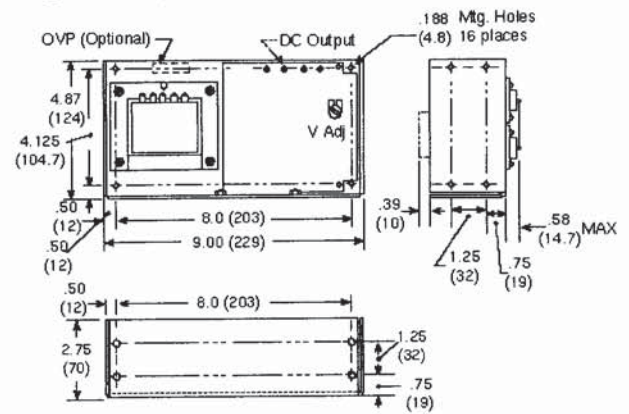
Case A

Weight: 2.43 lbs / 1.1022kg



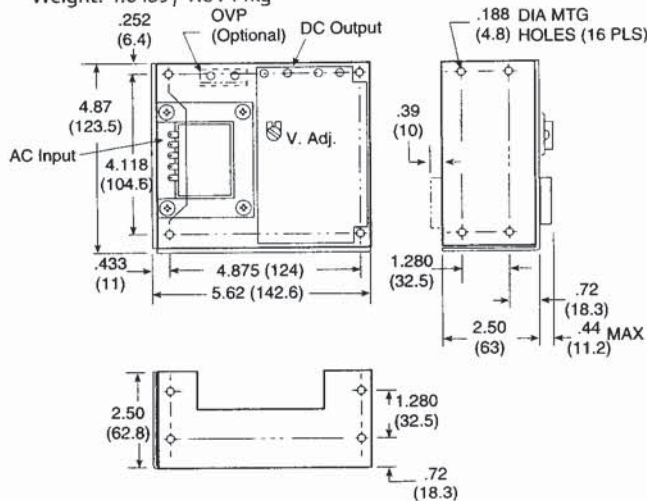
Case D

Weight: 7.5 lbs / 3.4019kg



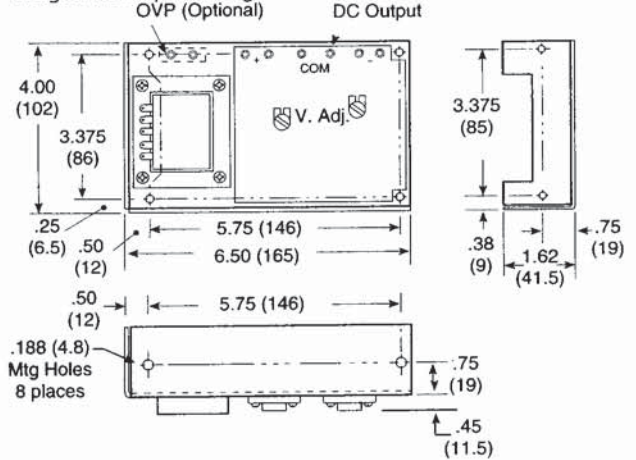
Case B

Weight: 4.0 lbs / 1.8144kg



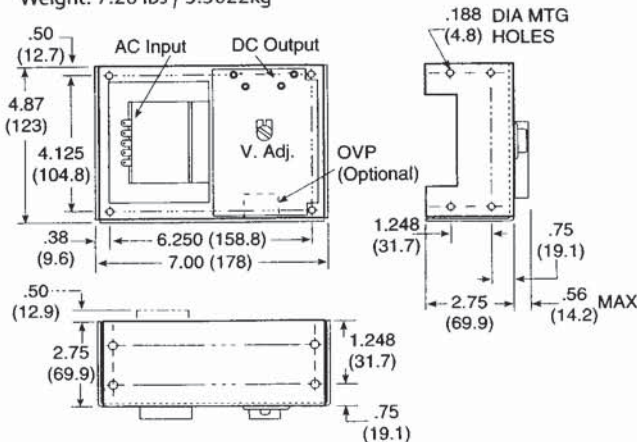
Case DA

Weight: 2.2 lbs / 0.9979kg



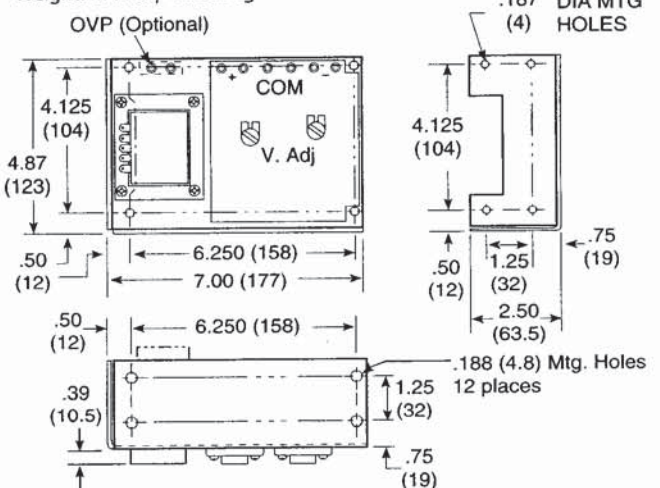
Case C

Weight: 7.28 lbs / 3.3022kg



Case DB

Weight: 4.4 lbs / 1.9958kg



AMERICAS

5810 Van Allen Way
 Carlsbad, CA 92008
 Telephone: 760-930-4600
 Facsimile: 760-930-0698

EUROPE

Astec House, Waterfront Business Park
 Merry Hill, Dudley
 West Midlands, DY5 1LX, UK
 Telephone: 44 (1384) 842-211
 Facsimile: 44 (1384) 843-355

ASIA

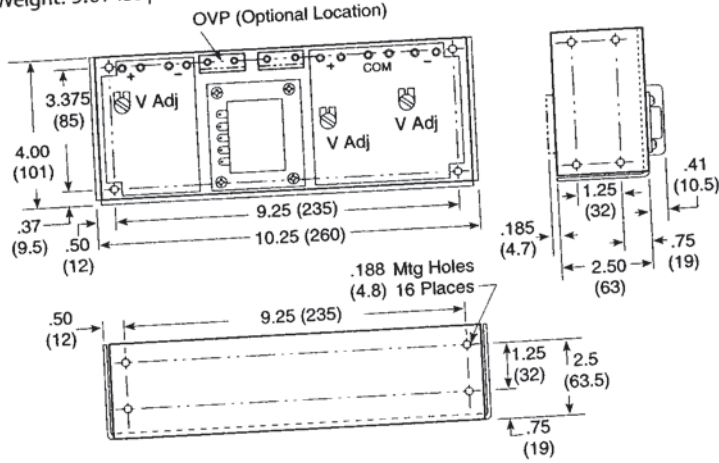
Units 2111-2116, Level 21
 Tower 1, Metroplaza
 223, Hing Fong Road
 Fwai Fong, New Territories
 Hong Kong
 Telephone: 852-2437-9662
 Facsimile: 852-2402-4426



LINEARS

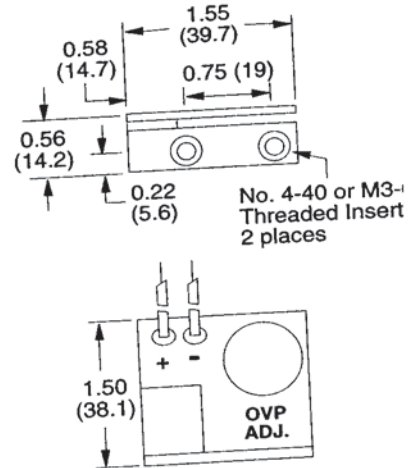
Case TB

Weight: 5.07 lbs / 2.2997kg



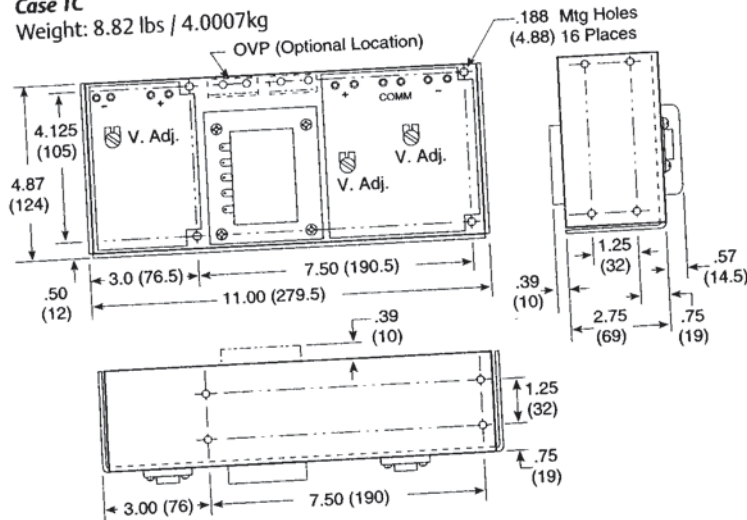
Model No. A-OVP-1

Weight: 0.05 lbs / 0.0227kg



Case TC

Weight: 8.82 lbs / 4.0007kg



Case TE

Weight: 8.82 lbs / 4.0007kg

