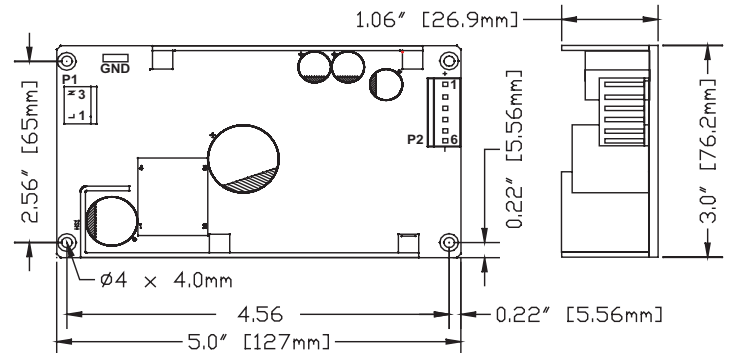


MSM40 series

40 Watt Medical Grade Power Supply



Features

- Wide range AC input
- Fully regulated output
- High efficiency
- Medical grade approval
- 5 year warranty

Environmental

- Operating temperature..... 0° C to 50° C
- Storage temperature..... -55° C to 85° C
- Weight = 0.40 lbs

EMI/EMC

- Meets FCC class B, CISPR 11 class B
- EMC per EN60601-1-2

Safety

- UR/cUR UL2601-1
- CE Marked EN60601-1-2:2001

Input and Output Connections

- Input connector (P1) = AMP p/n 640445-3 or equivalent
- Input mating connector = AMP p/n 640250-3 or equivalent
- Output connector (P2) = AMP p/n 640445-6 or equivalent
- Output mating connector = AMP p/n 640250-6 or equivalent
- Mating connector contacts = AMP p/n 770476-1 or equivalent

Polarity	1	2	3	4	5	6
Input P1	AC Line	-	AC Neutral	-	-	-
Output P2	+V1	+V1	+V1	Com	Com	Com

Input P1 GND 0.25" FASTON TAB

Electrical Specifications

Input

- Voltage.....90 - 264 VAC
- Current.....0.72 Amp @ 100 VAC
- Frequency.....47 - 63 Hz
- Max. Earth leakage current:

Test Voltage	Normal	Single-fault
132 VAC 60 Hz	25 uA	45 uA
264 VAC 50 Hz	45 uA	90 uA

Output

- Line regulation..... TYP +/- 0.5%
- Load regulation..... TYP +/- 2%
- Hold up time.....20 ms min at full load, 115 VAC
- Transient response..... 2 ms for 50% load change typical
- Over voltage protection.....Built-in
- Over current protection..... 150% of max load
- Short circuit protection..... Pulsing mode, auto recovery
- Efficiency..... 80% min at full load and 115 VAC
- Ripple/noise (V_{p-p})..... +/- 0.5% (20 MHz bandwidth)

Model No.	Voltage	Power	Current
MSM4012	12V	40W	3.3A
MSM4015	15V	40W	2.6A
MSM4018	18V	40W	2.2A
MSM4024	24V	40W	1.67A