

Highlights:

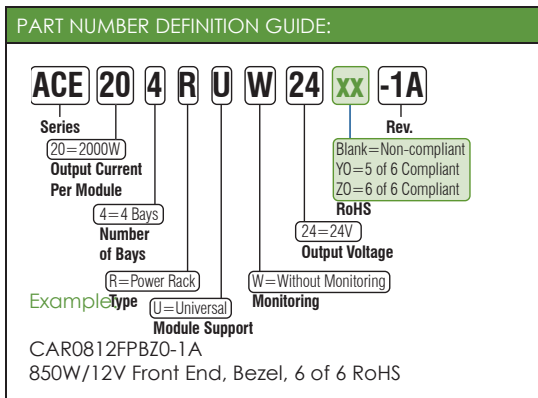
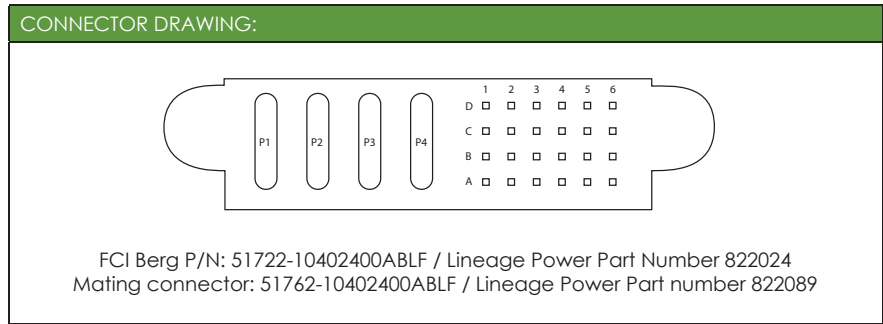
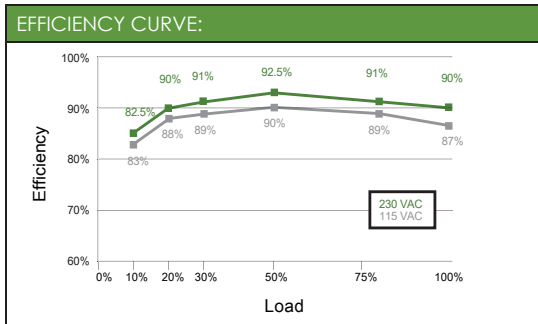
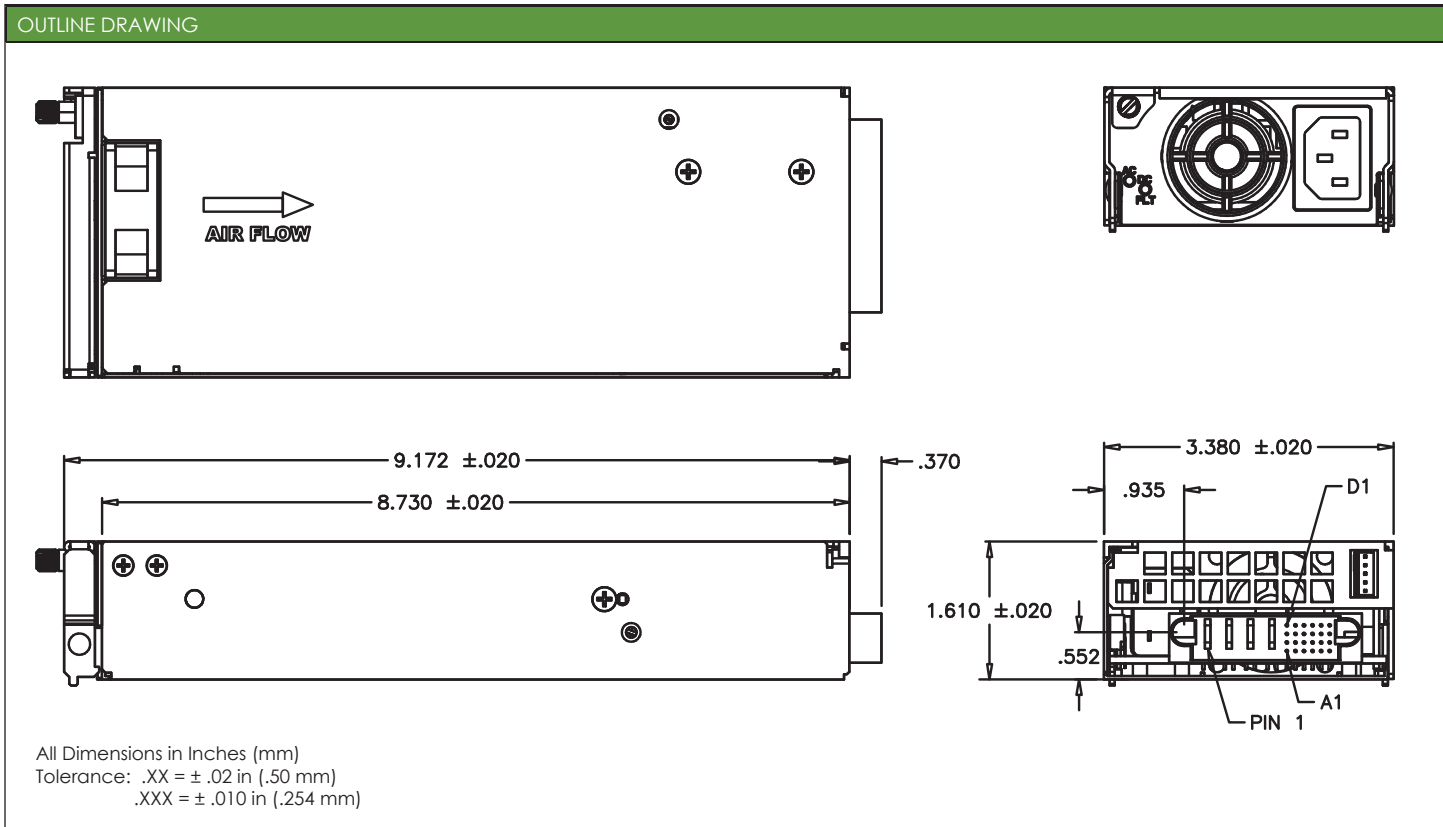
- Compact 1U Profile
- High Efficiency design optimized for mid to light load applications
- Constant Current Characteristic
- N+1 Redundancy with Warm Plug Capability (IEC-320 AC Inlet)
- High Power Density (18W/in³)
- 3.3VSB, Active Load Sharing, I²C and PMBus standard Interface, Remote On/Off and Remote Sense functions



| FEATURES | BENEFITS |
|--|---|
| High Power Density 18W/in ³ | More system space for application circuits and hardware |
| Load Sharing & Fault Tolerant | Excellent reliability in N+1 operation |
| Automatic Fan Speed Control | Reduces audible noise and increases reliability |
| System Scalability up to 3.2kW | Allows flexibility with minimum investment |
| Universal Input & International Certifications | Reduces logistical costs |

| KEY MARKET SEGMENTS & APPLICATIONS |
|---|
| <ul style="list-style-type: none"> ■ Distributed Power □ Blade Servers ■ Mid-End Servers □ Network Equipment ■ Network Attached Storage ■ Storage Area Networks |

| SPECIFICATIONS | 850 Watt +12V Front End Power Supply |
|-----------------------------|---|
| Input Voltage Range | 85-264 VAC, 47-63 Hz, derate to 750W for <90VAC Input |
| Input Current Maximum | 11A (full load, Vin = 100Vac) / 12A (full load, Vin = 90Vac) |
| Inrush Current | 40A max. cold start (Measured at 25°C for all line conditions typical duration 10ms) |
| Input Protection | Single fuse (line) – 15A & 250Vac (Type 3AB Axial) |
| Power Factor | 0.99 typical at full load, complies with IEC555, EN60555-2, EN61000-3-2 |
| Efficiency | Up to 92.5% Efficiency at 50% Load and 230 VAC Operation |
| Output Power | 850W derate to 750W for <90VAC Input |
| Output Voltage Range | 10.8~13.2 VDC with remote programming |
| Output Current | 71.0A @ 12V (no minimum load required) |
| Standby Bias Voltage | 3.3VSB@1A (optional 5Vsb) |
| Voltage Regulation | ±2% of Vnom for any combination of line, load and temperature |
| Output Ripple & Noise | 1% (pk-pk) @ 20MHz with 0.1µF ceramic and 10µF electrolytic caps at the output |
| Transient Response | 5% max deviation Recovery time 500µs @ 50% load step and di/dt < 1A/µs (for system loads >10%) |
| Hold-Up Time | 12ms at 850W typical (Early Warning: 2ms) |
| Remote On/Off | ON if >3V or open; OFF if <1V (max. sink 1mA) Open collector type |
| Current Limit Protection | Adjustable via I ² C interface or PMBus, Constant current characteristic & power limited to 850W |
| Short Circuit Protection | Self protected with auto recovery |
| Over Voltage Protection | Trip level >+14.8Vdc ± 1V, Reset condition by recycling the AC input or applying Remote ON/OFF |
| Operating Temperature | -10°C to +70°C. derate above 50°C at 2.5%/°C (startup -40° C, meet specified spec with 30min. warm period) |
| Over Temperature Protection | Non-Latching, thermal shutdown point is set for 125°C and recovery point is 110°C |
| EMI | FCC-B & EN55022-B with specified filter or at rack level, GR-1089-CORE |
| LED Indicators | AC OK (Green) / DC OK (Green) / Thermal Alarm (Orange) / Fault (Red), "All on one LED" Tri-color LED |
| Analog Status & Control | Voltage Programming (V Prog), Load sharing (I Share), Remote On/Off, Current Monitor (I Monitor), AC OK, DC OK, Temperature Warning, Fault, PS Present, Module Enable |
| Digital Status & Control | I ² C Option and PMBus, see detailed specification for details |
| Shock & Vibration | NEBS GR-63-CORE Level 3 |
| Dimensions | 8.73 x 3.38 x 1.61" / 221.7 x 85.9 x 40.9mm |
| Weight | 4.28 lb. / 1.94 kg. |
| Safety Approvals | IEC/UL/CSA/EN60950-1, CE Mark (LVD), TUV |
| Options | 5VSB Output, Bezel |



PIN OUT INFORMATION

| | | | | | | | |
|----|--------------------|----|------------------|----|----------------|----|-------------|
| A1 | VSB 3.3V | B4 | PS Present | D1 | V Prog | P4 | Vout |
| A2 | VSB 3.3V Return | B5 | SDA | D2 | OVP Test Point | P5 | Vout |
| A3 | Signal RTN | B6 | SCL | D3 | Remote On/Off | P6 | Vout Return |
| A4 | Write Protect | C1 | I Share | D4 | DC OK | P7 | Vout Return |
| A5 | Sense (+) | C2 | Not Connected | D5 | AC OK | | |
| A6 | Sense (-) | C3 | Temp Warning | D6 | Interrupt | | |
| B1 | Fault | C4 | I2C Address (A0) | P1 | Not Connected | | |
| B2 | I Monitor | C5 | I2C Address (A1) | P2 | Not Connected | | |
| B3 | Enable (Short Pin) | C6 | I2C Address (A2) | P3 | Not Connected | | |