



3000W, 360VDC Output Front End

- ◆ Fully enclosed
- ◆ High Efficiency
- ◆ Current share Capable

RoHS

Key Market Segments & Applications

Semi Fab	Wafer Ovens
Medical	X-Ray Equipment
Lasers	

Features and Benefits

Feature

- ◆ Fully enclosed
- ◆ Current share capable
- ◆ Power Factor Corrected

Benefit

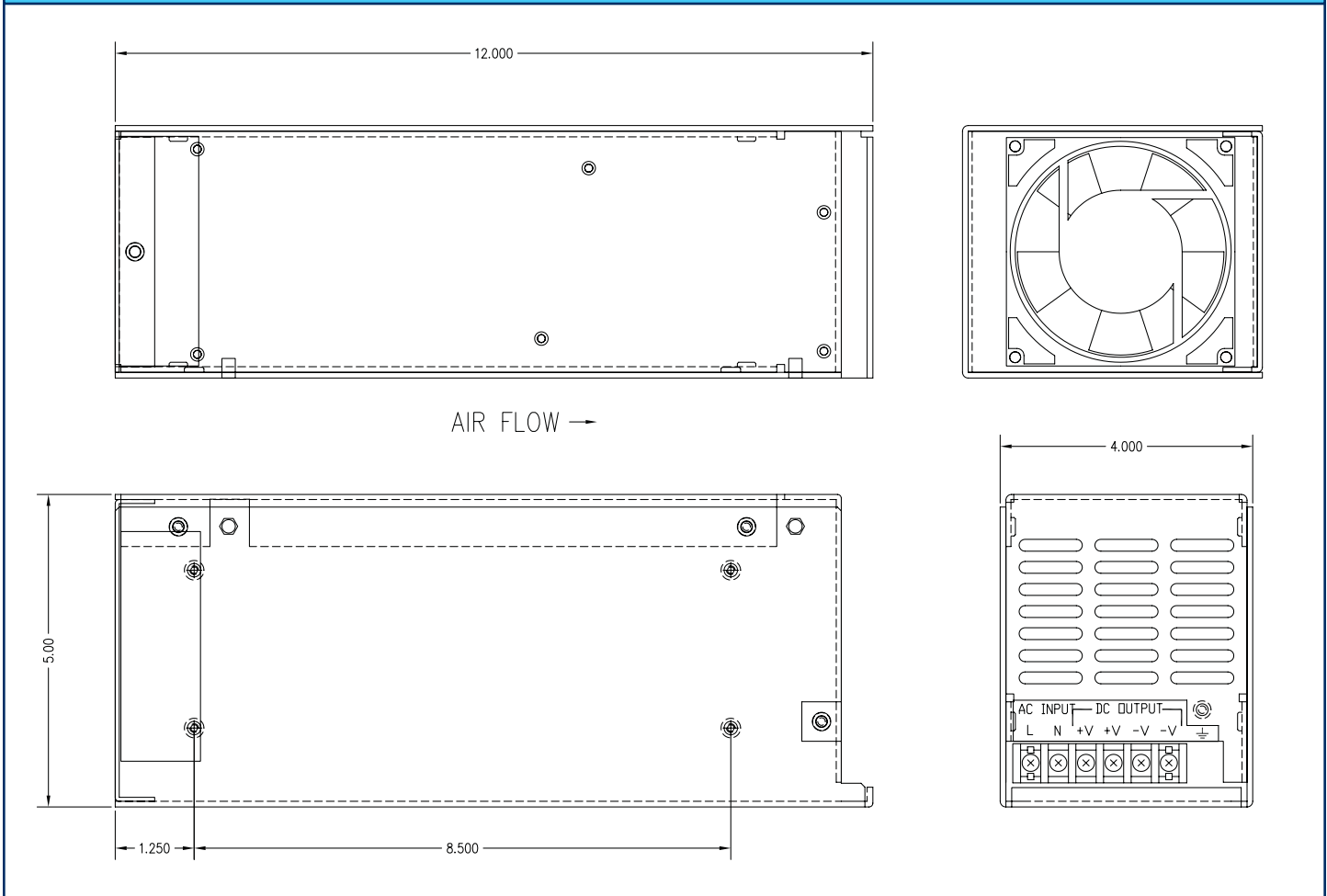
- ◆ No external components needed
- ◆ System scalability
- ◆ Supports Global Use

Specifications

MODEL		VA-26519
ITEMS		
AC Input Voltage & Frequency	VAC	170-265VAC (85-132VAC at 2000W)
Input Frequency	-	47 - 63Hz
Output Voltage	VDC	360V
Output Power	W	3000W
Load Regulation	-	10V
Line Regulation	-	5V typical
Ripple & Noise	V	30V Peak to peak
Inrush Protection	A	<50A
Efficiency (typ) at full load	%	95%
Power Factor	-	Meets EN61000-3-2 (0.95 typical)
Overcurrent Protection	-	Converter shutdown, automatic restart
Overvoltage Protection	V	390 - 400VDC, manual reset
Thermal Shutdown	-	Shutdown inverter, manual reset
Inverter Good Signal	-	Yes
Enable Signal	-	Yes
Parallel Connection	-	Units can be paralleled for system expansion
Operating Temperature	°C	-10 to +50°C
Storage Temperature	°C	-40 to +85°C
Cooling	-	Internal Fan
Withstand Voltage	-	Input - Ground 3kVAC for 1 min (Output is not isolated from the Input)
Safety Agency Approvals	-	UL60950, CSA60950, EN60950 & CE Mark
Weight	g	TBA
Size (WxHxD)	in.	4 x 5 x 12"
Warranty	yrs	Two Years

Notes: (Consult Installation Manual for detailed specifications, test methods and application notes)

Outline Drawing



For Additional Information, please visit
www.lambdapower.com/products/va-series.htm