

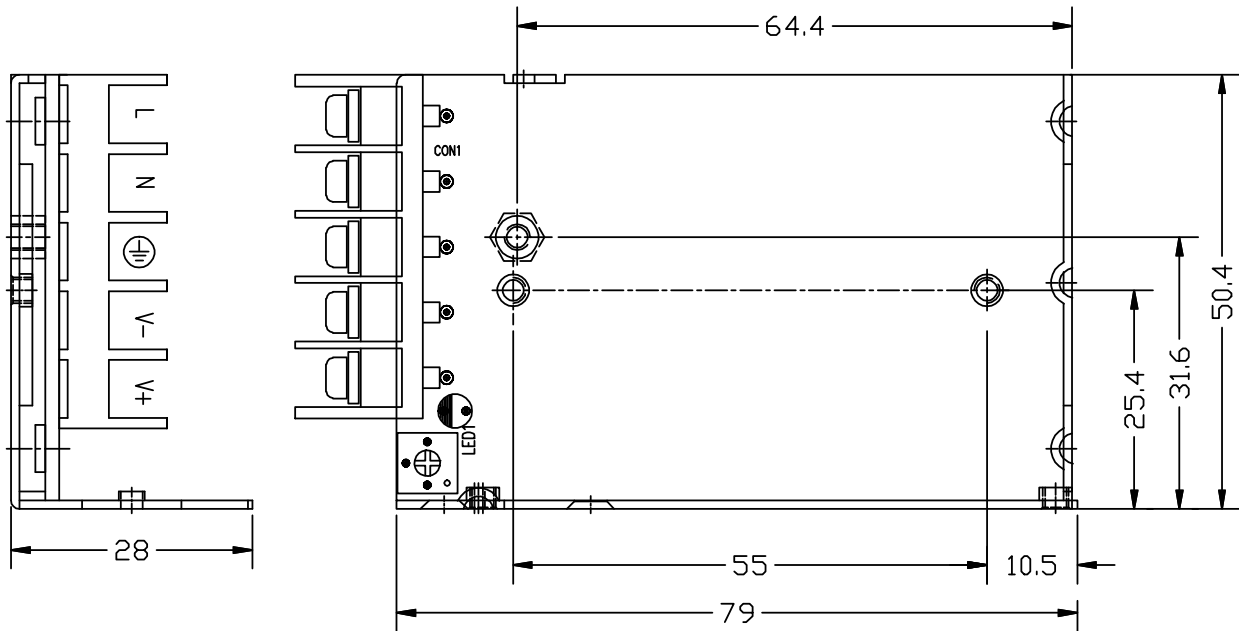
**Features:**

- Universal AC input/ Full range
- High Efficiency, and High Reliability
- Output Protections: OLP/OVP/SCP
- Wide operating ambient temperature (-20°C-70°C)
- All using 105°C long life electrolytic capacitors.
- 100% full load burn-in test

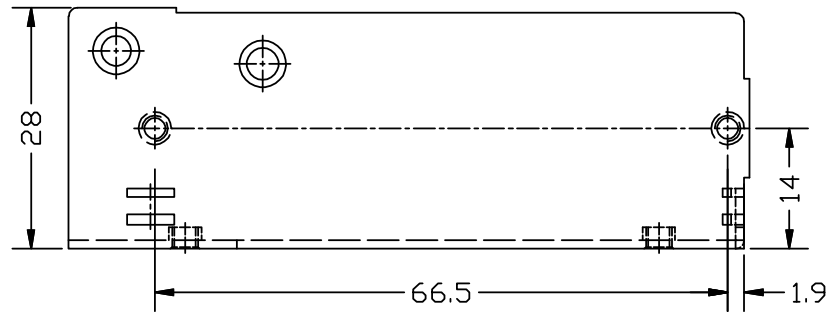


Model	QPD-15-3.3	QPD-15-5	QPD-15-12	QPD-15-15	QPD-15-24
Output Characteristics					
DC Output	3.3V	5V	12V	15V	24V
Rated Current	4A	3A	1.3A	1A	0.7A
Current Range	0-4A	0-3A	0-1.3A	0-1.0A	0-0.7A
Ripple and Noise	50mV	50mV	120mV	120mV	120mV
Voltage ADJ. Range	3.135V-3.465V	4.75V-5.255V	11.4V-12.6V	14.25V-15.75V	22.8V-25.2V
Voltage Accuracy	±3.0%	±3.0%	±3.0%	±3.0%	±3.0%
Line Regulation	±1.0%	±1.0%	±1.0%	±1.0%	±1.0%
Load Regulation	±2.0%	±2.0%	±2.0%	±2.0%	±2.0%
Set-up Time	<2.0s (115VAC input, full load); <1.0s (230VAC input, full load)				
Hold-up Time	>10ms (115VAC input, full load); >20ms (230VAC input, full load)				
Temperature Coefficient	±0.03%/°C				
Overshoot and Undershoot	<5.0%				
Input Characteristics					
Voltage Range	88VAC-264VAC				
Frequency Range	47Hz-63Hz				
Efficiency (Typical) @ 230VAC	70%	76%	80%	81%	83%
AC Current (max)	0.7A				
Inrush Current (Typical)	20A@115VAC Cold Start 40A@230VAC Cold start				
Leakage Current	Input-Output: <0.25mA Input-PG: <3.5mA				
Protection					
Over Load (OLP)	105%-150% of rated output current, hiccup mode, auto recovery				
Over Voltage (OVP)	105%-150% of rated output voltage, constant voltage				
Short Circuit (SCP)	Long-term mode, auto recovery				
Environmental Characteristics					
Operating Amb. Temp. & Hum	-20°C-70°C; 20%-90% RH Non-Condensing				
Storage Temp. & Hum	-40°C-85°C; 10%-95% RH Non-Condensing				
Safety Standards	GB4943-2001; EN60950-1: 2006				
Withstand Voltage	Primary-Secondary: 3.0KVAC;≤10mA. Primary-PG: 1.5KVAC;≤10mA. Secondary-PG: 0.5KVDC;≤10mA				
Isolation Resistance	≥100M ohms				
EMI Conduction & Radiation	Compliance to EN55022(CISPR22) Class B				
Harmonic Current	Compliance to EN61000-3-2, -3				
EMS Immunity	Compliance to EN6100-4-2, 3, 4, 5, 6, 8, 11; ENV50204, light industry level, criteria A				
General Characteristics					
MTBF (MIL-HDBK-217F)	More than 100,000Hrs (25°C, Full load)				
Dimension (LxWxH)	79x51x28mm				
Packing	48PCS/CTN. G.W: 10.4kgs				
Cooling Method	Cooling by free air convection				

MECHANICAL SPECIFICATIONS



Pin No.	Assignment
1	AC-L
2	AC-N
3	F.G
4	DC output -V
5	DC output +V



UNIT: mm