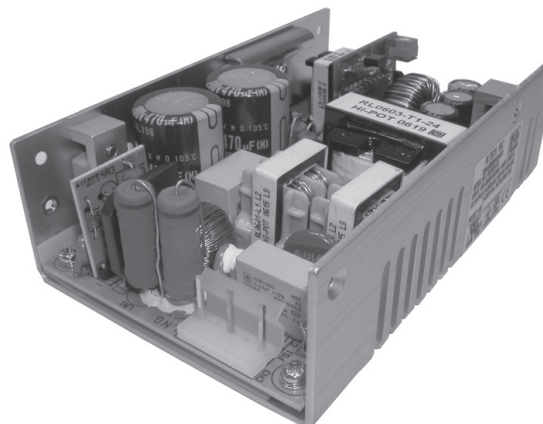


PART NUMBER: VF-S250-XXA

DESCRIPTION: switching power supply

features

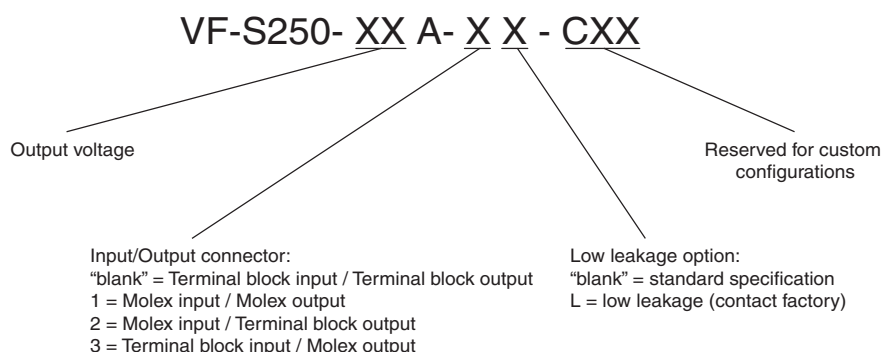
- power factor correction
- power good signal
- short circuit protection
- over load protection
- over voltage protection
- over temperature protection
- providing Peak Power 600W within 500uS duty duration
- approved to UL, CUL, TUV, CE with CB scheme
- low Leakage Current 500uA @ 240Vac
300uA @ 120Vac



MODEL	preset voltage	output ^{1,2}	output current		regulation ³	ripple & noise ^{3,4}		efficiency
			convection ⁵	16 CFM ⁵		(Vpp)		
VF-S250-05A	5V	2 - 5.5 V	20 A	40 A	+/- 1%	1%	75%	
VF-S250-09A	9V	6 - 10 V	13.5 A	25 A	+/- 1%	1%	83%	
VF-S250-12A	12V	12 - 13.5 V	11.25 A	20.83 A	+/- 1%	1%	80%	
VF-S250-15A	15V	13.6 - 15 V	9 A	16.67 A	+/- 1%	1%	83%	
VF-S250-18A	18V	16 - 20 V	7.5 A	13.89 A	+/- 1%	1%	83%	
VF-S250-24A	24V	21 - 26 V	5.63 A	10.42 A	+/- 1%	1%	83%	
VF-S250-28A	28V	27 - 34 V	4.82 A	8.93 A	+/- 1%	1%	83%	
VF-S250-36A	36V	35 - 42 V	3.75 A	6.93 A	+/- 1%	1%	83%	
VF-S250-48A	48V	43 - 50 V	2.81 A	5.21 A	+/- 1%	1%	83%	
VF-S250-54A	54V	51 - 60 V	2.5 A	4.63 A	+/- 1%	1%	83%	

notes:

- 1 Output is fully isolated.
- 2 Output voltage is measured at output power connector.
- 3 1% minimum load is required to maintain the ripple and regulation.
- 4 Ripple and noise is measured from 10 KHz to 20 MHz at output terminals with a 0.1 μ F ceramic capacitor and a 22 μ F electrolytic capacitor in parallel.
- 5 Maximum power must not exceed 135 W with convection cooling or 250 W for forced air. 5 and 9 V models maximum current listed.

CUSTOM CONFIG KEY


PART NUMBER: VF-S250-XXA

DESCRIPTION: switching power supply

INPUT

parameter	conditions/description	min	nom	max	units
input frequency		47		63	Hz
input voltage	90-132 / 180-264 auto-selectable	90/180		132/264	VAC
input current	At 110-120 VAC			6	A
	At 200-240 VAC			3	A
inrush current	peak measured at 115 VAC at full load, cold start			35	A
	peak measured at 230 VAC at full load, cold start			70	A
power factor	Passive Power Correction meets EN61000-3-2 class A				

OUTPUT

parameter	conditions/description	min	nom	max	units
transient response	Output voltage returns to within 1% in less than 2.5 mS for a 50% load change. Peak transient does not exceed 5%.				
overshoot	Turn-on and turn-off overshoot shall not exceed 5% over nominal voltage.				
turn on delay	At 120 VAC			1	second
hold up time	At 120 VAC and 80% of rated maximim load	20			mS
adjustability	Adjustable with built-in trim pot.		±5%		
LED display	When green (LED1) is on the power supply is operating normally.				
power good	Designated as PG on the CN1. This signal goes high 100-500 mS after the output reaches regulation. It goes low at least 1 mS before loss of regulation.				
fan drive	12 VDC/300mA for external fan				

PROTECTION CIRCUIT

parameter	conditions/description
Input fuse	Built-in ac fuse. A blown fuse usually indicates permanent damage to the power supply serviceable by factory only.
overload	Current limiting starts at 110-140% of the rated output current in foldback mode and recovers automatically.
short circuit	Short circuit can be continuous. Recovers automatically upon removal of short.
output over-voltage	Output is protected agaist overvoltage. Unit shuts down and latches when voltage at output terminals exceeds 130%. AC input needs to be reset to restart the power supply.
over temp.	Power supply shuts down when temperature is in excess of 85 °C. Auto recovery.

PART NUMBER: VF-S250-XXA

DESCRIPTION: switching power supply

GENERAL AND SAFETY

parameter	conditions/description	min	nom	max	units
operating temp.	0 to 70°C ambient, de-rating at 2.5% per degree from 50°C to 70°C.	0		50	°C
storage temp.		-20		85	°C
operating humid.	Non-condensing	5%		90%	RH
storage humid.	Non-condensing	5%		95%	RH
EMI	CISPR 22/EN55022 class B, EN61000-3-2, 3, EN61000-4-2, 3, 4, 5, 6, 8, 11, EN55024 CE marked (LVD)				
safety	UL60950-1, CSA C22.2 No. 60950-1, TUV EN60950-1 and CB				
leakage Current	Regular type 1.5mA @ 240VAC, (optional for 500uA @ 240VAC 300uA @ 120VAC)			1.5	mA
vibration	Acceleration ± 7.35 M/(SxS), on X, Y and Z Axis	5		50	Hz
fan drive	12 Vdc/300mA is available to drive an external fan.				
isolation voltage (HI-POT)	Applied for 3 seconds at 10 mA max. Primary to secondary: Primary to transformer core: Primary to earth chassis:			3,000 1,500 1,500	V ac V ac V ac
grounding test	Allowable resistance measured when 25 A current is applied from the ground pin of the three prong plug to the farthest earthed connection point.			0.1	Ω
warranty	Standard warranty length			2	years
MTBF	According to MIL-HDBK-217 at 30 °C	100,000			hours
burn-in	Full load, at 45 ± 5 °C, 230 VAC.			1	hours
remote on/off	Designated as RMSW on the CN1, requires a low signal to inhibit output. Hiccough mode.				

MECHANICAL

parameter	conditions/description	min	nom	max	units
weight				400	grams
enclosure	5(L) x 3.2(W) x 1.5(H)				inches

LOGIC CONNECTOR - (CN1)

parameter	conditions/description
logic	JS B7B-XH-A
	Suggested mating connector: JST XHP-3 or equivalent (CHYAO SHIUNN JS-2001-03)
pin assignments:	<ol style="list-style-type: none"> 1. Power good 2. Remote switch 3. RTN

PART NUMBER: VF-S250-XXA

DESCRIPTION: switching power supply

FAN DRIVER CONNECTOR - (FAN)

parameter	conditions/description
fan	Suggested mating connector: JST XHP-2 or equivalent (CHYAO SHIUNN JS-2001-02)

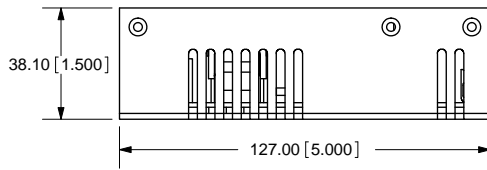
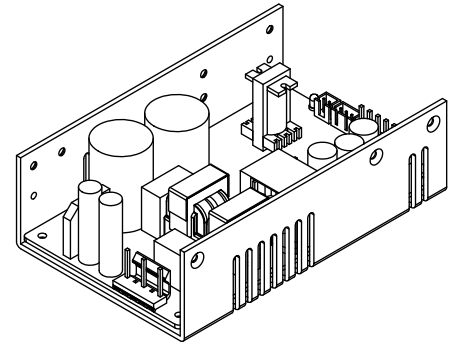
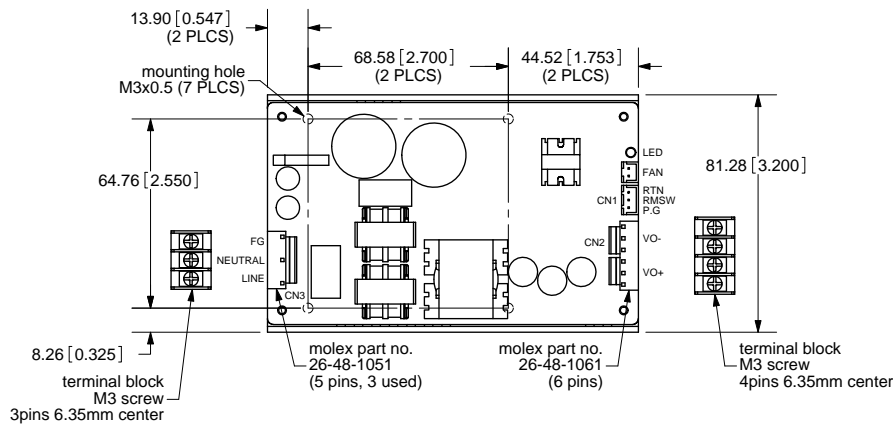
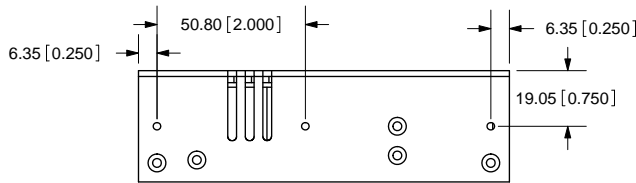
OUTPUT CONNECTOR - (CN2)

parameter	conditions/description
output (option 1)	Molex Part No. 26-48-1061 or similar (6 pin) Output pin assignment, V+ (Pins 1-3), V- (Pins 4-6) Suggested mating connector: Molex Part No. 09-91-0600 or equivalent (6)
output (option 2)	Howder Terminal block Part No. HD-601-4P (4 pin, M3.5 Screw) 6.35 mm spacing Output pin assignment, V+ (Pins 1-2), V- (Pins 3-4) Suggested mating connector: Molex 19198-0045 or similar

INPUT CONNECTOR - (CN3)

parameter	conditions/description
AC input (option 1)	Molex Part No. 26-48-1051 or similar (5 pin, 3 used). Suggested mating plug: Molex Part No. 09-91-0500 or equivalent (5 pin, 3 used)
AC input (option 2)	Howder Terminal block Part No. HD-601-3P (3 pin, M3.5 Screw) 6.35 mm spacing Suggested mating connector: Molex 19198-0045 or similar

REV.	DESCRIPTION	DATE
A	NEW DRAWING	6/26/2008



NOTE: MOUNTING HOLE MAX DEPTH 2.30mm

TOLERANCE:
±0.3mm UNLESS OTHERWISE
SPECIFIED



20050 SW 112th Ave.
Tualatin, OR 97062
Phone: 503-612-2300
800-275-4899
Fax: 503-612-2383
Website: www.cui.com

TITLE: SWITCHING POWER SUPPLY		REV: A
PART NO. VF-S250-XXA Series	UNITS: MM [INCHES]	
DRAWN BY: ZRJ	APPROVED BY:	SCALE: 1:2

PC FILE NAME:
VF-S250-XXA Series

COPYRIGHT 2008 BY CUI INC.