



TECHNICAL SUPPORT

WORLDWIDE
1-888-357-2280
saleselpac@iccus.com
www.iccus.com

EUROPE
+44.1383.432920
saleseurope@iccus.com

Elpac Power Systems™

HIGHER EFFICIENCY, HIGHER POWER DENSITY, UNCOMPROMISED RELIABILITY



5-YEAR LIMITED WARRANTY*

- High Efficiency: Level V
- Fully Regulated DC Output
- Lifetime Expectation >5 years
- Hold-up Time >14ms at full load
- EISA & CEC Compliant
- Floating Output
- Safety Approval - EN60601-1 Class I

Input	
Input Voltage	85 – 264VAC 100 – 240VAC Nominal
Input Frequency	47 – 63Hz
Input Current	<1.0A rms
Inrush Current	<37A at 230VAC cold start
Zero Load Power Consumption	<0.3W
Earth Leakage Current	<60µA @ 132VAC @ 60Hz
	<80µA @ 264VAC @ 60Hz
Patient Leakage Current	<30µA @ 132VAC @ 60Hz
	<50µA @ 264VAC @ 60Hz

Output	
Output Voltage	See Table
Total Regulation	+/-5%
Minimum Load	No minimum load required
Start-Up Delay	<250ms
Hold-Up Time	>14ms
Ripple & Noise	<1% pk-pk **
Over Voltage Protection	110 – 135%
Over Temperature Protection	Active - Recoverable; plus Passive - Non Recoverable
Over Current Protection	120 – 180%
Short Circuit Protection	Shutdown, auto-restart (hiccup mode)

Notes

*visit www.iccus.com for complete details

**Ripple and noise measured with 20MHz bandwidth; 10µF tantalum capacitor in parallel with a 0.1µF ceramic capacitor.





Model Number	Output Voltage	Output Current	Peak Current ¹	Total Regulation ²	Typical Efficiency ³
MTA040009A	9.0V	4.4A	5.3A	±5%	85%
MTA040012A	12.0V	3.3A	4.0A	±5%	87%
MTA040015A	15.0V	2.7A	3.2A	±5%	88%
MTA040024A	24.0V	1.7A	1.6A	±5%	87%

Notes

- 1) Maximum peak load (48W) lasting 500ms with a maximum 10% duty cycle.
- 2) Includes initial setting, line regulation, load regulation, and thermal drift.
- 3) Typical at 115VAC

General	
Efficiency	Avg Efficiency 87.1% @ 115VAC; 87.1% @ 230VAC
MTBF	min. 200,000 hours demonstrated
Size	4.00" (101.6mm) x 2.00" (50.81mm) x 0.99" (25.2mm)
Weight	0.29 lbs (.13 kg)
Power Density	5.76W/in ³

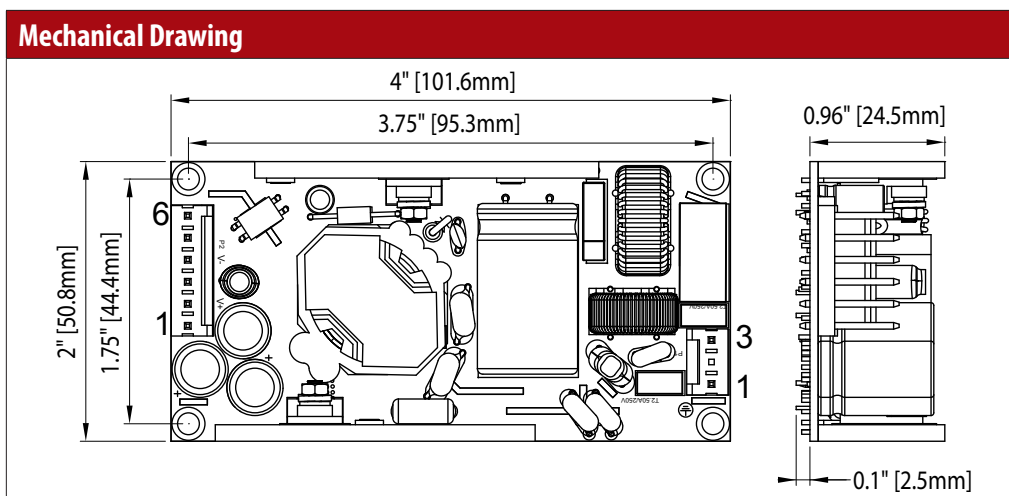
Environmental	
Operating Temperature	0 – 70°C (Full load to 50°C, derate linearly to 50% load at 70°C)
Storage Temperature	-40°C to +85°
Relative Humidity	5-95%, non-condensing
Cooling	Natural Convection
Vibration	All units production tested to 19.6m/s ²

EMC & Safety	
Emissions	FCC class B, CISPR11 class B EN61000-3-2, -3
Immunity	EN61000-4-2, -3, -4, -5, -6, -8, -11
Certified by TUV to the following:	cTUVus
	UL 60601-1
	CAN/CSA-22.2 No.601.1-M90
	CB per IEC60601-1
	CE marked to LVD

Input Configuration	
Standard Input Cable	Not provided
Connection on Power Supply Body	AMP 640445-3
Mating Connector	AMP 640250-3 or Equivalent

Output Configuration	
Standard Output Cable	Not provided
Connector (PSU side)	AMP 640445-6
Mating Connector	AMP 640250-6 or equivalent

Output Pin Assignments	
Pin 1	+V1
Pin 2	+V1
Pin 3	Return
Pin 4	Return
Pin 5	No Connection
Pin 6	No Connection



Input Pin Assignments	
Pin 1	AC Line
Pin 2	<not assembled>
Pin 3	AC Neutral

Ordering Options Available	
Cooling	
Grounded Output	
Chassis Mount	
Cable Harness	
Load Share	
Cover	