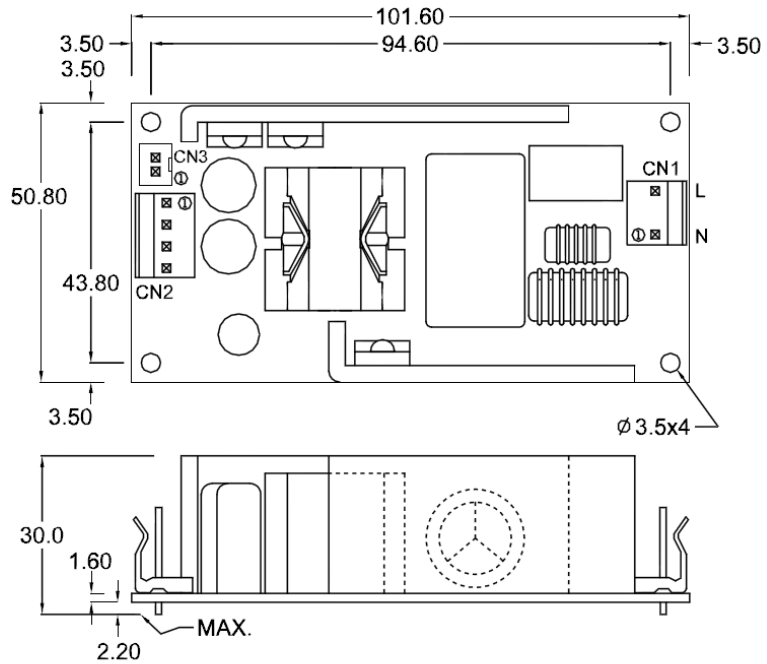


# CSS Outline Drawing

CN1 (AC Input)  
 Pin 1 Neutral  
 Pin 2 No connection  
 Pin 3 Line

CN2 (DC Output)  
 Pin 1 +Vout  
 Pin 2 +Vout  
 Pin 3 0V  
 Pin 4 0V

CN3 (Remote Sense)  
 Pin 1 - sense  
 Pin 2 + sense



Dimension: L101.6 x W50.8 x H30mm UNIT : mm

Rev 2 2/29/09

**TDK-Lambda**