

**PART NUMBER:** VGS-100-XX

**DESCRIPTION:** switching power supply

**features**

- green design, no-load power consumption <0.5 W
- universal ac input / full range
- short circuit, overload, over-voltage, brown-out (low ac input voltage) protected
- cooling by free air convection
- LED indicator for power on
- 105°C long life electrolytic capacitors
- high operating temperature up to 70°C
- able to withstand 5G vibration
- high efficiency, long life, high reliability
- 2 year warranty



MODEL	input voltage		output voltage (V dc)	output current range (A)	dc output power (W)	ripple & noise max. <sup>2</sup> (mV)	efficiency typ. (%)
	range (V dc)	range (V ac)					
VGS-100-3.3	125~373	88~264	3.3	0~20	66	80	70
VGS-100-5	125~373	88~264	5	0~16	80	80	80
VGS-100-12	125~373	88~264	12	0~8.5	102	120	86
VGS-100-15	125~373	88~264	15	0~7	105	120	88
VGS-100-24	125~373	88~264	24	0~4.5	108	120	88
VGS-100-48	125~373	88~264	48	0~2.3	110	200	89

**INPUT**

parameter	conditions/description	min	nom	max	units
input voltage range		125		373	V dc
		88		264	V ac
input current	at 115 V ac		2.5		A
	at 230 V ac		1.4		A
inrush current	at 230 V ac, cold start		40		A

- notes:
1. All parameters NOT specially mentioned are measured at 230VAC input, rated load and 25°C of ambient temperature.
  2. Ripple & noise are measured at 20MHz of bandwidth by using a 12" twisted pair-wire terminated with a 0.1uf & 47uf parallel capacitor.

\*V-Infinity reserves the right to make changes to its products or to discontinue any product or service without notice, and to advise customers to verify the most up-to-date product information before placing orders. V-Infinity assumes no liability or responsibility for customer's applications using V-Infinity products other than repair or replacing (at V-I's option) V-Infinity products not meeting V-I's published specifications. Nothing will be covered outside of standard product warranty.

**PART NUMBER:** VGS-100-XX**DESCRIPTION:** switching power supply**OUTPUT**

parameter	conditions/description	min	nom	max	units
voltage tolerance	3.3 V	-3		+3	%
	5 V	-2		+2	%
	12 V, 15 V, 24 V, 48 V	-1		+1	%
voltage adjust range		-10		+10	%
ripple & noise (20MHz BW)	3.3 V, 5 V			80	mV RMS
	12 V, 15 V, 24 V			120	mV RMS
	48 V			200	mV RMS
setup rise hold time	setup: 800 ms, rise: 50 ms / 230 V ac hold: >32 ms / 230 V ac, >10 ms / 115 V ac			setup: 1000 ms, rise: 65 ms / 115 V ac	
temperature coefficient	at 0~50°C		±0.03		%/°C
short circuit protection	continuous				
line regulation <sup>3</sup>		-0.5		+0.5	%
load regulation <sup>4</sup>	3.3 V	-2		+2	%
	5 V	-1		+1	%
	12 V, 15 V, 24 V, 48 V	-0.5		+0.5	%
over voltage protection	latch-off mode	115		140	%
over current protection	hiccup mode, auto recovery	110			%

**ISOLATION SPECIFICATIONS**

parameter	conditions/description	min	nom	max	units
isolation voltage	input/output, for 1 minute	3000 (4242)			V ac (V dc)
	input/case, for 1 minute	1500 (2121)			V ac (V dc)
	output/case, for 1 minute	500 (707)			V ac (V dc)
isolation resistance		100			MΩ

**ENVIRONMENTAL**

parameter	conditions/description	min	nom	max	units
storage temperature		-40		85	° C
operating temperature		-25		70	° C
operating humidity		20		90	%
vibration	10~500 Hz, 5 G, 10 minutes, 1 cycle (1 hour each axis)				

**SAFETY & EMI**

parameter	conditions/description	min	nom	max	units
safety approvals	UL/cUL 60950-1, TUV EN60950-1 approved				
EMI standard	EN55022: 1998+A1: 2000+A2: 2003 class B				
EMC	EN61000-3-2: 2000+A2: 2005 class A, EN61000-3-3: 1995+A1: 2001, EN61204-3: 2000, EN50204: 1998+A1: 2001+A2: 2003 light industry level, criteria A				
RoHS compliant	yes				
leakage current	at 240 V ac			2	mA

**RELIABILITY**

mean time before failure (MTBF) 620,300 hours compliance, standard: MIL-HDBK-217F

**GENERAL SPECIFICATIONS**

dimensions	129 x 98 x 38 mm
packaging	0.45 kg; 30 pcs / 15 kg

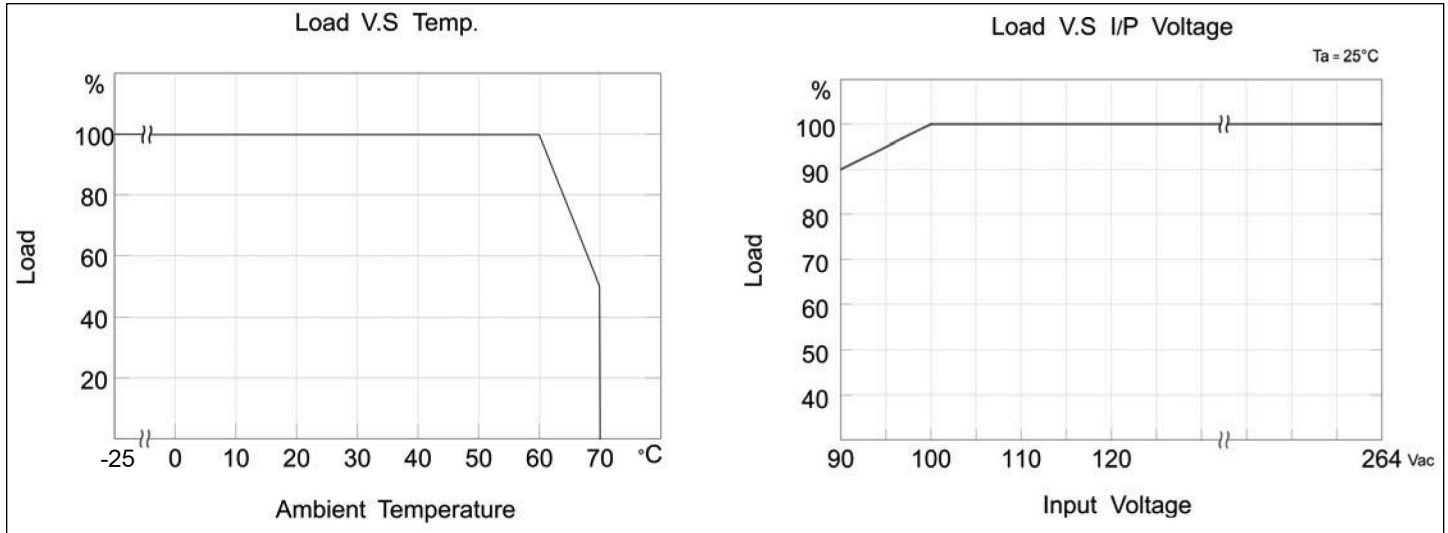
notes:  
 3. measured from high line to low line at full load  
 4. measured from full load to zero to 100% load at nominal input



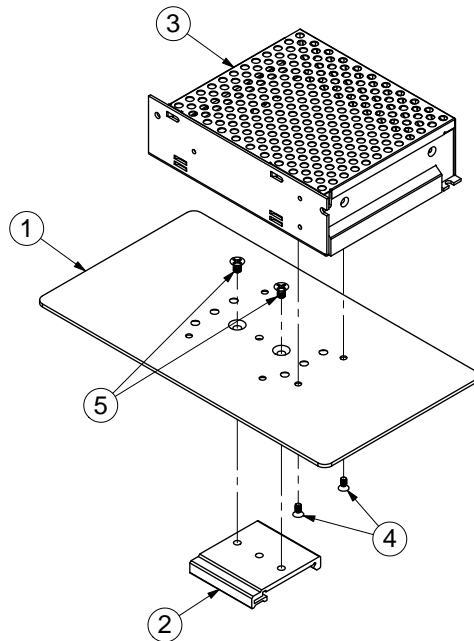
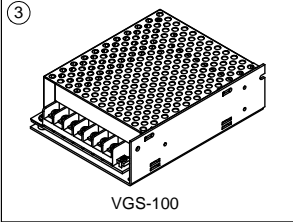
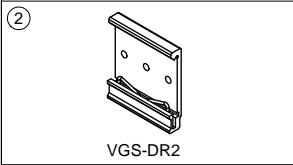
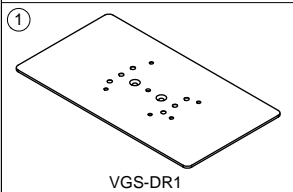
**PART NUMBER:** VGS-100-XX

**DESCRIPTION:** switching power supply

### DE-RATING CURVES



DIN RAIL MOUNTING OPTIONS



REV.	DESCRIPTION	DATE
A	NEW DRAWING	6/22/2009

TOLERANCE:  
±0.3mm UNLESS OTHERWISE  
SPECIFIED



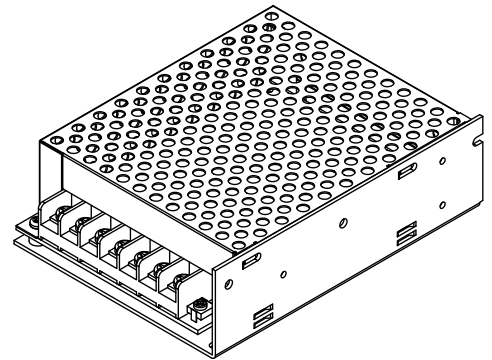
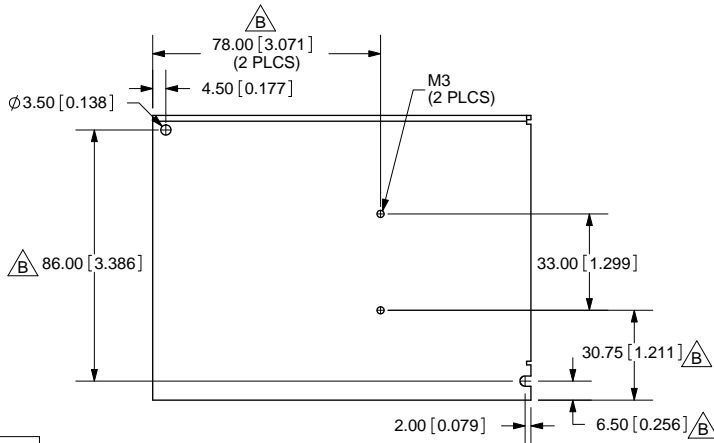
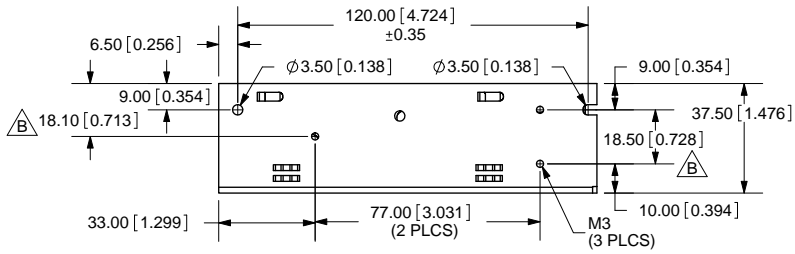
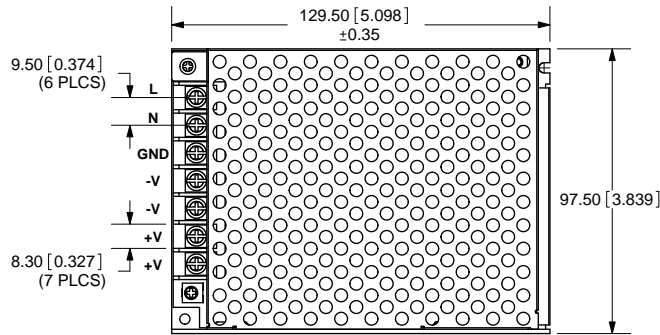
20050 SW 112th Ave.  
Tualatin, OR 97062  
Phone: 503-612-2300  
800-275-4899  
Fax: 503-612-2383  
Website: www.cui.com

TITLE: VGS-100 DIN RAIL ACCESSORIES		REV: A
PART NO. VGS-100-DIN-RAIL	UNITS: MM [INCHES]	
DRAWN BY: ZRJ	APPROVED BY:	SCALE: 1:5

PC FILE NAME:  
VGS-100-DIN-RAIL

COPYRIGHT 2009 BY CUI INC.

REV.	DESCRIPTION	DATE
A	NEW DRAWING	1/22/2009
B	dimension updates	1/6/2011



NOTE: TERMINAL BLOCK SCREWS  
#6-32 (7 PLCS)

TOLERANCE:  
±0.3mm UNLESS OTHERWISE  
SPECIFIED



20050 SW 112th Ave.  
Tualatin, OR 97062  
Phone: 503-612-2300  
800-275-4899  
Fax: 503-612-2383  
Website: www.cui.com

TITLE: SWITCHING POWER SUPPLY		REV: B
PART NO: VGS-100-XX	UNITS: MM [INCHES]	
DRAWN BY: ZRJ	APPROVED BY:	SCALE: 1:2

PC FILE NAME:  
VGS-100-XX

COPYRIGHT 2011 BY CUI INC.