

## 15-100W, 5-48V Output DIN Rail Mount Power Supplies



- ◆ Low Cost
- ◆ 5V to 48V Outputs
- ◆ Universal Input
- ◆ Compact Size
- ◆ NEC NFPA70 Class 2<sup>(2)</sup>
- ◆ UL508 Listed
- ◆ Class 1, Division 2 (ISA 12.12)<sup>(3)</sup>
- ◆ -10 to +71°C Operation
- ◆ Convection Cooled

**RoHS**

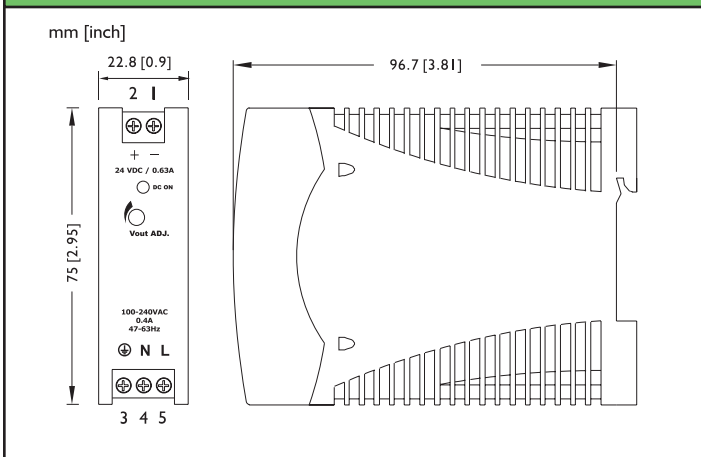
Specifications		MODELS	DPP15	DPP25/30	DPP50	DPP100
ITEMS						
AC Input Voltage range	VAC		85 - 264VAC			85 - 132VAC 176 - 264VAC
Input Frequency	Hz		47 - 63Hz			
DC Input Voltage range	-		90 - 375VDC			210 - 375VDC
Inrush Current (115 / 230VAC)	A	<35A	35 / 45A	35 / 50A	35 / 55A	
Power Factor	-		Meets EN61000-3-2 Class A			
Input Current (230VAC)	A	0.4	0.72	1.35	2.2	
Leakage Current	mA		<0.75mA, 265VAC, 63Hz			
Output Voltage Accuracy	%		±1% (24V outputs preset at 24.5V)			
Line Regulation	%		< 0.5%			
Load Regulation	%		< 0.5%			
Ripple and Noise	mV		50mV			
Overcurrent Protection (Typ)	-		>110% (fold forward type)			
Overvoltage Protection	V		120 - 137.5%, Cycle AC line to reset			
Hold Up Time (115VAC input)	ms		> 20ms			
Parallel switch	-		No			Yes
LED Indicator	-		Green LED = On			
Operating Temperature	-		-10 to +71°C (Derate linearly 5%/°C from 61 to 71°C)			
Storage Temperature	-		-25 to +85°C			
Operating Humidity	-		20 - 90% RH (non condensing)			
Cooling (1)	-		Convection			
Withstand Voltage	-		Input to Output 3kVAC for 1 min.			
Shock	-		Half sine wave, 4G, 22ms, 3 times per face, X, Y, Z			
Vibration	-		10-500Hz (20 min sweep) 0.002G <sup>2</sup> /Hz, 1 Grms acceleration X, Y, Z, 1 hour			
Isolation Resistance	-		>100M at 25C & 70%RH, Output to Ground 500VDC			
Safety Agency Approvals	-		UL60950-1, UL508, NEC Class 2 <sup>(2)</sup> , EN60950-1, CE Mark, ISA 12.12 <sup>(3)</sup>			
Emissions	-		EN55011, EN55022 class B Radiated & Conducted, EN61000-6-3			
Immunity	-		EN61000-6-2, EN61000-4-2 Level 4, EN61000-4-3, EN61000-4-6 Level 3, EN61000-4-4 Level 4 (I/P) Level 3 (O/P), EN61000-4-5 Level 4, EN61000-4-8, EN61000-4-11			
Weight (Typ)	g	130	260	390		
Size (WxHxD)	in	0.9x2.95x3.81"	1.77x2.95x3.58"	2.86x2.95x3.81"		
Case material	-		Plastic			
MTBF (MIL-HDBK-217F, GF25)	Hours	287,000	>288,000	269,000	239,000	
Warranty	-		Two years			

(1) Recommend 1" clearance on all sides.  
 (2) See model selector. Evaluated to NEC NFPA70 Class 2 output per UL1310.  
 (3) See model selector.

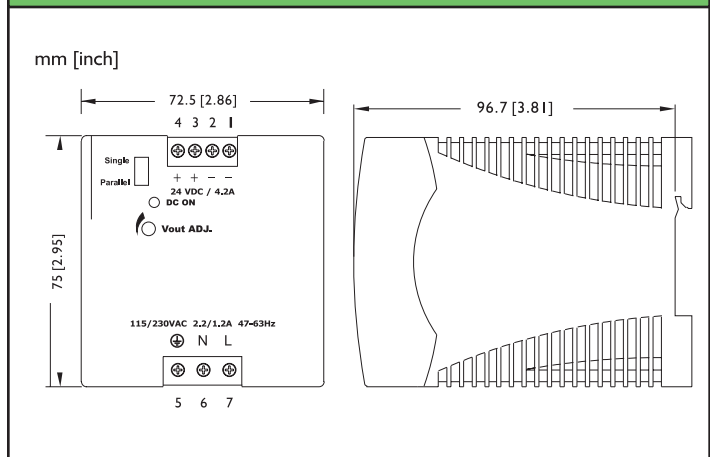
## Model Selector

Model	Voltage (V)	Voltage Adjust (V)	Current (A)	Power (W)	Effic. (typ) %	UL1310 Class 2	ISA12.12 Class 1 Div 2
DPP25-5	5	5-6	5.0	25	78	-	Yes
DPP30-12	12	9.9-12.1	2.5	30	83	Yes	Yes
DPP50-15	15	11.9-15.1	3.4	50	85	Yes	Yes
DPP15-24	24	22.5-28.5	0.63	15	81	Yes	-
DPP30-24	24	22.5-28.5	1.3	30	84	Yes	Yes
DPP50-24	24	22.5-28.5	2.1	50	86	Yes	Yes
DPP100-24	24	22.5-28.5	4.2	100	87	-	-
DPP50-48	48	48-56	1.05	50	87	Yes	Yes

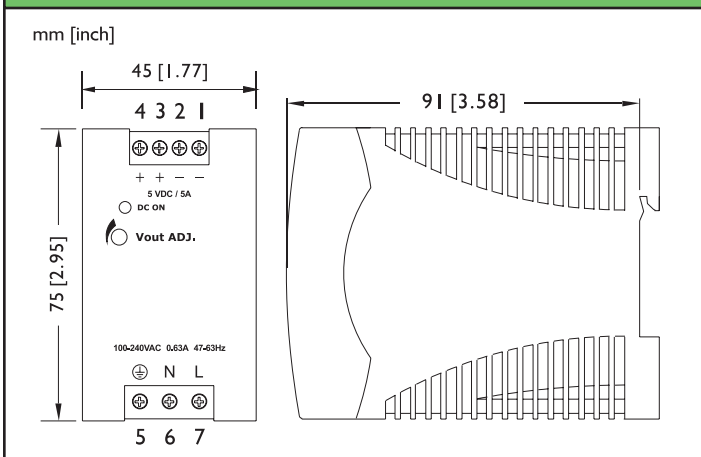
## DPP15 Outline



## DPP100 Outline



## DPP25-DPP50 Outline



## Installation:

- Snap-on Mounting** - snap onto DIN Rail TS35/7.5 or TS35/15. (No tools required)
- Cooling** - Normal Convection
- Clearance** - 25mm all sides
- Connection** - Use copper wire 0.5-2.5mm<sup>2</sup> (AWG24-12)

## Other DIN Rail Products

DSP/DPP	10W to 480W power supplies
DLP	75W to 240W power supplies
DLP-PU	Redundancy Module (20A)
R Series	3A to 30A single & three phase EMI Filters

For Additional Information, please visit  
[us.tdk-lambda.com/lp/products/dpp-series.htm](http://us.tdk-lambda.com/lp/products/dpp-series.htm)