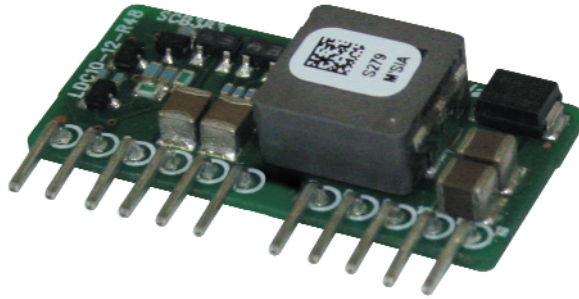


# LEDC10 Series

## 10W Programmable DC Input LED Driver



- ◆ 0 - 480mA current programming range
- ◆ PWM or Logic programming / dimming
- ◆ Wide 4.5 to 20VDC input range
- ◆ Non Isolated
- ◆ Wide temperature range

**RoHS**

### Key Market Segments & Applications

LED Lighting

### Specifications

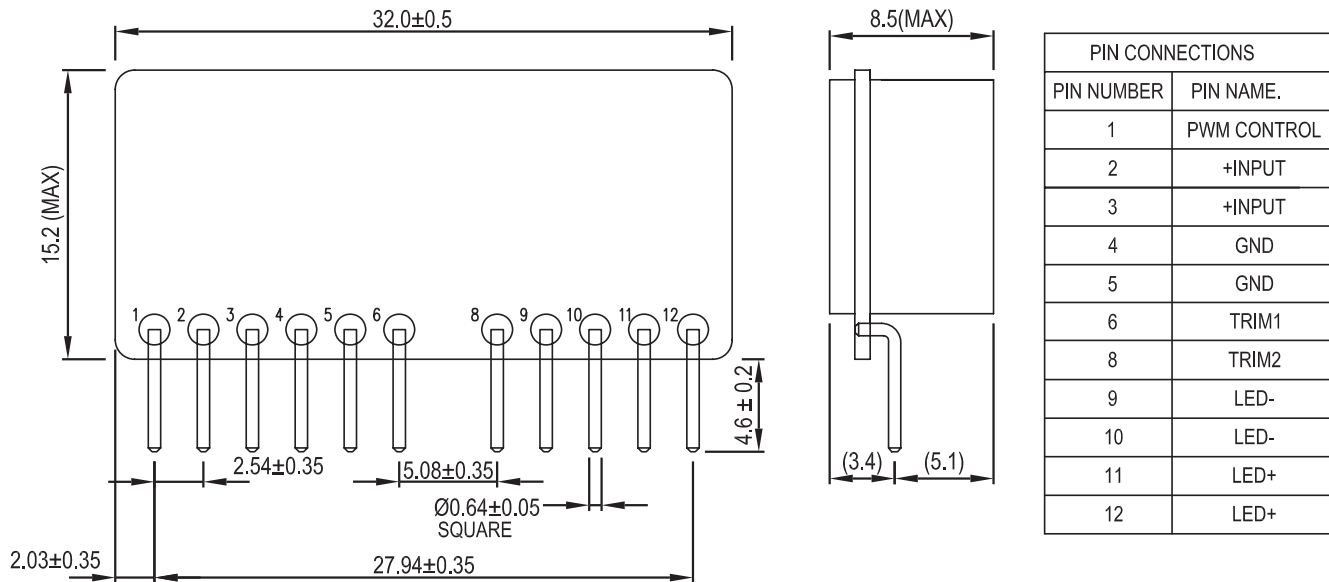
MODEL		LEDC10-12-R48
ITEMS		
DC Input	VDC	4.5 - 20V, nominal 12V
Input Current (Nominal Input Volt.)	mA	920mA full load, 7mA off load
Temperature Coefficient	-	<0.02%/°C
Ripple and Noise	mV	150mV (peak to peak)
Overcurrent Protection	-	Yes, indefinite. Auto recovery
Overvoltage Protection	VDC	26 - 30V (clamp)
Turn on time	ms	< 100ms
Output current rise and fall times	us	3us
Maximum capacitive load	nF	100nF
Efficiency	%	87% typical at full load, nominal input
Operating Temperature	-	-40 to +85°C (Full load)
Storage Temperature	°C	-40 to +125°C
Operating Humidity (1)	-	5 - 95% RH
Storage Humidity (1)	-	5 - 95% RH
Cooling	-	Convection
Input to Output Isolation	-	None
Vibration (non operating)	-	10 - 55Hz: 19.6m/s <sup>2</sup> constant sweep 1 min X, Y, Z for 30 mins
Shock (In shipping package)	-	< 196.1 m/s <sup>2</sup> (20G)
Weight (Typ)	g	6
Size (LxWxH)	in(mm)	1.26 x 0.33 x 0.6" (32 x 8.5 x 15.2mm)
Warranty	yrs	Three Years

(1) Non condensing

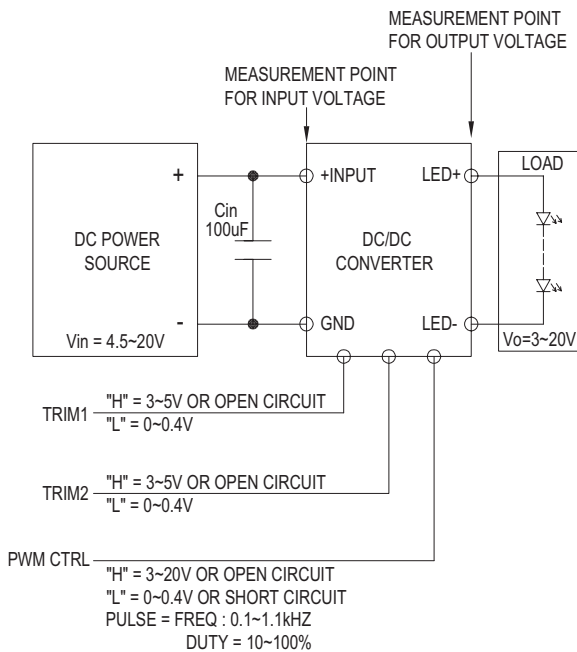
### Model Selector

Model	CV/CC	Output Voltage (V)	Input Voltage (V)	Output Accuracy	Output Current (A)	Maximum Output Power (W)
LEDC10-12-R48	CC	3 - 20VDC	4.5 - 9VDC	±5% (±10% for 50mA programming)	0.35A	7W
			9 - 20VDC		0.48A	9.6W

## Outline Drawing



## Basic Connection



## Output Current Setting

### Logic

Output current	Trim 1 logic level	Trim 2 logic level
50mA	0	0
150mA	0	1
350mA	1	0
480mA	1	1

Logic "0" = 0 - 0.4V  
Logic "1" = 3 - 5V or open

### PWM Control

Duty cycle	10 - 100%
Frequency	0.1 - 1.1kHz
"On" voltage range	3 - 20V or open
"Off" voltage range	0 - 0.4V or short to GND

(Leave open if PWM is not used)

For Additional Information, please visit  
[us.tdk-lambda.com/products/led10-series.htm](http://us.tdk-lambda.com/products/led10-series.htm)