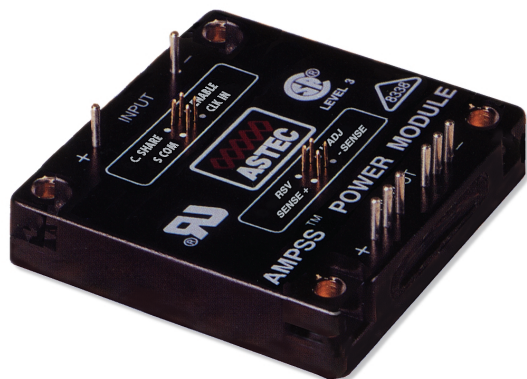


# 100 Watts

## AK60A

**Total Power:** 100 Watts  
**Input Voltages:** 24V  
**No. of Outputs:** Single



### Electrical Specs

#### Input

Input Range 18 to 36 VDC  
 Efficiency 83% typical (5V @ 20A)  
 88% typical (12V @ 8.3A)

#### Output

Load Regulation 0.2% typical  
 Line Regulation 0.2% typical  
 Noise/Ripple 150 mV typical (output below 5V)  
 3% typical (output 5V and over)  
 Remote sense Up to 0.5V

Output Voltage ±10% of nominal output  
 Adjust Range 10% max deviation with (25-75% full load) 500µs (max) recovery  
 Transient Response 130% nominal Vo  
 160% nominal Vo (2.2V)  
 140% nominal Vo (3.3V)  
 Overvoltage Protection 115% Io max

#### Control

Voltage Adjust Enable 90 to 110% Vo  
 TTL compatible (low to enable)

### Special Features

- High efficiency - up to 88%
- 500 KHz Fixed frequency
- 100°C Baseplate operating temperature (with no derating)
- Low output ripple and noise
- Excellent transient response
- High reliability - over 1 million hours MTBF
- Wide input voltage range
- TTL compatible enable control
- Adjustable output voltage
- Overtemperature and short circuit protection

### Environmental

Operating temperature (baseplate): -40°C to +100°C  
 Storage temperature: -55°C to +105°C  
 Overtemperature protection: 110°C typical  
 MTBF: > 1 million hours (50°C baseplate)

### Safety

<b>UL</b>	UL 1950	E182206
<b>CSA</b>	CSA22.2-234 CSA22.2-950	LR53982C
<b>VDE</b>	IEC950	
<b>EN</b>	60950	
<b>CE</b>	CEMark (LVD)	

AMERICAS

5810 Van Allen Way  
 Carlsbad, CA 92008  
 Telephone: 760-930-4600  
 Facsimile: 760-930-0698

EUROPE

Astec House, Waterfront Business Park  
 Merry Hill, Dudley  
 West Midlands, DY5 1LX, UK  
 Telephone: 44 (1384) 842-211  
 Facsimile: 44 (1384) 843-355

ASIA

Units 2111-2116, Level 21  
 Tower1, Metroplaza  
 223, Hing Fong Road  
 Fwai Fong, New Territories  
 Hong Kong  
 Telephone: 852-2437-9662  
 Facsimile: 852-2402-4426



AK60A

## Ordering Information

Input Voltage	Output Voltage	Output Current	Model Number
24V	2.2V	20A	AK60A-024L-022F20G
24V	3.3	20A	AK60A-024L-033F20G
24V	5V	20A	AK60A-024L-050F20G
24V	12V	8.3A	AK60A-024L-120F08G
24V	15V	6.7A	AK60A-024L-150F07G
24V	24V	4.2A	AK60A-024L-240F04G

Please contact Astec for information on other output voltages, power ranges and configurations.

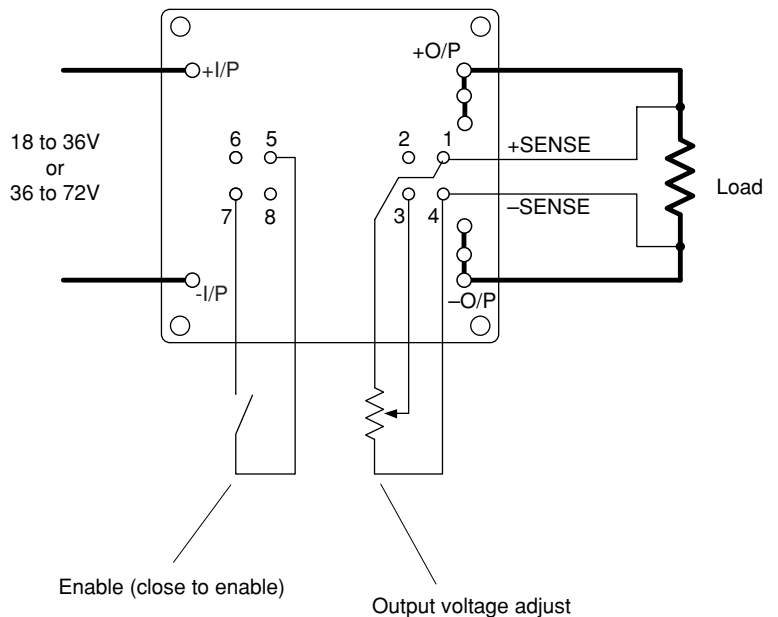
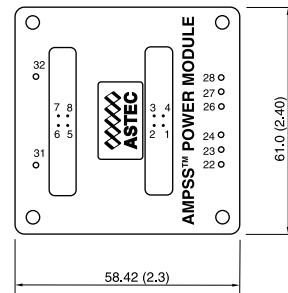
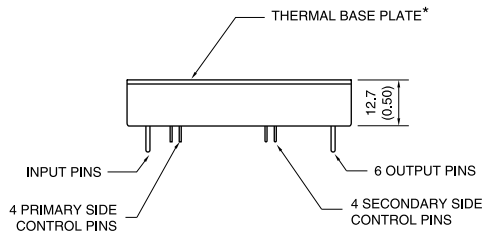
## Pin Assignments

Input	Output	Control Pins
31. +ve	22. +ve	1. +SENSE
32. -ve	23. +ve	2. RSV
	24. +ve	3. V ADJ
	26. -ve	4. -SENSE
	27. -ve	5. S COM
	28. -ve	6. C.Share
		7. ENABLE
		8. CLK IN

**Notes:**

Nominal values apply with sense pins connected and other control pins unconnected.

Specifications subject to change without notice.



Astec Integrated Power