

50-150 Watts

AEH10-30

Total Power: 50-150 Watts
 Input Voltages: 24V,48V
 No. of Outputs: Single



Special Features

- Industry standard pin-out & performance 100°C baseplate temperature (no derating)
- Positive and negative enable function
- Low output ripple and noise
- Remote sense compensation
- Regulation to zero load
- Fixed frequency switching (330 kHz)

Environmental

Operating case temperature range:
 -40°C to +100°C
 Storage temperature: -55°C to +125°C
 MTBF: >2 million hours

Safety

UL UL1950
 CSA CSA22.2-950
 TUV EN60950

Electrical Specs

Input

Input range 36-75 VDC
 Input Surge 100V / 100ms
 Efficiency 89%@5V

Output

Load regulation 0.2% max
 Line regulation 0.5% max
 Ripple and noise 150mV max
 Output voltage adjust range ±10% of nominal output
 Transient Response 1% max deviation with 50% to 75% full load 100 μS (max) recovery

Control

Voltage Adjust 90 to 110%
 Enable TTL compatible (positive & negative enable options)

AMERICAS

5810 Van Allen Way
Carlsbad, CA 92008
Telephone: 760-930-4600
Facsimile: 760-930-0698

EUROPE

Astec House, Waterfront Business Park
Merry Hill, Dudley
West Midlands, DY5 1LX, UK
Telephone: 44 (1384) 842-211
Facsimile: 44 (1384) 843-355

ASIA

14/F, Lu Plaza
2 Wing Yip Street
Kwun Tong, Kowloon
Hong Kong
Telephone: 852-2176-3333
Facsimile: 852-2176-3888



AEH10-30

Ordering Information

Input Voltage	Output Voltage	Efficiency	Model Number
18-36V	2.5V @ 10A	86%	AEH10G24 (EOL)
18-36V	3.3V @ 10A	87%	AEH10F24
18-36V	5.0V @ 10A	88%	AEH10A24 (EOL)
18-36V	2.5V @ 20A	85%	AEH20G24 (EOL)
18-36V	3.3V @ 20A	87%	AEH20F24
18-36V	5.0V @ 20A	88%	AEH20A24 (EOL)
36-72V	2.5V @ 10A	86%	AEH10G48 (EOL)
36-72V	3.3V @ 10A	87%	AEH10F48
36-72V	5.0V @ 10A	89%	AEH10A48
36-72V	2.5V @ 15A	85%	AEH15G48 (EOL)
36-72V	3.3V @ 15A	87%	AEH15F48
36-72V	5.0V @ 15A	89%	AEH15A48
36-72V	2.5V @ 20A	87%	AEH20G48 (EOL)
36-72V	3.3V @ 20A	89%	AEH20F48
36-72V	5.0V @ 20A	90%	AEH20A48
36-72V	1.8V @ 30A	82%	AEH30Y48
36-72V	2.5V @ 30A	85%	AEH30G48 (EOL)
36-72V	3.3V @ 30A	87%	AEH30F48
36-72V	5.0V @ 30A	89%	AEH30A48

NOTES:

Enable Function

"N" = negative logic enable (without "N" = positive enable)

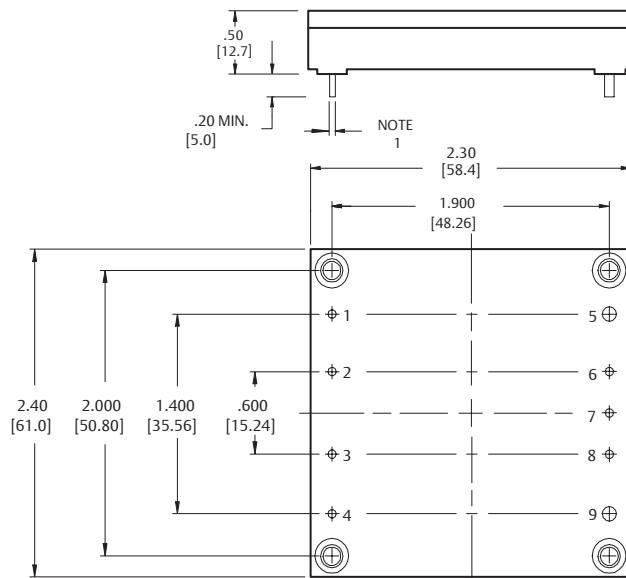
Pin Assignments

Single Output

1. -Vin
2. Case
3. Enable (on/off)
4. +Vin
5. -5V Rtn
6. -Sense
7. Trim
8. + Sense
9. +5V Out

Notes:

1. 20 mHz bandwidth. An external 2.2 mf ceramic capacitor is recommended to be placed from +V out to -V out.
2. Requires a 2.2 mf, 100V film capacitor connected between +V in and -V in to meet FCC class A and ETS300-386-1 requirements for conducted noise. Consult Factory for filtering information to meet FCC class B, VDE or EIC specifications.
3. All specifications are typical at nominal line, full load, and 25°C unless otherwise noted.
4. All specifications subject to change without notice. Mechanical drawings are for reference only.
5. Please refer to the Technical Reference Notes for more information.
6. Warranty: 1 yr



Mounting Inserts
M3 X .5 (4 places)

BOTTOM VIEW