



## 363M10K

**363 Series Trimmer, 10 kOhm, 0.5 W, 1 Turns, Square Body, Vertical Shaft**

*Representative photograph, actual product appearance may vary.*

*Due to regional agency approval requirements, some products may not be available in your area. Please contact your regional Honeywell office regarding your product of choice.*

### Features

- 0.5 Watt
- Cermet element
- Low cost
- Superior setability and stability
- CRV to 3 % or 3 Ohms
- solid stops

### Typical Applications

- Voltage divider circuits
- Telecommunications

### Description

The 363 Series is a low cost, 9.53 mm (3/8 in.) square, single turn trimmer. Made in accordance to MIL-R-22097 standards, the 363 is sealed for cleaning in common solvents.

## 363M10K

**363 Series Trimmer, 10 kOhm, 0.5 W, 1 Turns, Square Body, Vertical Shaft**

## Product Specifications

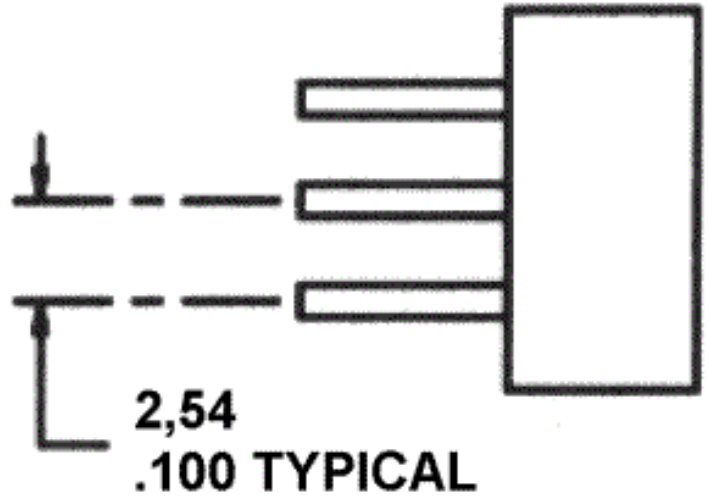
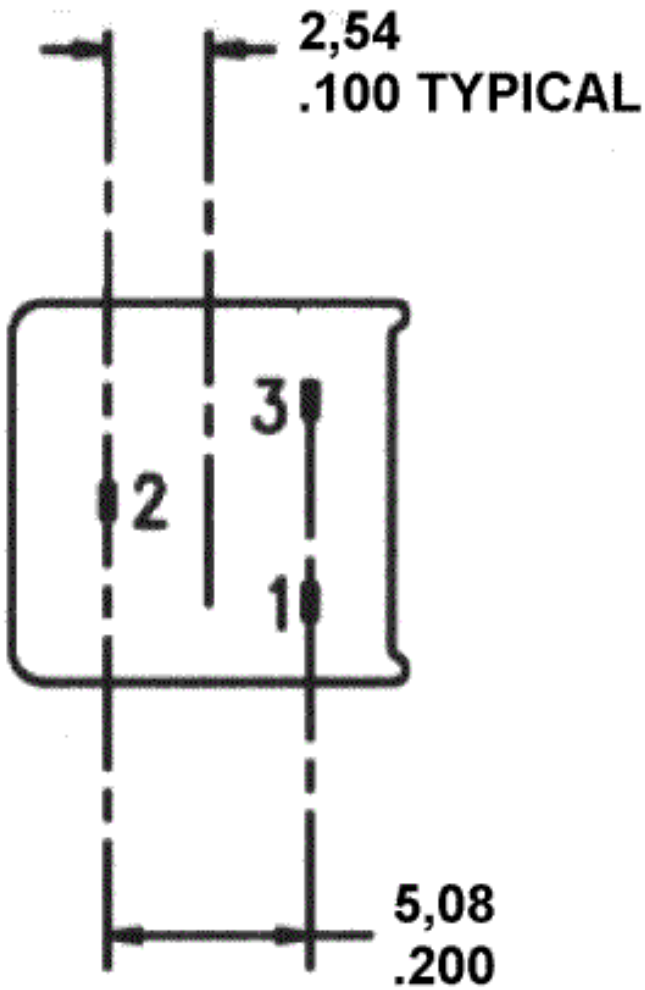
<b>Product Type</b>	Trimmer
<b>Watts</b>	0.5 W
<b>Turns</b>	1
<b>Element Type</b>	Cermet
<b>Resistance Value</b>	10 kOhm
<b>Resistance Tolerance</b>	± 10 %
<b>Temperature Coefficient</b>	± 100 ppm/ °C
<b>Body</b>	9,53 mm [0.375 in] square
<b>Shaft Location</b>	Vertical
<b>Rotational Life</b>	200 cycles
<b>Series Name</b>	363 Series
<b>Availability</b>	Global
<b>UNSPSC Code</b>	4111363300
<b>UNSPSC Commodity</b>	4111363300 Potentiometers

# Honeywell

## 363M10K

363 Series Trimmer, 10 kOhm, 0.5 W, 1 Turns, Square Body, Vertical Shaft

FOR REFERENCE ONLY (MM/IN)



**Honeywell**

## 363M10K

363 Series Trimmer, 10 kOhm, 0.5 W, 1 Turns, Square Body, Vertical Shaft

### **⚠ WARNING**

#### **PERSONAL INJURY**

DO NOT USE these products as safety or emergency stop devices, or in any other application where failure of the product could result in personal injury.

**Failure to comply with these instructions could result in death or serious injury.**

## **WARNING**

### **MISUSE OF DOCUMENTATION**

- The information presented in this product sheet (or catalog) is for reference only. DO NOT USE this document as product installation information.
- Complete installation, operation and maintenance information is provided in the instructions supplied with each product.

**Failure to comply with these instructions could result in death or serious injury.**

© Copyright Honeywell Inc. 1998-2004 All rights reserved.