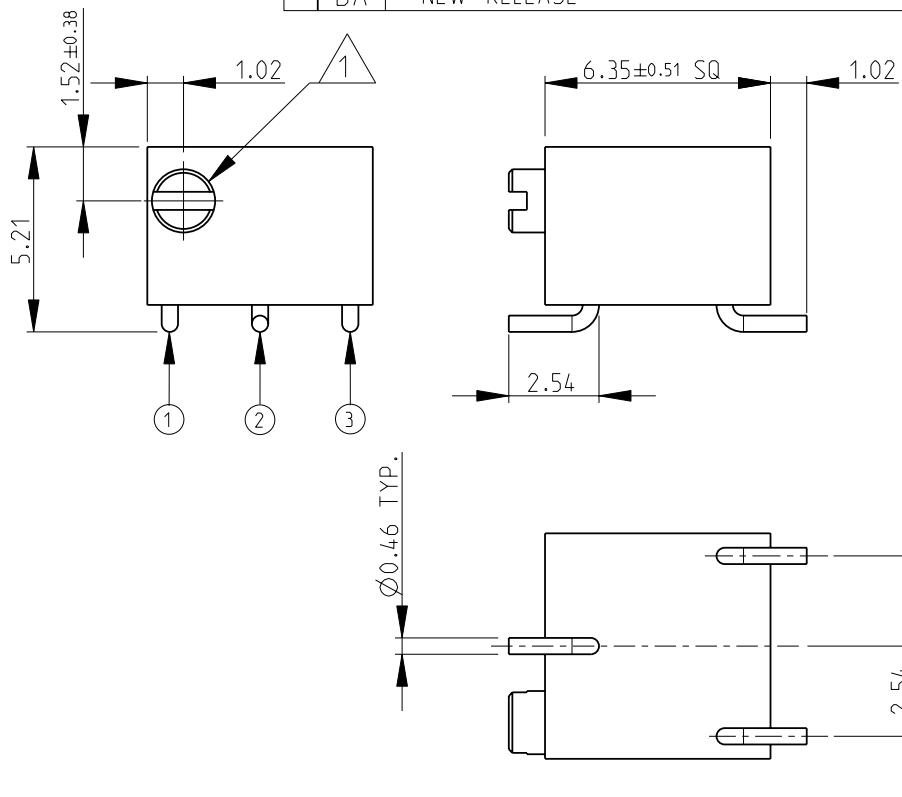
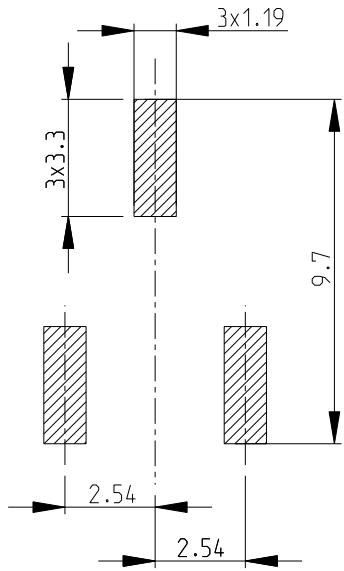


LOC	DIST	REVISIONS					
E	B	P	LTR	DESCRIPTION	DATE	DWN	APVD
		BA		NEW RELEASE	13-NOV-08	SM	St.P

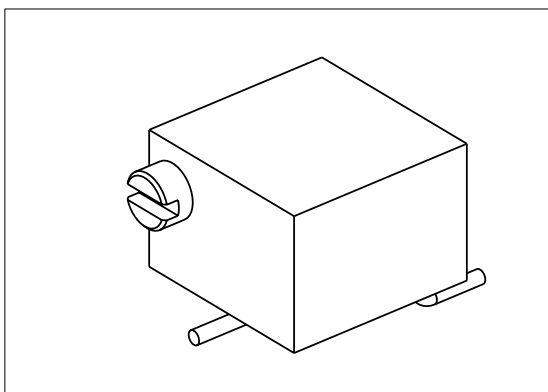


RECOMMENDED LAND PATTERN



- 1 ADJUSTMENT SLOT: Ø1.78mm, WIDTH- 0.51mm, DEPTH- 0.51mm
- 2 FOR FURTHER INFORMATION SEE DATA SHEET FOR 3270 SERIES-SMD PROFESSIONAL TRIMMERS

RoHS Compliant



2008
 RELEASED FOR PUBLICATION
 THIS DRAWING IS UNPUBLISHED.
 © COPYRIGHT 2008 BY TYCO ELECTRONICS CORPORATION. ALL RIGHTS RESERVED.

DIMENSIONS: mm		DWN SUBHASH.M	13-NOV-08	MATERIAL	FINISH		
TOLERANCES UNLESS OTHERWISE SPECIFIED: 0 PLC ±0.2 1 PLC ±0.1 2 PLC ± 3 PLC ± 4 PLC ± ANGLES ±5		CHK PRAKASH.S	13-NOV-08	Tyco Electronics Corporation Dorcan, Swindon, SN3 5HH			
		APVD STEPHEN.P	13-NOV-08				
		PRODUCT SPEC	NAME SMD PROFESSIONAL TRIMMERS SERIES 3270P				
		APPLICATION SPEC	SIZE CAGE CODE DRAWING NO RESTRICTED TO				
		WEIGHT	0.4g max.		A 4	00779	© = 1623911
CUSTOMER DRAWING				SCALE	5:1	SHEET	1 OF 1
				REV BA			