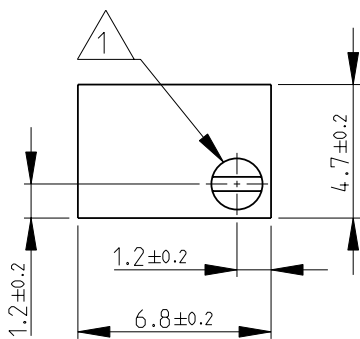
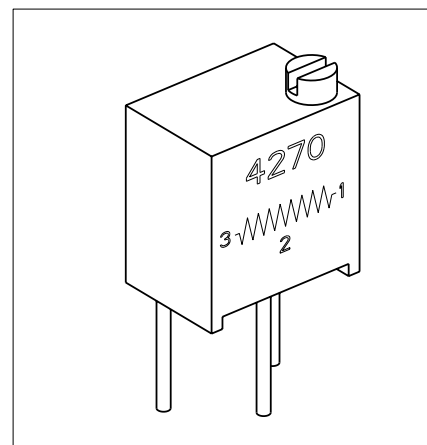
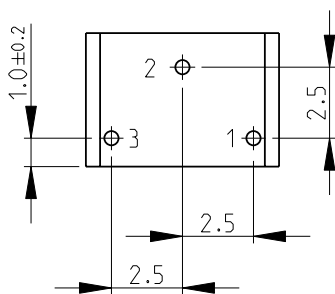
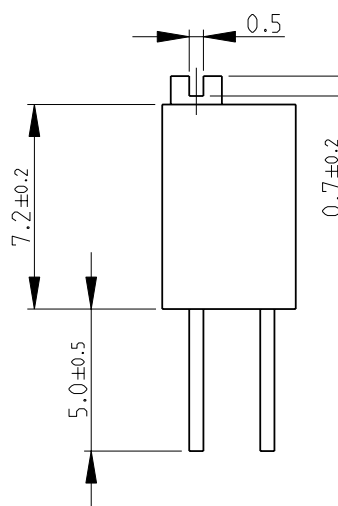
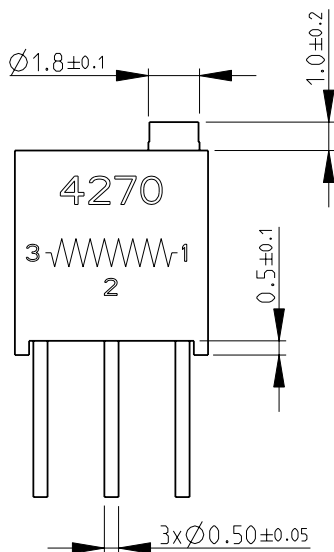


LOC	DIST	REVISIONS						
E	B	P	LTR	DESCRIPTION	DATE	DWN	APVD	
		BA1		AS PER ECR-09-013551	15-JUN-09	SM	St.P	



1 TOP ADJUSTMENT SCREW

2 FOR FURTHER INFORMATION SEE DATA SHEET FOR 4270 SERIES-PROFESSIONAL TRIMMERS



RoHS Compliant

2008
 RELEASED FOR PUBLICATION
 BY TYCO ELECTRONICS CORPORATION. ALL RIGHTS RESERVED.
 THIS DRAWING IS UNPUBLISHED.
 COPYRIGHT 2008

DIMENSIONS: mm TOLERANCES UNLESS OTHERWISE SPECIFIED: 0 PLC ±0.2 1 PLC ±0.1 2 PLC ± 3 PLC ± 4 PLC ± ANGLES ±5°	DWN SUBHASH.M	17-NOV-08	MATERIAL	-	FINISH	-
	CHK PRAKASH.S	17-NOV-08	Tyco Electronics Corporation Dorcan, Swindon, SN3 5HH			
	APVD STEPHEN.P	17-NOV-08	NAME PROFESSIONAL TRIMMERS SERIES 4270W			
	PRODUCT SPEC	-	SIZE	A 4	CAGE CODE	00779
	APPLICATION SPEC	-	DRAWING NO	©=1623862		
	WEIGHT	0.4g max.	RESTRICTED TO			
	CUSTOMER DRAWING		SCALE	4:1	SHEET	1 OF 1
			REV BA1			