

4

3

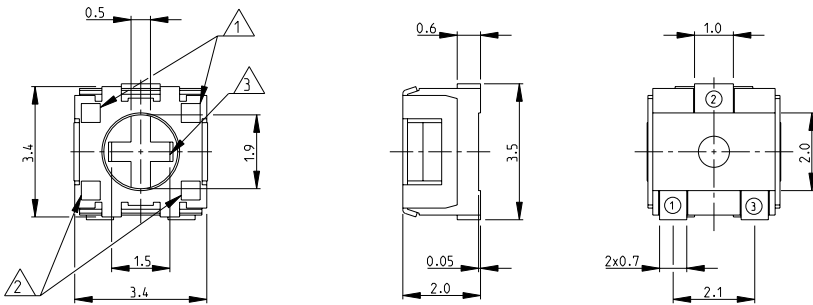
2

1

THIS DRAWING IS UNPUBLISHED. RELEASED FOR PUBLICATION 2008
 © COPYRIGHT 2008 BY TYCO ELECTRONICS CORPORATION. ALL RIGHTS RESERVED.

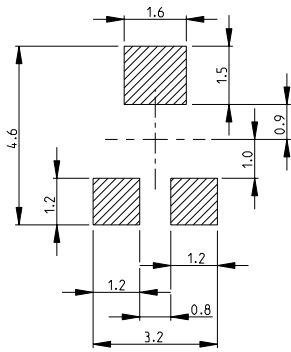
LOC	DIST	REVISIONS				
P	LTR	DESCRIPTION	DATE	DNW	APVD	
E	B	BA	NEW RELEASE	12-NOV-08	SM	ST.P

- ① DATE CODE
- ② RESISTANCE CODE 2 DIGITS
- ③ CROSS SLOT FOR "0" BIT DRIVER, DEPTH: 0.45mm
- ④ FOR FURTHER INFORMATION SEE DATA SHEET FOR 3203 SERIES-SMD TRIMMERS

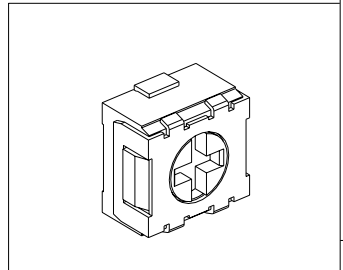
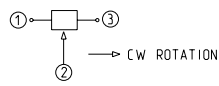


RoHS Compliant

RECOMMENDED LAND PATTERN



CIRCUIT DIAGRAM



<small>THIS DRAWING IS A CONTROLLED DOCUMENT FOR TYCO ELECTRONICS CORPORATION. IT IS SUBJECT TO CHANGE AND THE CONTROLLING ENGINEERING ORGANIZATION SHOULD BE CONTACTED FOR THE LATEST REVISION.</small>		DWN SUBHASH.M 12-NOV-08 CHK PRAKASH.S 12-NOV-08 APVD STEPHEN.P 12-NOV-08	Tyco Electronics Corporation Dorcan, Swindon, SN3 5HH
DIMENSIONS: mm 	TOLERANCES UNLESS OTHERWISE SPECIFIED: 0 PLC ±0.2 1 PLC ±0.1 2 PLC ± 3 PLC ± 4 PLC ± ANGLES ±5°	NAME SMD TRIMMERS SERIES 3203 PRODUCT SPEC - APPLICATION SPEC - WEIGHT -	SIZE A3 CAGE CODE 00779 DRAWING NO ©=1623916 RESTRICTED TO -
MATERIAL -	FINISH -	CUSTOMER DRAWING	SCALE 10:1 SHEET 1 of 1 REV BA

AMP 1470-19 REV 31MAR2000

Pro/ENGINEER DRAWING