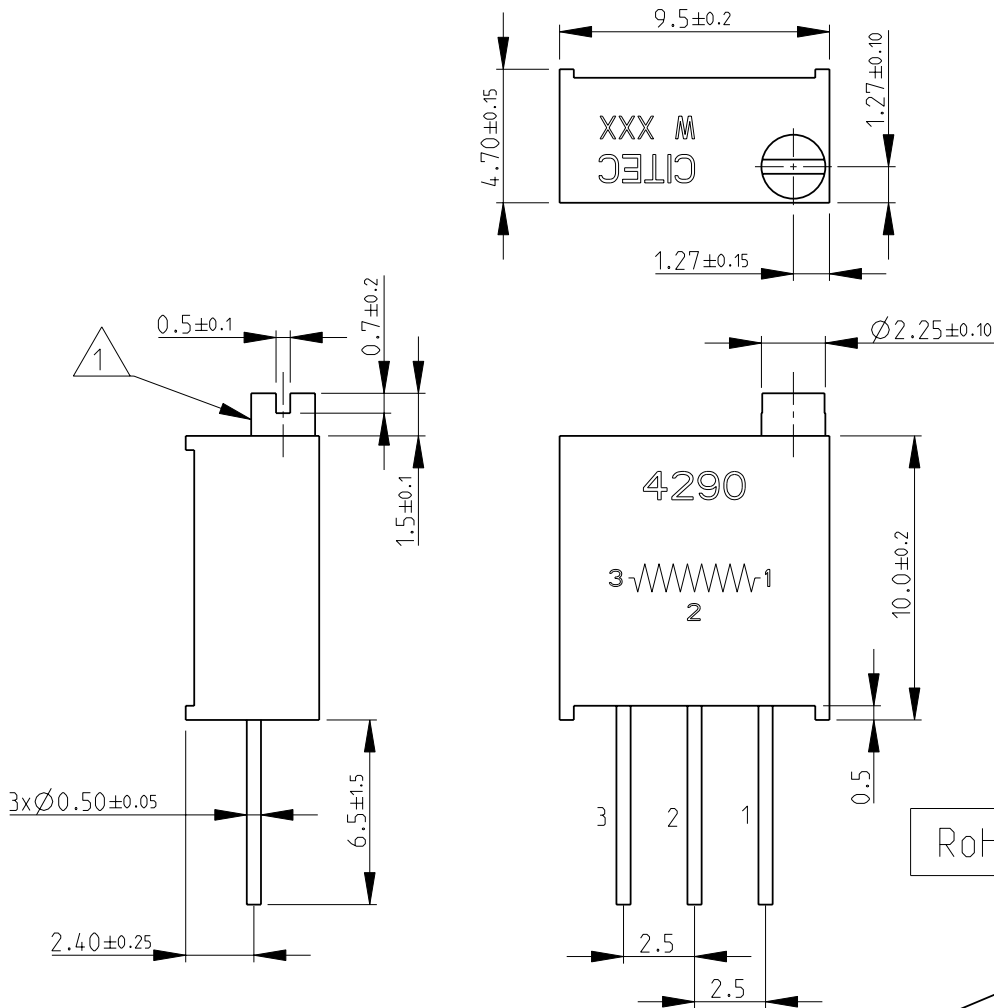
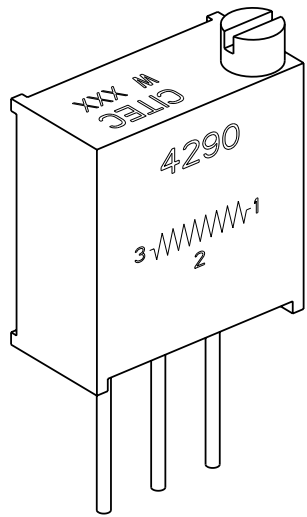


LOC	DIST	REVISIONS				
P	LTR	DESCRIPTION	DATE	DWN	APVD	
E	B	BA	NEW RELEASE	09-Sep-08	SM	St.P

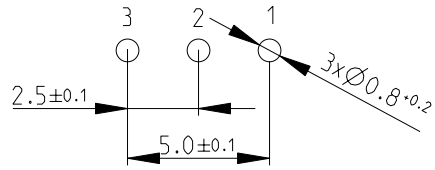


RoHS Compliant



- 1 TOP ADJUSTMENT SCREW
- 2 FOR FURTHER INFORMATION SEE DATA SHEET FOR 4290 SERIES-PROFESSIONAL TRIMMERS

PCB PIERCING PLAN



2008  
RELEASED FOR PUBLICATION  
THIS DRAWING IS UNPUBLISHED.  
© COPYRIGHT 2008 BY TYCO ELECTRONICS CORPORATION. ALL RIGHTS RESERVED.

DIMENSIONS: mm	DWN	DWN	09-Sep-08	MATERIAL	-	FINISH	-
	CHK	CHK	09-Sep-08	Tyco Electronics Corporation Dorcan, Swindon, SN3 5HH			
TOLERANCES UNLESS OTHERWISE SPECIFIED:	APVD	APVD	09-Sep-08				
	0 PLC	±0.5	PRODUCT SPEC	PROFESSIONAL TRIMMERS			
1 PLC	±0.2	APPLICATION SPEC	SERIES 4290W				
2 PLC	±0.1		SIZE	CAGE CODE	DRAWING NO	RESTRICTED TO	
3 PLC	±		A 4	00779	©=1623849	-	
4 PLC	±		WEIGHT		-	SCALE	4:1
ANGLES	±5°		CUSTOMER DRAWING			SHEET	1 OF 1
						REV	BA