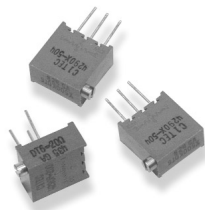


Type 4290 Series



Where size and reliability are critical, this range of 10mm square multiturn trimming potentiometers satisfies the requirements in industrial and professional applications.

The cermet resistance element offers stability and high resolution. The trimmer is actuated by a lead screw with a slipping clutch at each end of travel. Top or side adjustment components are available and pin configurations meet the majority of requirements. All units are fully sealed to withstand immersion in board washing solvents.

Key Features

- High Stability Cermet Element
- 0.5 Watt Rating at 70°C
- Slim Profile Assists Stacking
- Top & Side Adjustment Styles Available
- Flame Retardant Case

Characteristics - Electrical

Resistance Range:	10R to 2M
Resistance Values:	1, 2 and 5 in each decade
Resistance Tolerance:	± 10%
End Resistance:	2 ohms or 1% whichever is greater
Slider Current:	100 mA DC or AC, maximum
Power Rating:	0.5 Watts at 70°C derating to zero at 125°C
Isolation Voltage:	430 V DC or AC peak
Limiting Element Voltage:	300 V DC or AC RMS, maximum
Breakdown Voltage:	900 V AC for one minute
Insulation Resistance:	1000 M at 500 V DC, minimum
Resolution:	Essentially Infinite
Rotational Noise (CRV):	3 Ohms or 1%, whichever is greater
Temperature Coefficient:	± 250 ppm/°C, maximum
Electrical Adjustment:	25 turns

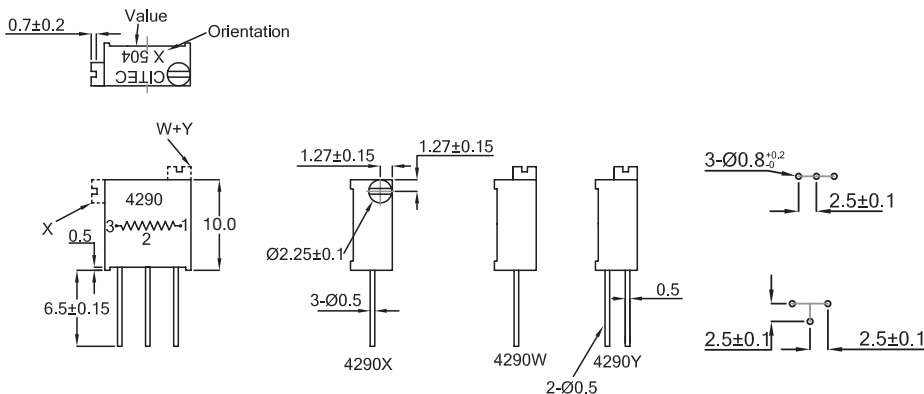
Characteristics - Mechanical

End Stop:	Slipping clutch both ends
Starting Torque:	35 mNm
Weight:	0.8 gram, approx.

Characteristics - Environmental

Temperature Range:	-55°C to +125°C
Temperature Storage:	1000 Hrs at 125°C
Thermal Shock:	5 Cycles -55°C to +125°C
Bump Severity:	4000 Bumps; 40 G (3mm or 390m/s ²)
Vibration Severity:	10 - 500Hz; 20 G
Rotational Life:	200 Cycles
Load Life at 85°C:	ΔR <3% after 1000 hours
Sealing:	Sealed for board washing
Climatic Category:	55/125/21

Dimensions



How to Order

4290	W	502	K
Common Part	Pin Configuration	Resistance Value	Tolerance
4290	W - Top Adjust X - Side Adjust Y - Top Adjust	The first two digits are significant figures of resistance value and the third denotes the number of zeros following. e.g. 1K: 102 10K: 103 100K: 104	K - ±10 %