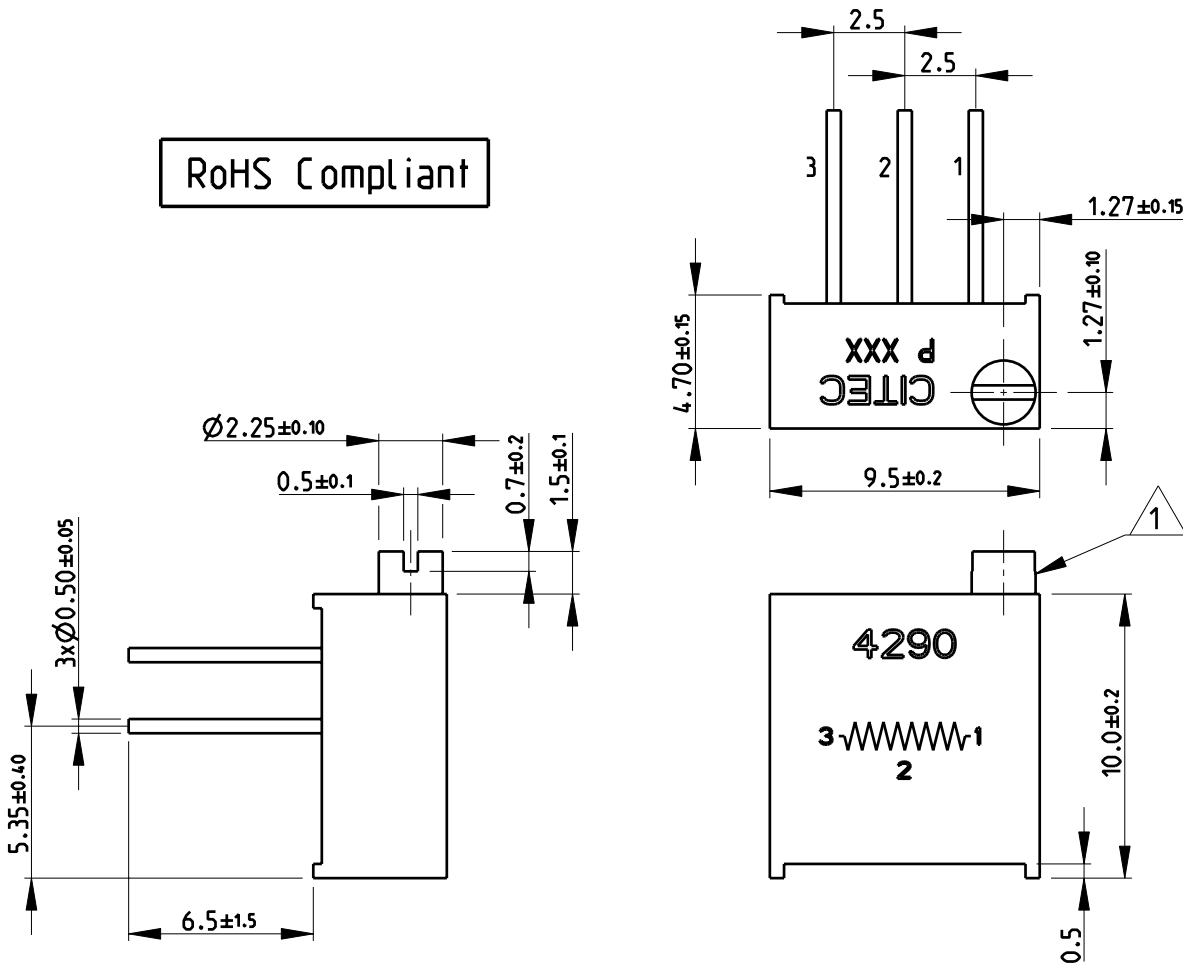


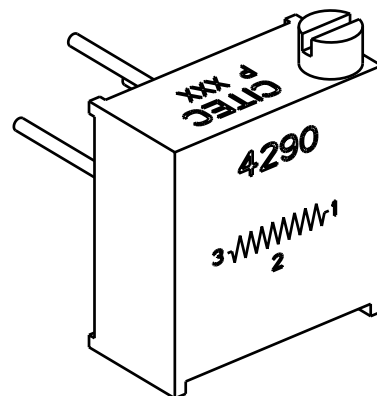
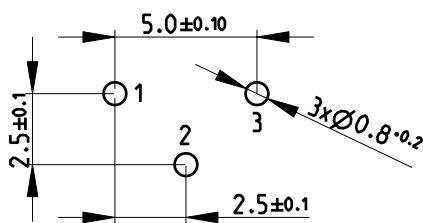
LOC	DIST	REVISIONS				DATE	DWN	APVD
E	B	P	LTR	DESCRIPTION				
		BA		NEW RELEASE		17-NOV-08	SM	St.P

RoHS Compliant



- 1 SIDE ADJUSTMENT SCREW
- 2 FOR FURTHER INFORMATION SEE DATA SHEET FOR 4290 SERIES-PROFESSIONAL TRIMMERS

PCB PIERCING PLAN



2008
RELEASED FOR PUBLICATION
THIS DRAWING IS UNPUBLISHED.
COPYRIGHT 2008 BY TYCO ELECTRONICS CORPORATION. ALL RIGHTS RESERVED.

DIMENSIONS: mm	DWN	17-NOV-08	MATERIAL	FINISH					
	SUBHASH.M		-	-					
TOLERANCES UNLESS OTHERWISE SPECIFIED:	CHK	17-NOV-08	Tyco Electronics Corporation Dorcan, Swindon, SN3 5HH						
	PRAKASH.S								
0 PLC ±0.2	APVD	17-NOV-08	NAME PROFESSIONAL TRIMMERS SERIES 4290P						
1 PLC ±0.1	STEPHEN.P								
2 PLC ±	PRODUCT SPEC	-	SIZE	CAGE CODE	DRAWING NO	RESTRICTED TO			
3 PLC ±	APPLICATION SPEC	-	A 4	00779	©-1623848	-			
4 PLC ±	WEIGHT	0.8g Approx.	SCALE		4:1	SHEET	1 OF 1	REV	BA
ANGLES ±5°	CUSTOMER DRAWING		SCALE		4:1	SHEET	1 OF 1	REV	BA