

4

3

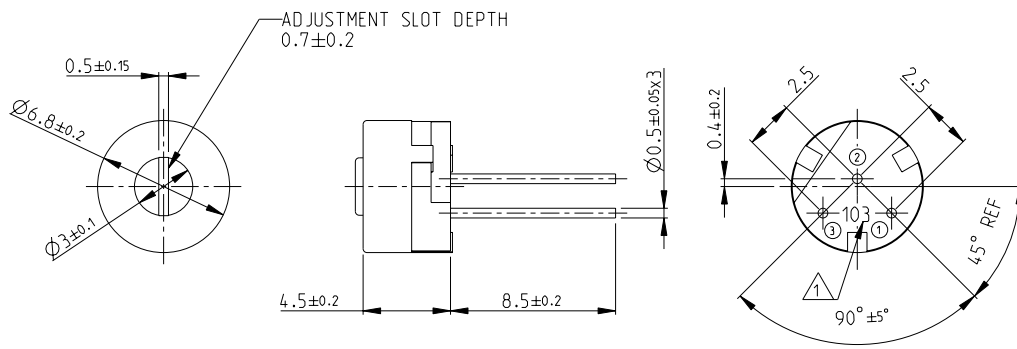
2

1

THIS DRAWING IS UNPUBLISHED. RELEASED FOR PUBLICATION 2008  
 © COPYRIGHT 2008 BY TYCO ELECTRONICS CORPORATION. ALL RIGHTS RESERVED.

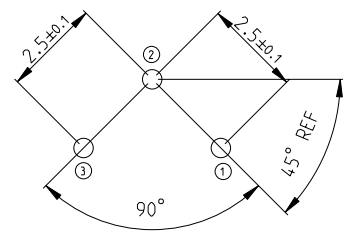
LOC		DIST		REVISIONS			
P	LTR	DESCRIPTION		DATE	DNW	APVD	
A		NEW RELEASE		24-07-08	SM	ST.P	

RESISTANCE CODE MARKING  
 2 FOR FURTHER INFORMATION SEE DATA SHEET FOR  
 470 SERIES-PROFESSIONAL TRIMMERS

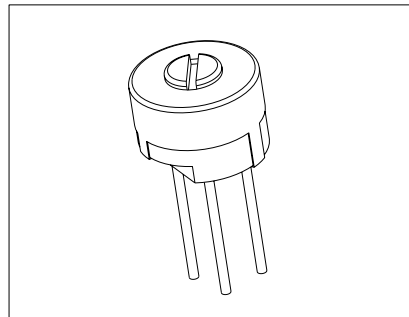


RoHS Compliant

PCB Piercing Plan



SCALE 10:1



<small>THIS DRAWING IS A CONTROLLED DOCUMENT FOR TYCO ELECTRONICS CORPORATION          IT IS SUBJECT TO CHANGE AND THE CONTROLLING ENGINEERING ORGANIZATION          SHOULD BE CONTACTED FOR THE LATEST REVISION.</small>		DWN 24-07-08 CHK SUBHASH.M PRKASH.S 24-07-08 APVD STEPHEN.P 24-07-08 NAME PRODUCT SPEC APPLICATION SPEC WEIGHT CUSTOMER DRAWING	Tyco Electronics Corporation Dorcan, Swindon, SN3 5HH <b>PROFESSIONAL TRIMMERS          SERIES 470</b> SIZE A3 CAGE CODE 00779 DRAWING NO C-1623831 RESTRICTED TO SCALE 5:1 SHEET 1 OF 1 REV A
DIMENSIONS: mm 	TOLERANCES UNLESS OTHERWISE SPECIFIED: 0 PLC ±0.5 1 PLC ±0.2 2 PLC ±0.1 3 PLC ± 4 PLC ± ANGLES ±5° FINISH -	MATERIAL -	