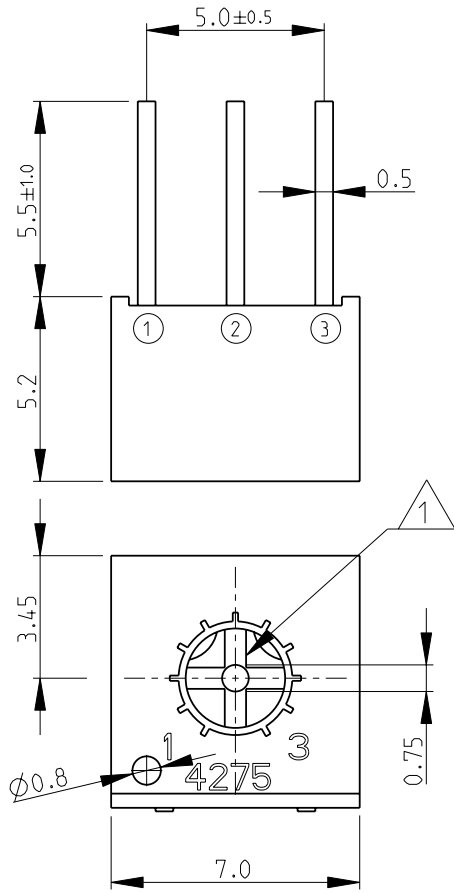
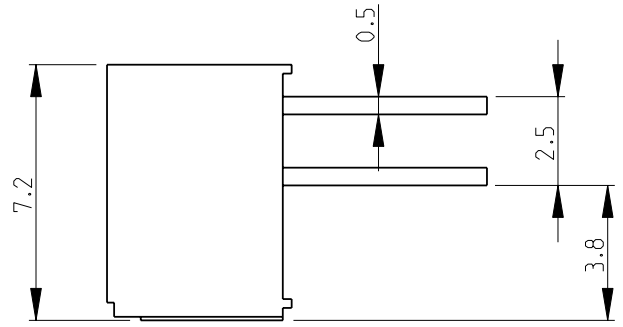


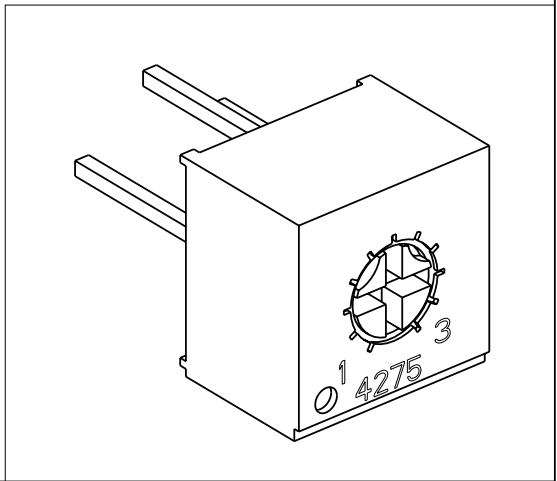
LOC	DIST	REVISIONS				
P	LTR	DESCRIPTION	DATE	DWN	APVD	
E	B	BA	NEW RELEASE	17-NOV-08	SM	St.P



- 1 TOP ADJUSTMENT SLOT:
LENGTH- 2.8mm, WIDTH- 0.6mm, DEPTH- 0.9mm
- 2 FOR FURTHER INFORMATION SEE DATA SHEET FOR
4275 SERIES-PROFESSIONAL TRIMMERS



RoHS Compliant



2008
 RELEASED FOR PUBLICATION
 THIS DRAWING IS UNPUBLISHED.
 © COPYRIGHT 2008 BY TYCO ELECTRONICS CORPORATION. ALL RIGHTS RESERVED.

DIMENSIONS: mm	DWN	SUBHASH.M	17-NOV-08	MATERIAL	-	FINISH	-
	CHK	PRAKASH.S	17-NOV-08	Tyco Electronics Corporation Dorcan, Swindon, SN3 5HH			
TOLERANCES UNLESS OTHERWISE SPECIFIED:	APVD	STEPHEN.P	17-NOV-08				
0 PLC ±0.2	PRODUCT SPEC	-	NAME	PROFESSIONAL TRIMMERS SERIES 4275P			
1 PLC ±0.1	APPLICATION SPEC	-	SIZE	CAGE CODE	DRAWING NO	RESTRICTED TO	
2 PLC ±	WEIGHT	0.6g	A 4	00779	©=1623900	-	
3 PLC ±	CUSTOMER DRAWING			SCALE	5:1	SHEET	1 OF 1
4 PLC ±				REV	BA		
ANGLES ±5°							